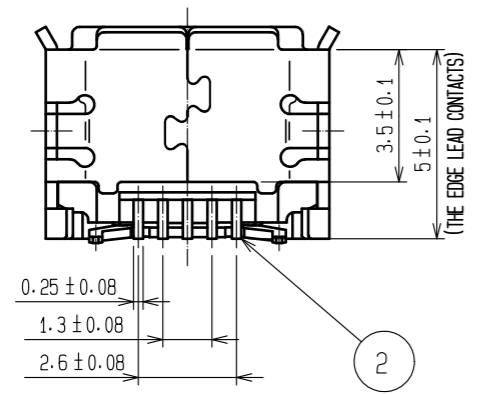
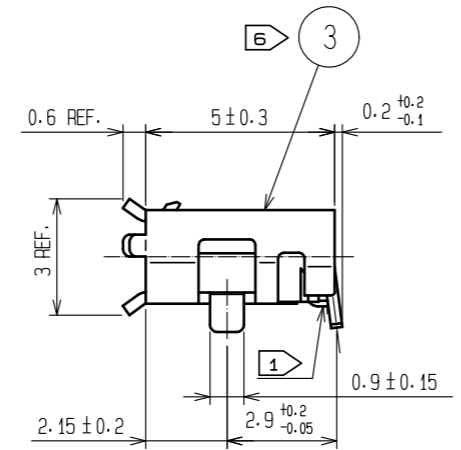
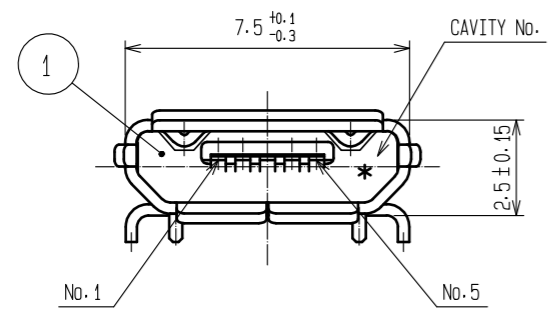
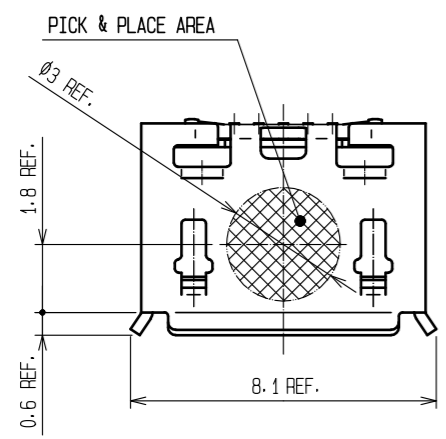
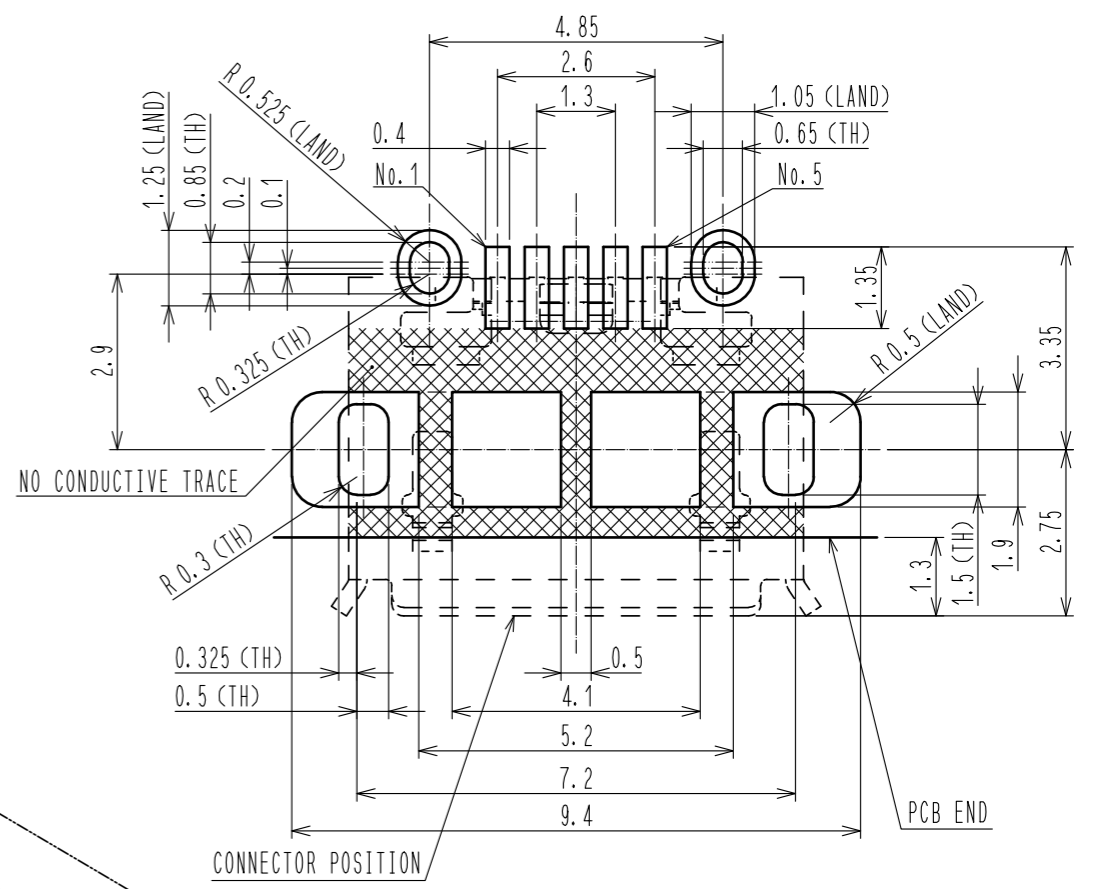


Aug.1.2016 Copyright 2016 HIROSE ELECTRIC CO., LTD. All Rights Reserved.



HRS DRAWING FOR REFERENCE

PCB BOARD PATTERN FOR REFERENCE(FREE)



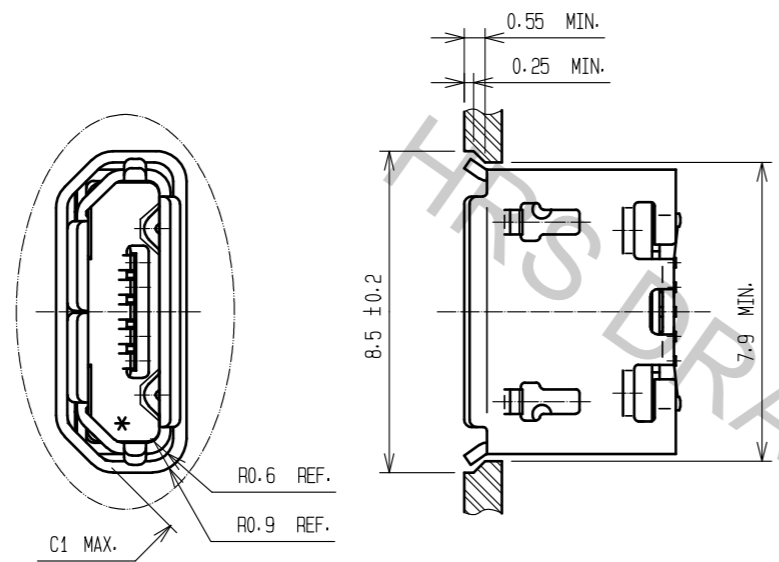
GENERAL TOLERANCE IS ±0.05mm

- NOTES.
- ① CO-PLANARITY IS WITHIN 0.08mm MAX.
 - ② PLATING
CONTACT AREA :GOLD 0.05µm MIN OVER PALLADIUM NICKEL 0.75µm MIN.
LEAD AREA :GOLD 0.05µm MIN.
UNDER PLATING:NICKEL 2µm MIN.
 - ③ PER REEL : 2000 pcs.
 - ④ INTERFACE DIMENSIONS TO USB2.0 SPECIFICATION.
 - ⑤ AS FOR PART No.3, THE PERFORMANCE REMAINS GOOD EVEN IF THERE IS A RUBBING WOUND BY THE ASSEMBLY PROCESS.
 - ⑥ AS FOR PART No.3, THERE IS NO PROBLEM ON THE QUALITY THOUGH THERE MIGHT BE A DIFFERENCE IN THE COLOR DEPENDING ON THE PLATING PROCESSING LOT.

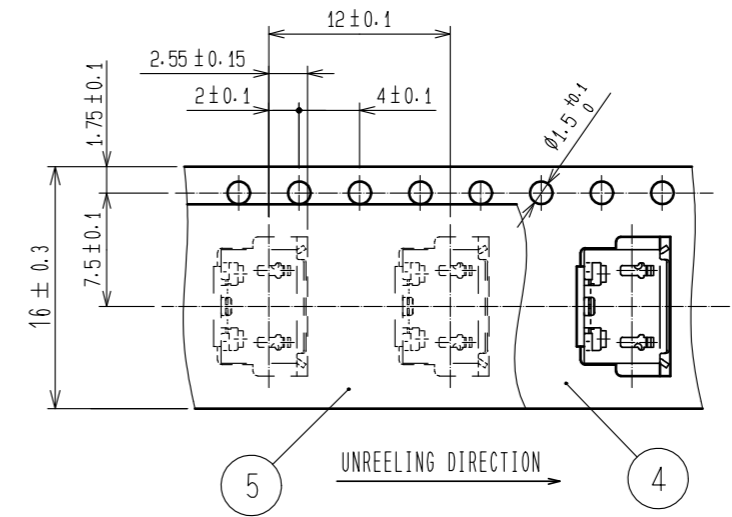
2	COPPER ALLOY	②	5	PE	
1	LCP	BLACK UL94V-0	4	PS	
			3	STAINLESS STEEL	OVER PLATING : TIN 3.8µm MIN. UNDER PLATING : NICKEL 1.25µm MIN. LUBRICANT
NO.	MATERIAL	FINISH . REMARKS	NO.	MATERIAL	FINISH . REMARKS
UNITS	mm	SCALE	5 : 1	COUNT	DESCRIPTION OF REVISIONS
		DESIGNED	DESIGNED		
		CHECKED	CHECKED		
		DATE	DATE		
HRS HIROSE ELECTRIC CO., LTD.		APPROVED : NM. NISHIMATSU	15.10.27	DRAWING NO. EDC-126863-30-00	
		CHECKED : KN. ICHIKAWA	15.10.27	PART NO. ZX62D-B-5PA8(30)	
		DESIGNED : TS. ITO	15.10.27	CODE NO. CL242-0056-3-30	
		DRAWN : AK. AKIYAMA	15.10.27	①/②	

Aug.1.2016 Copyright 2016 HIROSE ELECTRIC CO., LTD. All Rights Reserved.

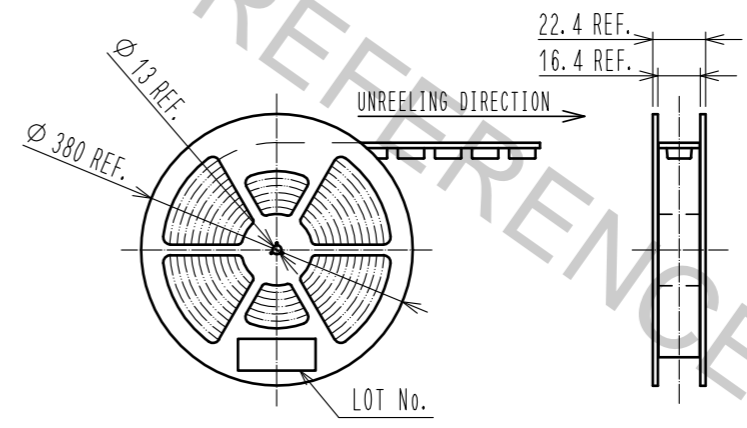
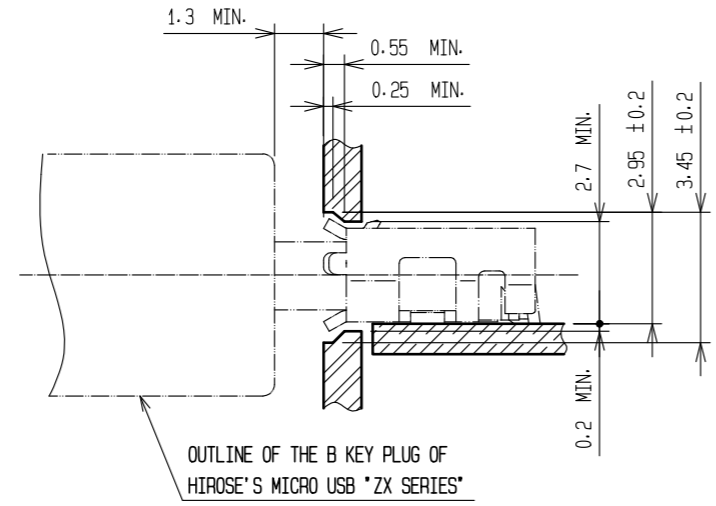
PANEL CUTOUT FOR REFERENCE

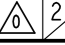
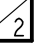


DRAWING FOR PACKING(FREE)



MATED WITH CORRESPONDING PLUG



HRS	DRAWING NO.	EDC-126863-30-00		
	PART NO.	ZX62D-B-5PA8(30)		
	CODE NO.	CL242-0056-3-30		