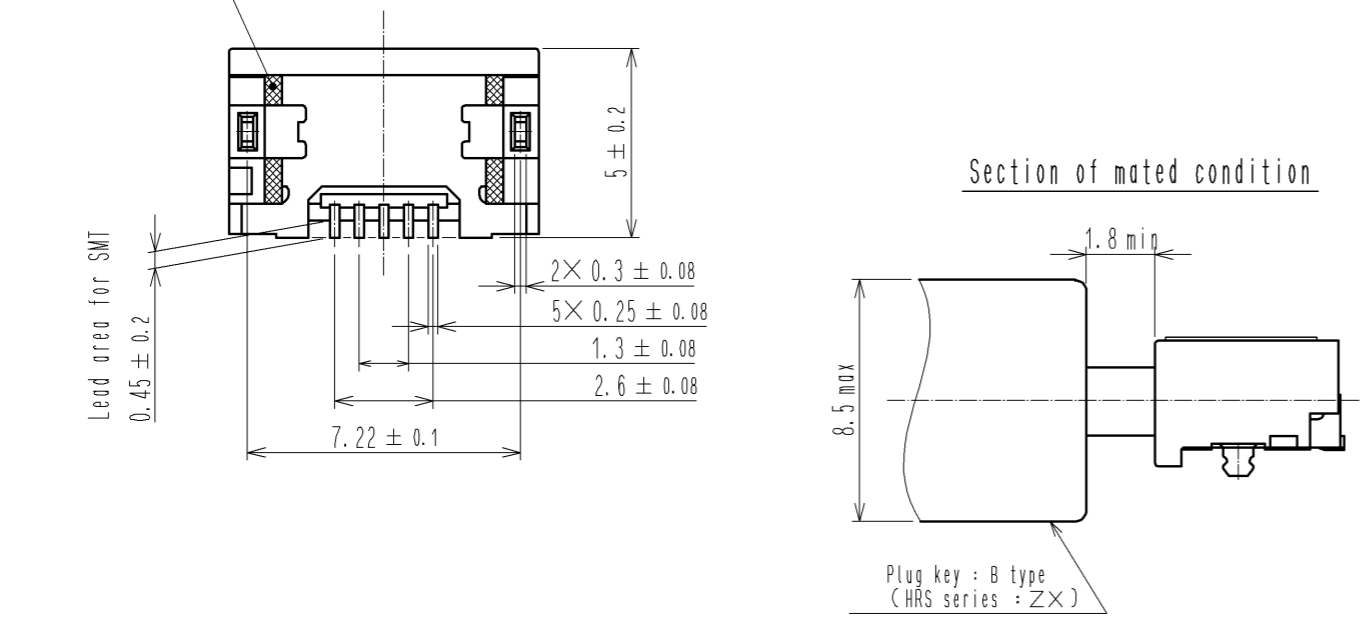
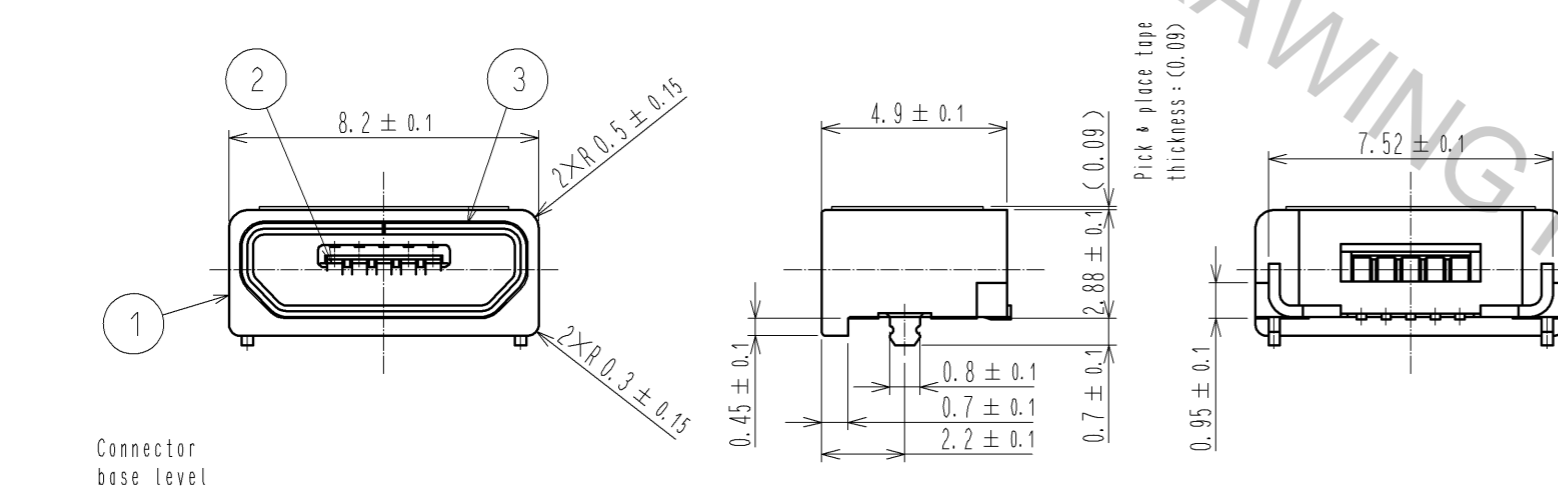
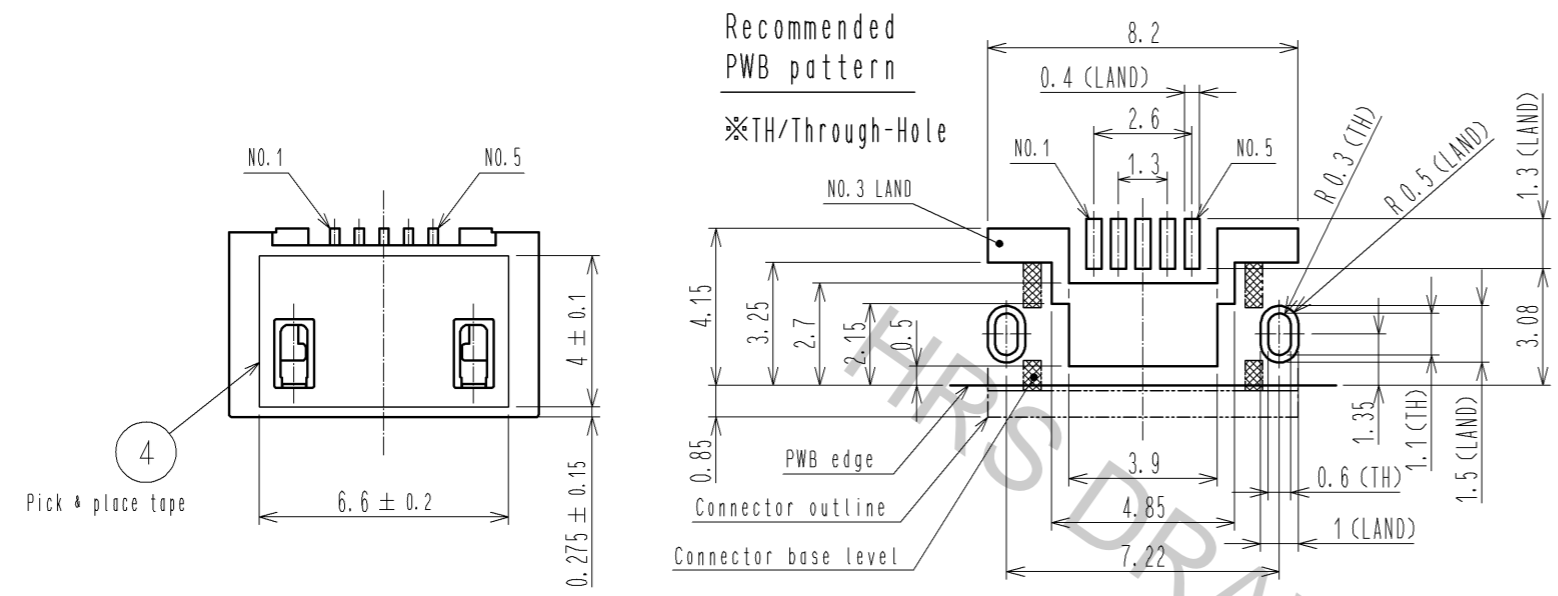


Drawing for packing (FREE)



- Remark) 1. Co-planarity is within 0.08mm
 2. Plating
 Contact area: Palladium -Nickel 0.75um MIN + Gold 0.05um MIN
 Lead area: Gold 0.05um MIN
 Under plating: Nickel 2um MIN
 3. Opening area shape: Conform to USB2.0 standard
 4. Per reel: 3000 pcs

3	Stainless-Steel	Specialty surface finishing	6	PE	Top cover tape
2	Copper-Alloy	2	5	PS	Embossed carrier tape
1	LCP	Black UL94V-0	4	PI	Pick & place tape
NO.	MATERIAL	FINISH . REMARKS	NO.	MATERIAL	FINISH . REMARKS
UNITS mm		SCALE 5 : 1	COUNT	DESCRIPTION OF REVISIONS	
DESIGNED		CHECKED		DATE	
APPROVED : RI. TAKAYASU 11.06.20			DRAWING NO. EDC3-126992-02		
CHECKED : TA. ASO 11.06.20			PART NO. ZX62WD1-B-5PC		
DESIGNED : WR. YAMADA 11.06.20			CODE NO. CL242-0121-3-00		
DRAWN : WR. YAMADA 11.06.20			1/1		