

Ethernet IoT pluggable module

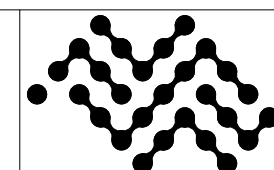
SHEET 1 TABLE OF CONTENTS

SHEET 2 LAN9500 and IoT connector

REFERENCE

1600687 PCA, ETHERNET IoT, PLUGGABLE MODULE
1401092 PCB, ETHERNET IoT, PLUGGABLE MODULE

This document contains information which is proprietary and confidential to Sierra Wireless Inc. Disclosure to Persons other than the officers, employees, agents or subcontractors of the company or licensee of this document without the prior written permission of Sierra Wireless Inc. is strictly prohibited.
Copyright (C) 2014

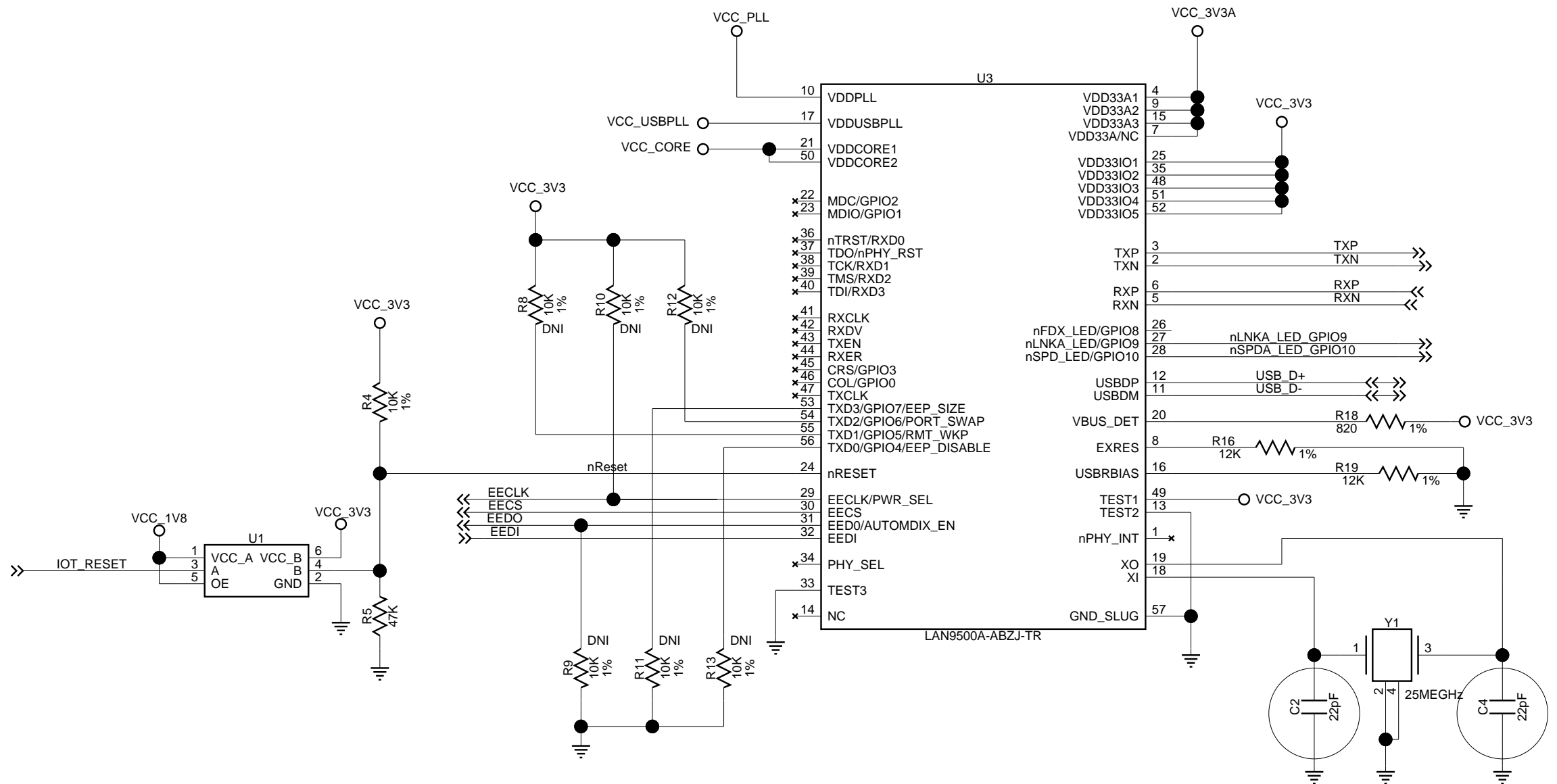


SIERRA WIRELESS™

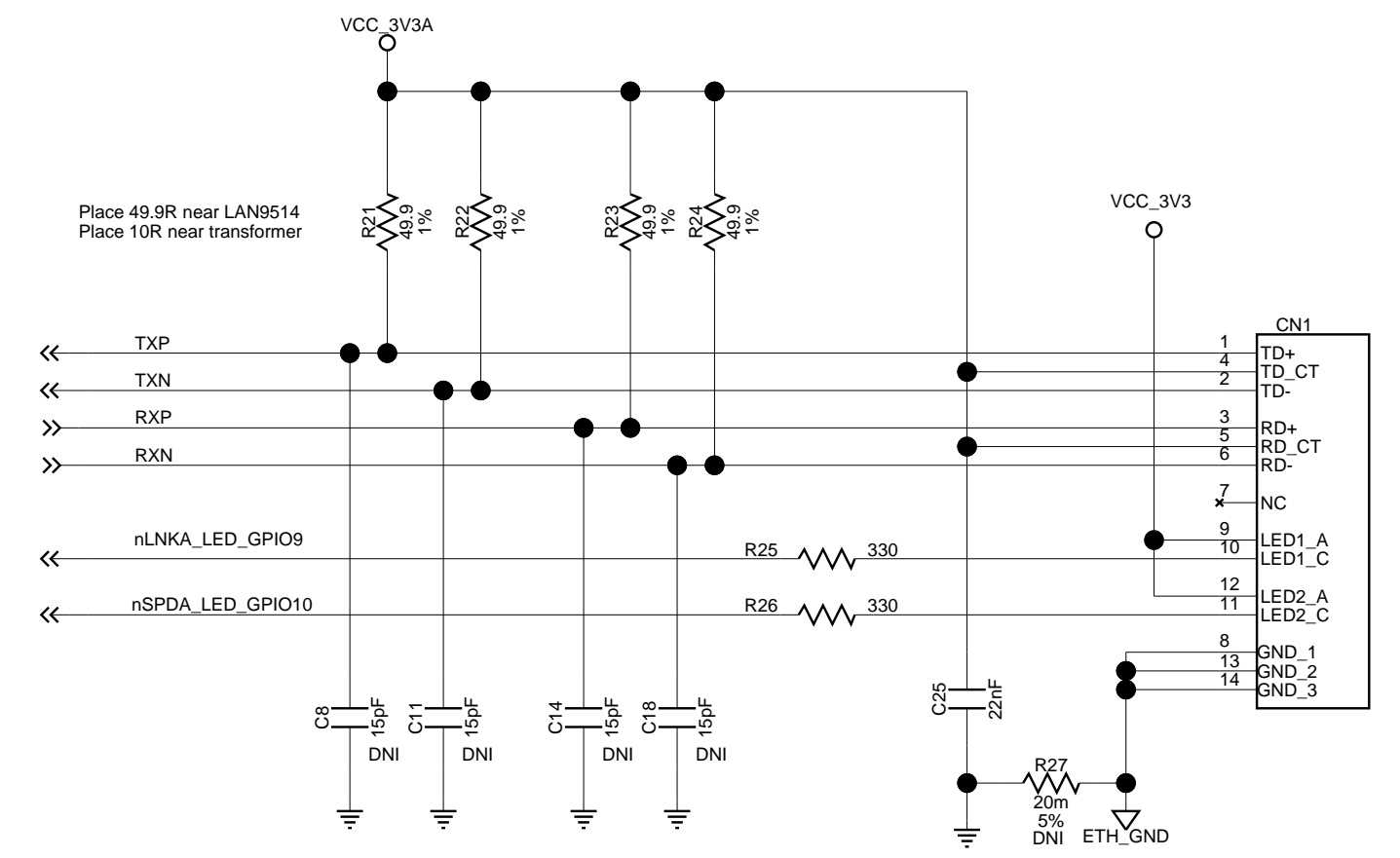
PROJECT	ETHERNET IoT PLUGGABLE MODULE	
SCHMATIC	2500931_1	

SITE	<CTO Office>	
LEAD ENGINEER	M. Tozzini	
REV SCH	1	REV PCB 1
DATE/TIME	14-2-2015_12:07	
PAGE	1 OF 2	

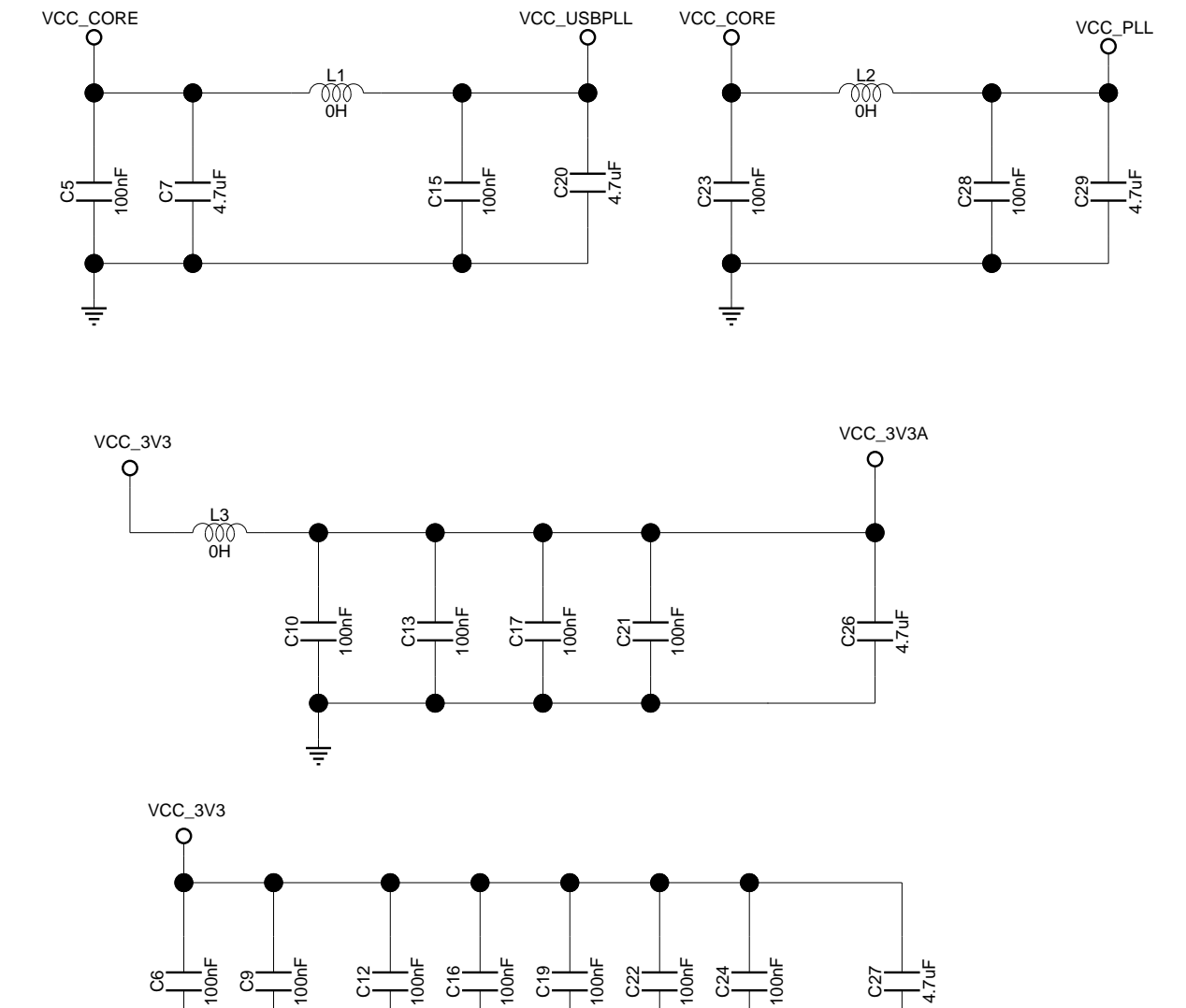
LAN9500A



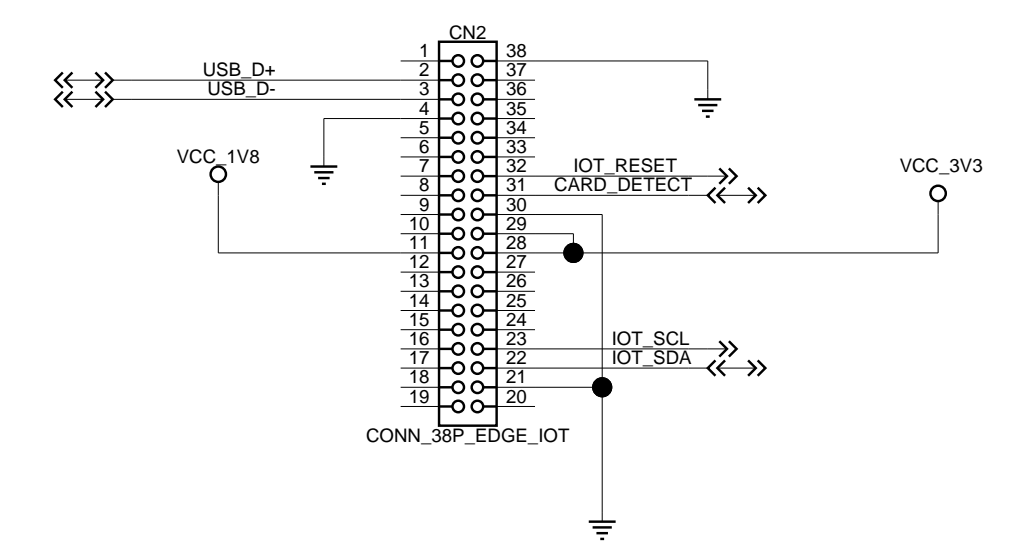
ETHERNET JACK



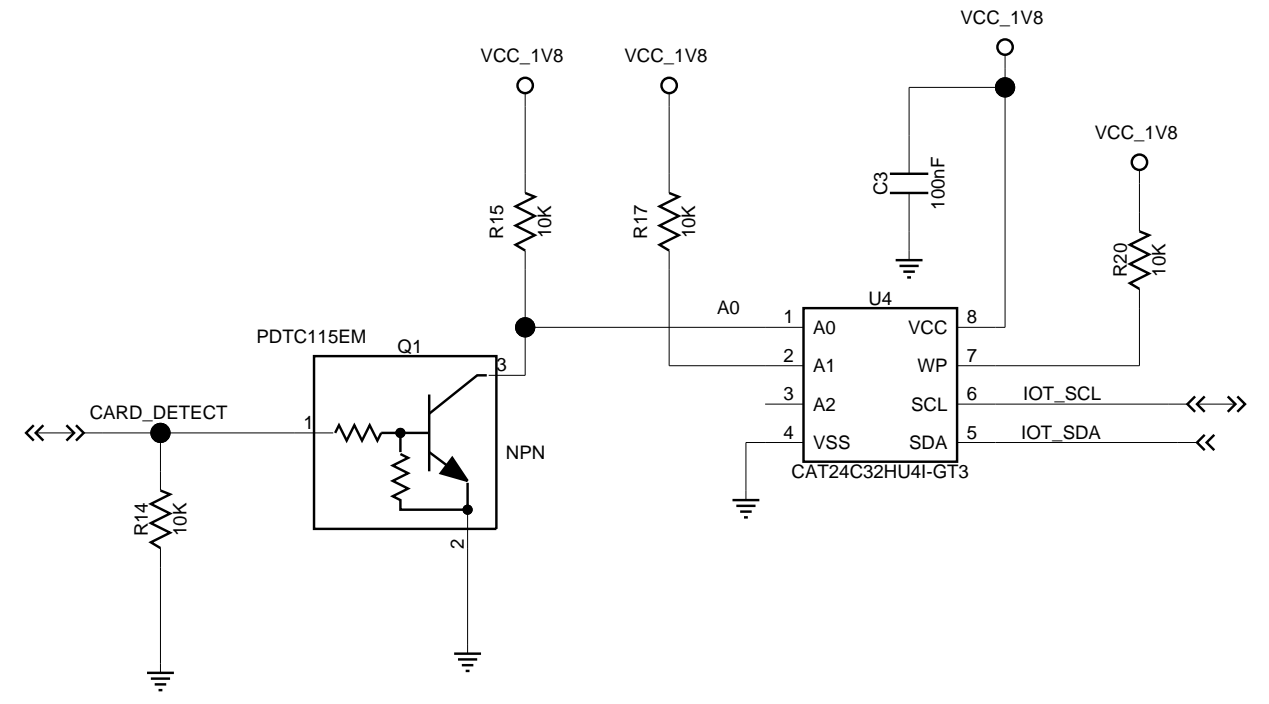
Power Filtering



IoT Card Edge conn.



IoT Module ID



This document contains information which is proprietary and confidential to Sierra Wireless Inc. Disclosure to Persons other than the officers, employees, agent or subcontractors of the company or licensee of this document without the prior written permission of Sierra Wireless Inc. is strictly prohibited.
Copyright (C) 2014

SIERRA WIRELESS™

PROJECT: ETHERNET IoT PLUGGABLE MODULE
SCHEMATIC: 2500931_1

SITE	<CTO Office>	
LEAD ENGINEER	M. TOZZINI	
REV SCH	4	1
DATE TIME	2014-2016_14:15	
PAGE	2 OF 2	