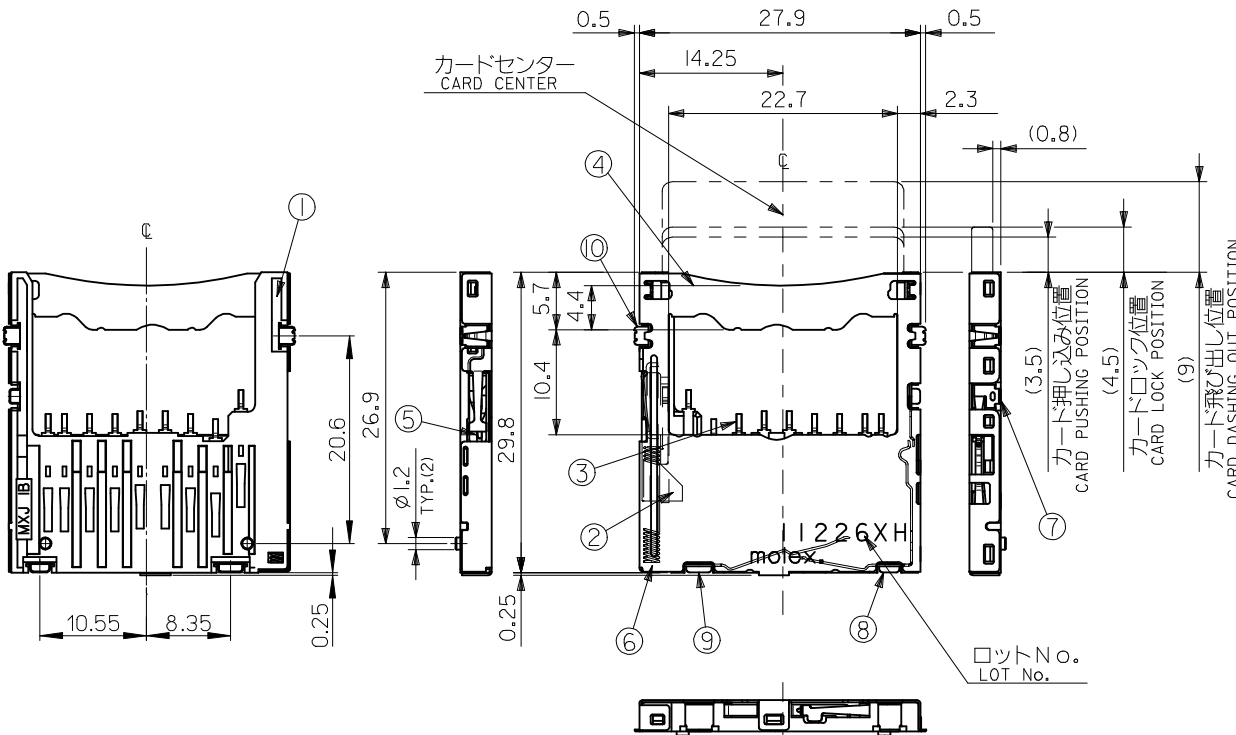
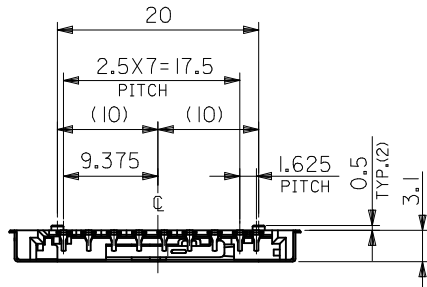


10 9 8 7 6 5 4 3 2 1



NO.	NAME	QT'Y	MATERIAL
①	ハウジング HOUSING	1	耐熱樹脂 , UL 94V-0 色:黒 HEAT RESISTANCE POLYMER ,UL94V-0,BLACK
②	スライダークラム SLIDER CAM	1	耐熱樹脂 , UL 94V-0 色:黒 HEAT RESISTANCE POLYMER ,UL94V-0,BLACK
③	ターミナル TERMINAL	9	銅合金 , 接点部:金メッキ COPPER ALLOY ,SELECTIVE AU PLATING
④	メタルカバー METAL COVER	1	ステンレス鋼 STAINLESS STEEL
⑤	ピン PIN	1	ステンレス鋼 STAINLESS STEEL
⑥	スプリング SPRING	2	ピアノ線 SWP
⑦	プロテクトターミナル PROTECT TERMINAL	1	銅合金 , 接点部:金メッキ COPPER ALLOY ,SELECTIVE AU PLATING
⑧	プロテクト& ディテクトターミナル PROTECT TERMINAL AND DETECT TERMINAL	1	銅合金 , 接点部:金メッキ COPPER ALLOY ,SELECTIVE AU PLATING
⑨	ディテクトターミナル DETECT TERMINAL	1	銅合金 , 接点部:金メッキ COPPER ALLOY ,SELECTIVE AU PLATING
⑩	ネイル NAIL	2	銅合金 , 錫メッキ COPPER ALLOY ,TIN PLATING

NOTES

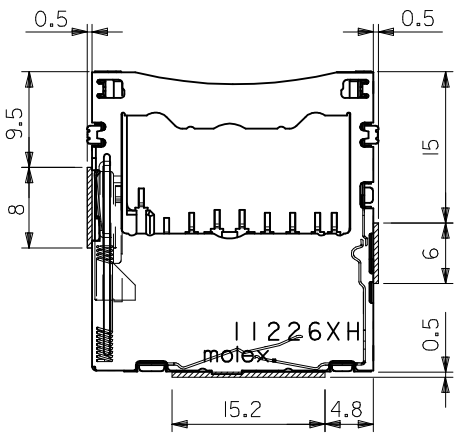
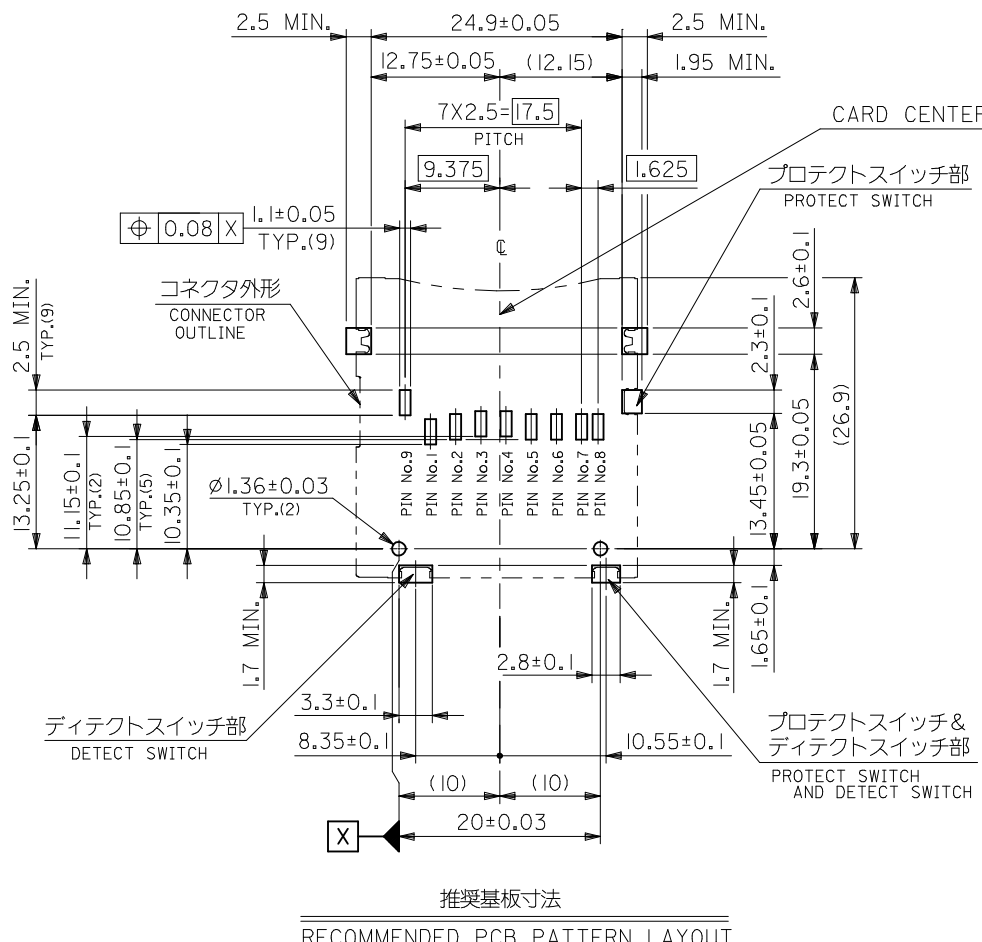
- ターミナル及びネイル平坦度は 0.1 MAX.  
TERMINAL AND NAIL COPLANARITY TO BE 0.1 MAX.
- 各スイッチのオープン/クローズ  
OPENING/CLOSE OF EACH SWITCH

	プロテクトターミナル PROTECT TERMINAL	ディテクトターミナル DETECT TERMINAL
	カード書き込み 禁止状態 WRITE PROTECT POSITION	カード書き込み 可能状態 WRITE ENABLE POSITION
カード未装着状態 CARD UNINSERTION	オープン OPEN	オープン OPEN
カード装着過程 CARD HALF INSERTION	クローズ CLOSE	クローズ CLOSE
カード装着 CARD INSERTION	オープン OPEN	クローズ CLOSE

- 納入時、プッシュ機構はアンロック状態。(カード飛び出し位置)  
WHEN DELIVERING, THE PUSH/PUSH MECHANISM IS IN THE STATE  
OF THE UNLOCK. (CARD DASHING OUT POSITION)

500998-0900	500998-0909
エンボス梱包品 EMBOSSED TRAY PACKAGE	製品番号 (トレイ梱包品) MATERIAL NO. (TRAY PACKAGE)
MODEL NO.: 500998-****	

REVISED EC NO.: J2007-1866 DRWN: MABEL CHKD: XTOYODA APPR: NUKITA 2007/01/17 2007/01/25 2007/01/25 2007/01/25	GENERAL TOLERANCES (UNLESS SPECIFIED)		DIMENSION STYLE <b>MM ONLY</b>	SCALE <b>2:1</b>	DESIGN UNITS <b>METRIC</b>	THIRD ANGLE PROJECTION	
	10 UNDER	±0.2	DRAWN BY YSUGIURA	DATE 2004/12/07	TITLE <b>SD CARD CONN. ASS'Y (NOMAL TYPE) -LEAD FREE-</b>		
	10 OVER 30 UNDER	±0.25	CHECKED BY MTANAKA	DATE 2004/12/07	MOLEX INCORPORATED		
	30 OVER	±0.3	APPROVED BY NUKITA	DATE 2004/12/07	MATERIAL NO. <b>SEE CHART</b>	DOCUMENT NO. <b>SD-500998-001</b>	SHEET NO. <b>1 OF 2</b>
	ANGULAR	±3 °	MATERIAL NO. <b>SEE CHART</b>				
DRAFT WHERE APPLICABLE MUST REMAIN WITHIN DIMENSIONS		THIS DRAWING CONTAINS INFORMATION THAT IS PROPRIETARY TO MOLEX INCORPORATED AND SHOULD NOT BE USED WITHOUT WRITTEN PERMISSION					



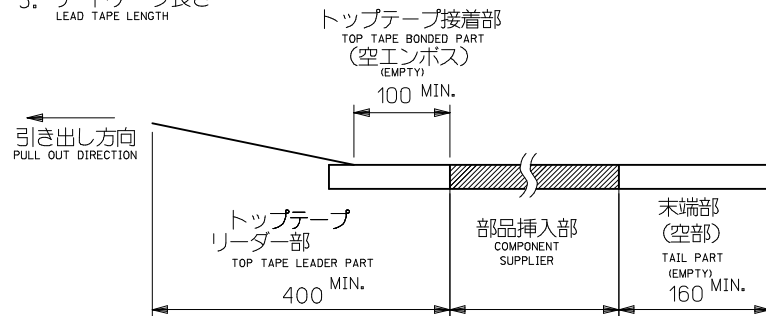
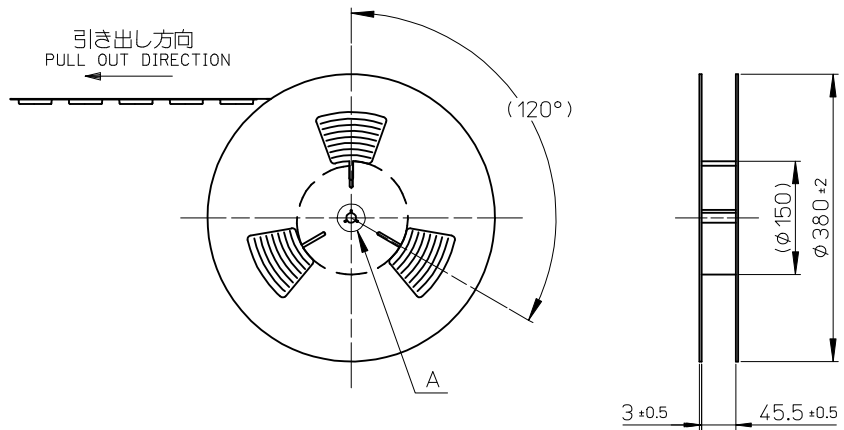
部品実装禁止エリア  
AREA OF PARTS MOUNTING PROHIBITION

推奨基板寸法  
RECOMMENDED PCB PATTERN LAYOUT

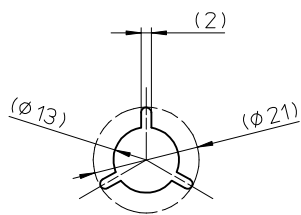
REVISED EC NO. J2007-1866 DRWN:MMABEL 2007/01/17 CHKD:KTOYODA 2007/01/25 APPR:NUKITA 2007/01/25 REV C	GENERAL TOLERANCES (UNLESS SPECIFIED)		DIMENSION STYLE MM ONLY	SCALE 2:1	DESIGN UNITS METRIC	THIRD ANGLE PROJECTION
	10 UNDER	± 0.2	DRAWN BY YSUGIURA	DATE 2004/12/07	TITLE SD CARD CONN. ASS'Y (NOMAL TYPE) - LEAD FREE -	
	10 OVER 30 UNDER	± 0.25	CHECKED BY MTANAKA	DATE 2004/12/07	MOLEX INCORPORATED DOCUMENT NO. SD-500998-001 SHEET NO. 2 OF 2	
	30 OVER	± 0.3	APPROVED BY NUKITA	DATE 2004/12/07		
ANGULAR ± 3 ° DRAFT WHERE APPLICABLE MUST REMAIN WITHIN DIMENSIONS		MATERIAL NO. SEE SHEET 1 OF 2	THIS DRAWING CONTAINS INFORMATION THAT IS PROPRIETARY TO MOLEX INCORPORATED AND SHOULD NOT BE USED WITHOUT WRITTEN PERMISSION			

注)

- 1. 製品番号 500998-0909 の詳細寸法については、SD 図面を参照下さい。  
IN THE PACKAGE, PART NO. 500998-0909 DETAILED DIMENSIONS, SEE SALES DRAWING.
- 2. 梱包数量 : 400 個/リール  
NUMBER OF CONNECTORS: 400 PCS/REEL
- 3. リードテープ長さ  
LEAD TAPE LENGTH



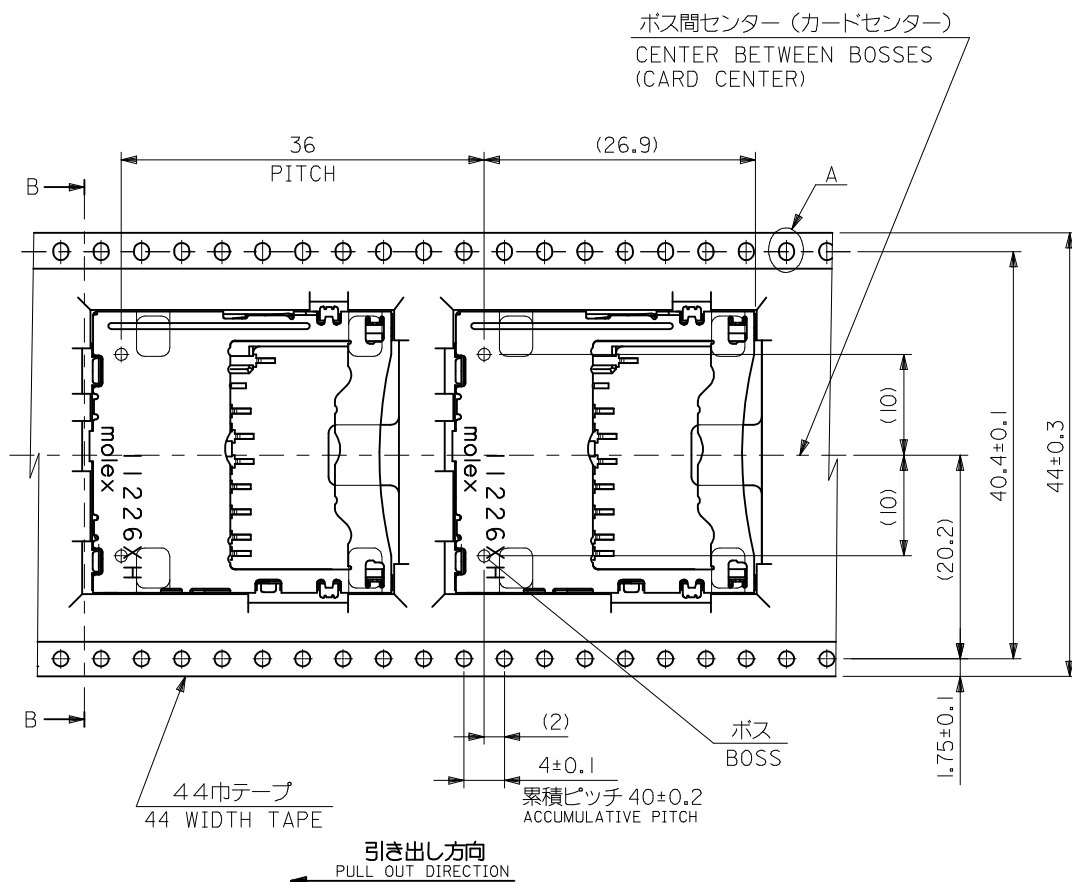
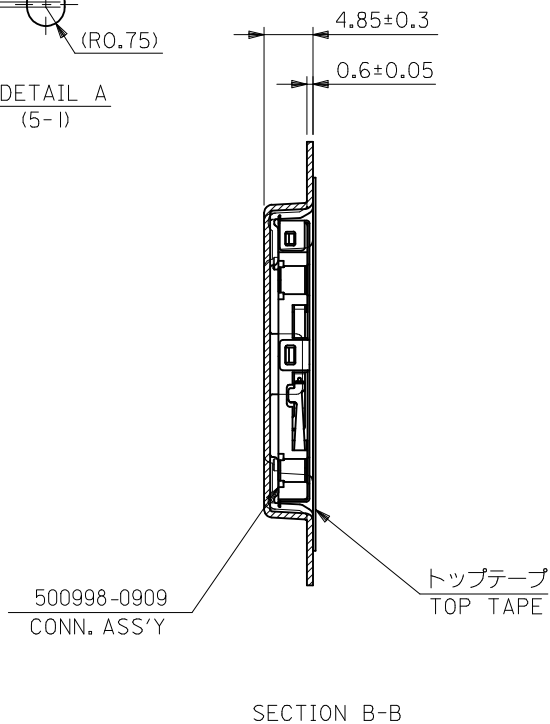
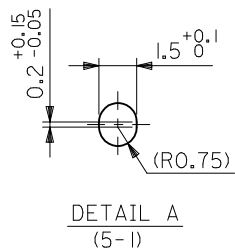
- 4. 材料  
MATERIAL  
キャリアテープ : ポリプロピレン (PP)  
CARRIER TAPE : POLYPROPYLENE (PP)  
トップテープ : PET, PE, PEF  
TOP TAPE : PET, PE, PEF  
リール : 紙/プラスチック  
REEL : CARD BOARD/PLASTIC



DETAIL A  
SCALE 1:1

500998-0900	500998-****
MATERIAL No.	MODEL No.

REVISED EC NO.: J2006-3331 DRWN: Y. TAKEMOTO 2006/04/25 CHKD: MTANAKA 2006/04/26 APPR: NUKITA 2006/05/01	GENERAL TOLERANCES (UNLESS SPECIFIED)		DIMENSION STYLE <b>MM ONLY</b>		SCALE ---	DESIGN UNITS METRIC		THIRD ANGLE PROJECTION	
			10 UNDER ±0.2		DRAWN BY: Y. SUGIURA DATE: 2004/12/10		TITLE EMBOSS TAPE PACKAGE FOR 500998-0909 - LEAD FREE -		
	10 OVER 30 UNDER ±0.25		CHECKED BY: MTANAKA DATE: 2004/12/10		MOLEX MOLEX INCORPORATED				
	30 OVER ±0.3		APPROVED BY: NUKITA DATE: 2004/12/10				MATERIAL NO. SEE CHART		DOCUMENT NO. SD-500998-007
ANGULAR ±3 °		DRAFT WHERE APPLICABLE MUST REMAIN WITHIN DIMENSIONS		SIZE A3		THIS DRAWING CONTAINS INFORMATION THAT IS PROPRIETARY TO MOLEX INCORPORATED AND SHOULD NOT BE USED WITHOUT WRITTEN PERMISSION			



<b>REVISED</b> EC NO.: J2006-3331 DRWN: TAKEMOTO 2006/04/25 CHKD: MTANAKA 2006/04/26 APPR: NUKITA 2006/05/01		GENERAL TOLERANCES (UNLESS SPECIFIED)		DIMENSION STYLE MM ONLY		SCALE ---	DESIGN UNITS METRIC	THIRD ANGLE PROJECTION	
		10 UNDER	±0.2	DRAWN BY YSUGIURA	DATE 2004/12/10	TITLE <b>EMBOSS TAPE PACKAGE FOR 500998-0909 - LEAD FREE -</b> MOLEX INCORPORATED			
		10 OVER 30 UNDER	±0.25	CHECKED BY MTANAKA	DATE 2004/12/10				
		30 OVER	±0.3	APPROVED BY NUKITA	DATE 2004/12/10				
ANGULAR ±3 ° DRAFT WHERE APPLICABLE MUST REMAIN WITHIN DIMENSIONS		MATERIAL NO. SEE SHEET 1 OF 2		DOCUMENT NO. SD-500998-007		SHEET NO. 2 OF 2			
SIZE <b>A3</b> THIS DRAWING CONTAINS INFORMATION THAT IS PROPRIETARY TO MOLEX INCORPORATED AND SHOULD NOT BE USED WITHOUT WRITTEN PERMISSION									