

### SPECIFICATIONS

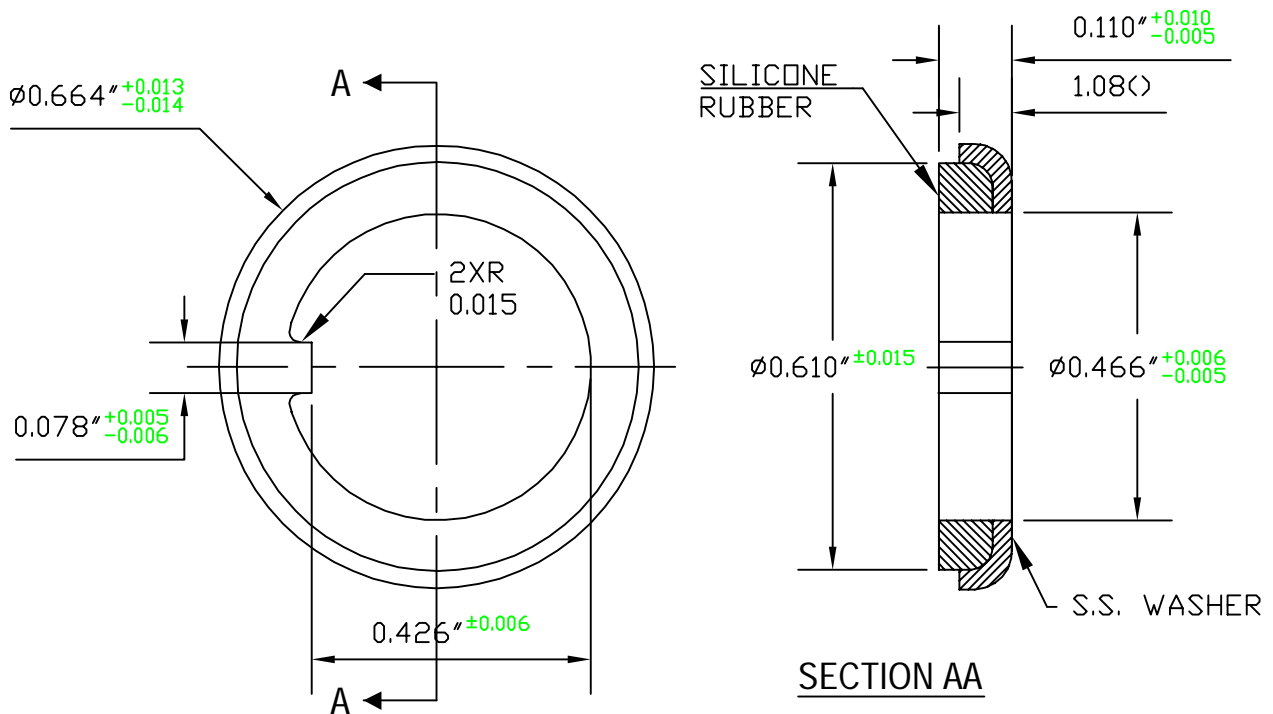
**Mounting:** Either Front or Behind Panel

**Temperature Range:** -94° to +400°F

**Shelf-Life:** in excess of 25 years

**Material:** Stainless steel with bonded silicone rubber conforms to A-A-59588 Class 3

**Resistant To:** Salt spray, sunlight, ozone, weather, fungus, and acids and lubricating oils.



REV.	DESCRIPTION	DATE
B	REDRAWN and MAT'L CHANGED	05.19.09
A	CAD COMPUTER GENERATED	01.10.03
TITLE: PANEL BUSHING SEAL FOR SEALED SWITCHES/CIRCUIT BREAKERS		DATE
MAXIMUM AND MINIMUM MEASUREMENTS ARE STATED DIRECTLY ON EACH DIMENSION.		ENG. DWN. K.S. 10.10.01
MAT'L: GRAY SILICONE RUBBER		CHKD. J. CELLA 05.19.09
FINISH: S.S. WASHER		SCALE: NONE
APM-HEXSEAL CORPORATION		DWG. NO. 60225

THIS DRAWING COVERS PROPRIETARY ITEM AND IS THE PROPERTY OF THE APM-HEXSEAL CORPORATION. THIS DRAWING IS NOT TO BE COPIED OR USED WITHOUT THE WRITTEN APPROVAL OF AN OFFICER OF THE APM-HEXSEAL CORPORATION.