

6

5

4

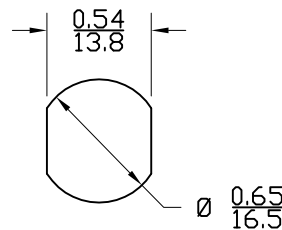
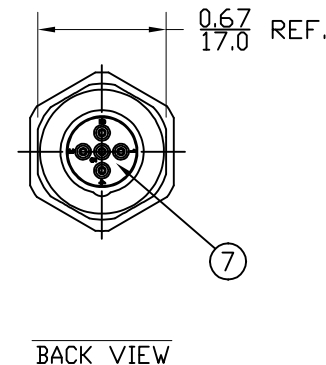
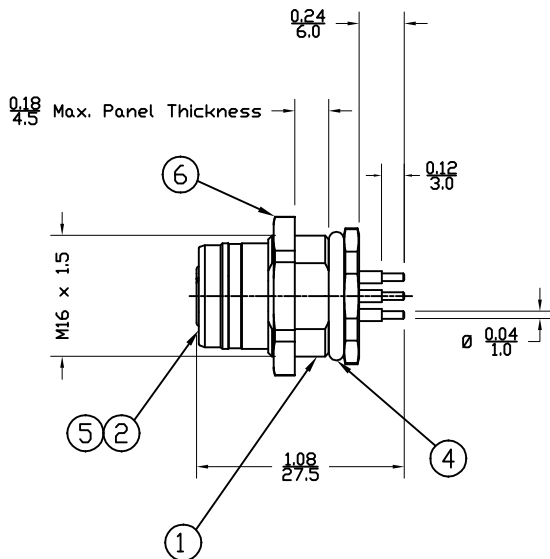
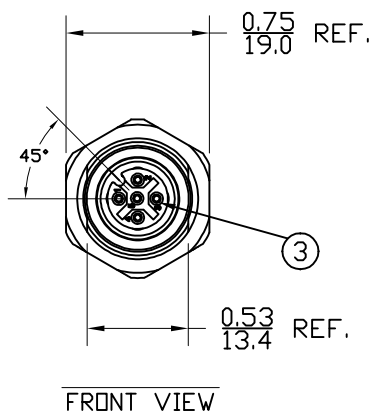
3

2

1

SAP P/N#	ENGINEERING NO.
1200840030	WR5U40000

AUX VIEW
SCALE 3:4



- NOTES:
1. MATERIAL: SEE TABLE
 2. FINISHES: SEE TABLE
 3. MATES WITH: M12 MALE CORD ASSY
 4. ELECTRICAL SPECIFICATIONS:
VOLTAGE RATING: 60V AC/DC
CURRENT RATING: 4 AMPS
 5. ASSEMBLY IS RoHS COMPLIANT

ITEM	QTY.	DESCRIPTION	MATERIAL	FINISH
7	1	POTTING MATERIAL	EPDXY	
6	1	PANEL NUT, M16 X 1.5	Cu ALLOY	NICKEL PLATED
5	1	O-RING	VITON	RED
4	1	O-RING	NITRILE	BLACK
3	5	SOCKET CONTACT	Cu ALLOY	GOLD PLATED
2	1	INSERT	NYLON	BLACK
1	1	RECEPTACLE SHELL	BRASS	NICKEL PLATED

SD RELEASE EC NO: WEL2010-0046 DRWN: VOU 8/28/09 CHKD: BWOODMAN09/08/31 APPR: JFMURPHY 2009/08/31	QUALITY SYMBOLS ▽=0 ∇=0	GENERAL TOLERANCES (UNLESS SPECIFIED)		DIMENSION STYLE INCH/MM		SCALE 1:1	DESIGN UNITS INCH	THIRD ANGLE PROJECTION	
		4 PLACES	±----	±----	DRAWN BY VOU	DATE 2009/08/28	TITLE ULTRA-LOCK RECPT BPM M16 FEMALE 5P M12 A-CODE PCB MOUNT		
		3 PLACES	±----	±0.005	CHECKED BY	DATE			
		2 PLACES	±----	±0.010	APPROVED BY JFMURPHY		DATE 2009/08/28	MOLEX INCORPORATED	
1 PLACE	±----	±0.020	MATERIAL NO.		DOCUMENT NO. SD-120084-009	SHEET NO. 1 OF 1			
DRAFT WHERE APPLICABLE MUST REMAIN WITHIN DIMENSIONS				SEE CHART		THIS DRAWING CONTAINS INFORMATION THAT IS PROPRIETARY TO MOLEX INCORPORATED AND SHOULD NOT BE USED WITHOUT WRITTEN PERMISSION			

6

5

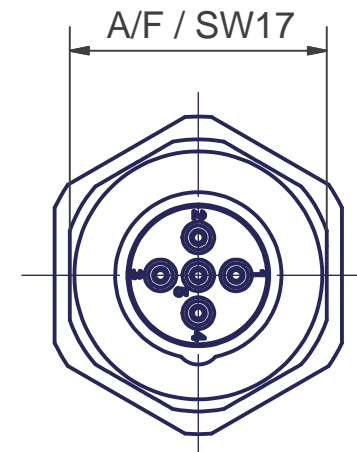
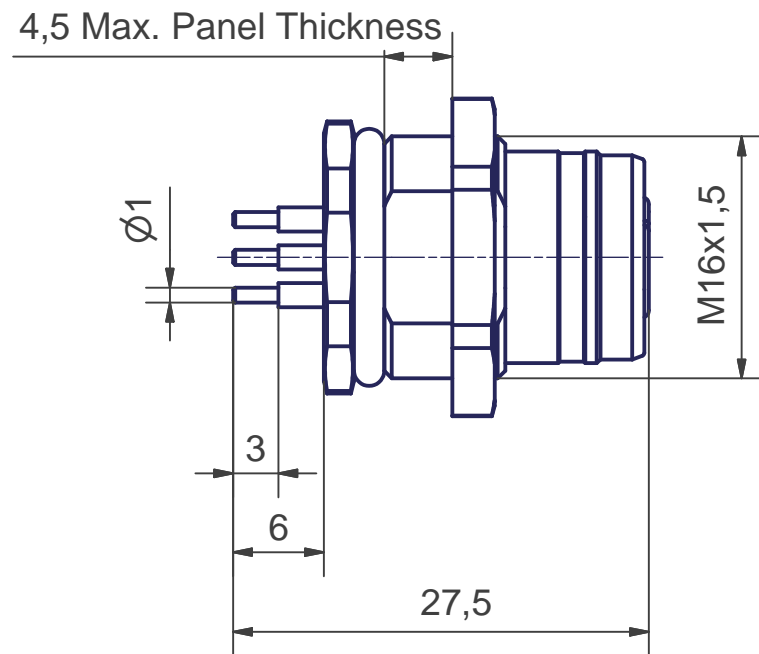
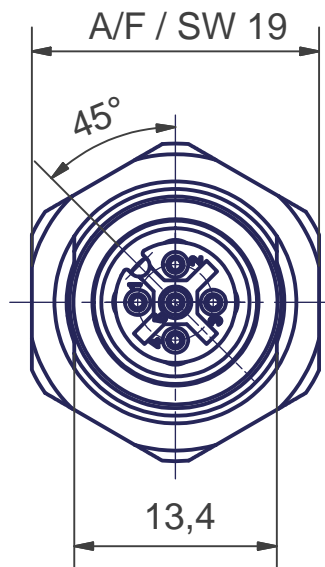
4

3

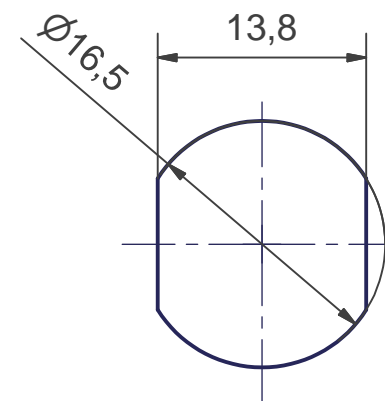
2

1

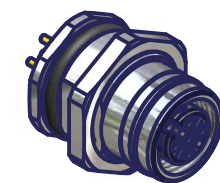
Art. Nr. / p/n	SAP Nr.
WR5U40000	1200840030



Typical Knockout



(1:1)



Allgemeine Kennwerte General Characteristics		Norm Standard	
Polzahl	Number of contacts	IEC 947-5-2	5
Bemessungsspannung	Rated Voltage	IEC 664	60V AC / DC
Verschmutzungsgrad	Pollution Degree	IEC 664	3
Betriebsstrom	Current carrying capacity	IEC 512-3 Test 5 b	4A
Durchgangswiderstand	Contact Resistance	IEC 512-2 Test 2 A	< 5mΩ
Bemessungsstoßspannung	Rated Impulse	IEC 664	2kV
Prüfspannung	Test Voltage	IEC 60512-2 Test 4 A	1 kV / 60 sec
Isolationswiderstand	Insulation Resistance	IEC 512-2 Test 3 A	< 10 GΩ
IP - Schutzart	IP Degree Of Protection	IEC 529	IP 67
Stift Durchmesser	Pin Diameter		1,0mm
Werkstoffe	Kontakte	Materials	Kupferlegierung / copper alloy
	Kontaktoberfläche		Au/Ni
	Kontaktträger		PA 6.6
	Dichtung (O-Ring)		NBR
	Gehäuse		CuZn (brass) mit Ni-Oberfläche Nickel Plated
Anschlußart	Termination		Solder
Brennbarkeit	Kontaktträger	Flammfähigkeit	UL 94
	Leitung / Kabel		V-0
Mechanische Lebensdauer	Mechanical Operation		500 Steckzyklen / Mating Cycles
Temperaturbereich	Temperature Range	IEC 60668-1	-25°C / +90°C

This drawing and its contents are the proprietary and confidential property of Woodhead Industries Inc. and/or its subsidiaries and may not be used or disclosed to others without the express prior written consent of Woodhead Industries Inc. and/or its subsidiaries.			
 PROJECTION 1 : GER		UNLESS OTHERWISE SPECIFIED x = ± 1 X.X = ± 0,1 X.XX = ± 0,05 Winkel = 1°	Scale 2:1 (1:1) Dimensions mm Material Finish
		Date Name PROC 20.11.2007 US CHK 20.11.2007 NS Norm. 20.11.2007 NS	M12U Rec 5-P Female Back Shielded M16x1,5
		Woodhead Connectivity GmbH Gewerbestraße 60 75015 Bretten-Gölshausen Tel.: 07252/9496-0 Fax: 07252/9496-199	
01	WEU2009-0056	20.11.07	US
Rev.	Change	Date	Name
SD-WR5U40000			Sheet 1
Filename SD-WR5U40000.idw			A3