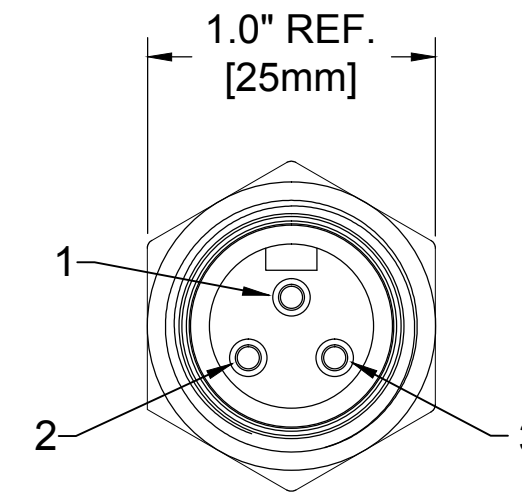
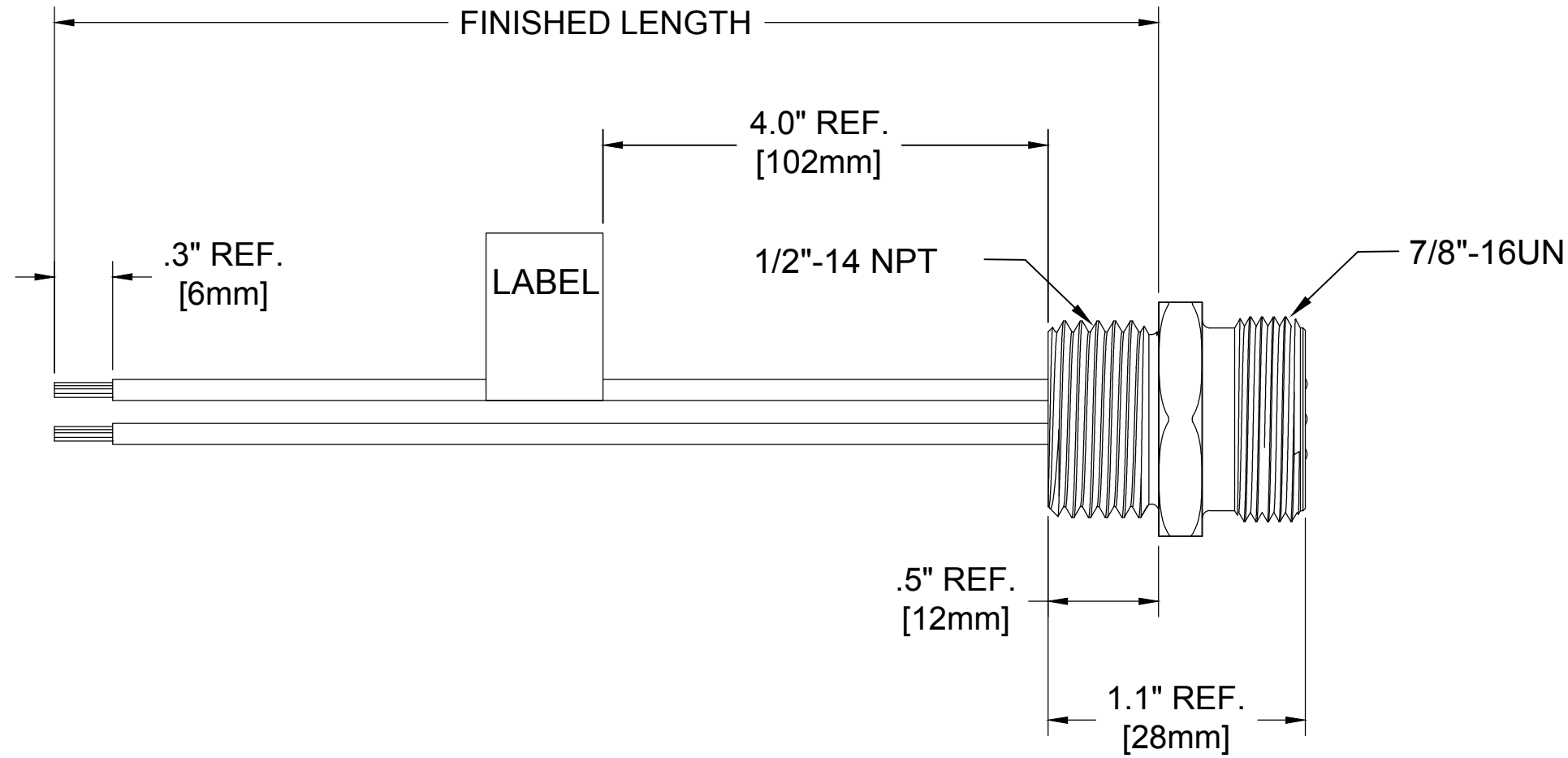


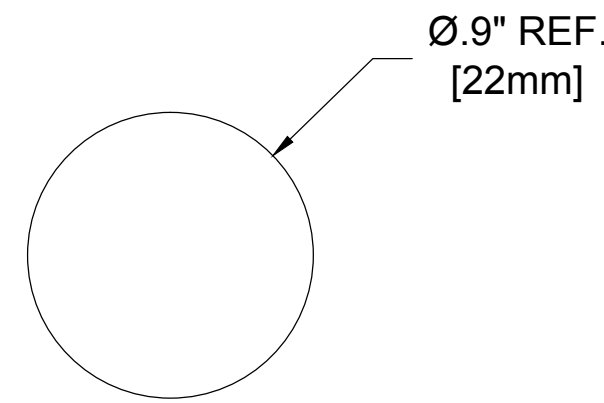
MATERIAL NUMBER	OLD PART NUMBER	FINISHED LENGTH
130013-0201	1R3006A20A060	6.00" +.75" -0 [.2M +19.1 -0]
130013-0202	1R3006A20A120	12.00" +1.75" -0 [.3M +44.5 -0]
130013-0211	1R3006A20F030	3.00' +2.19" -0 [.9M +55.6 -0]
130013-0215	1R3006A20F060	6.00' +3.50" -0 [1.8M +88.9 -0]



1	GREEN-YELLOW
2	BLACK
3	WHITE

WIRING DIAGRAM

MALE FACE VIEW



KNOCKOUT HOLE

1R3006A20A060

cable type
16 AWG
PVC

cable length
060----6 Inches
120----12 Inches

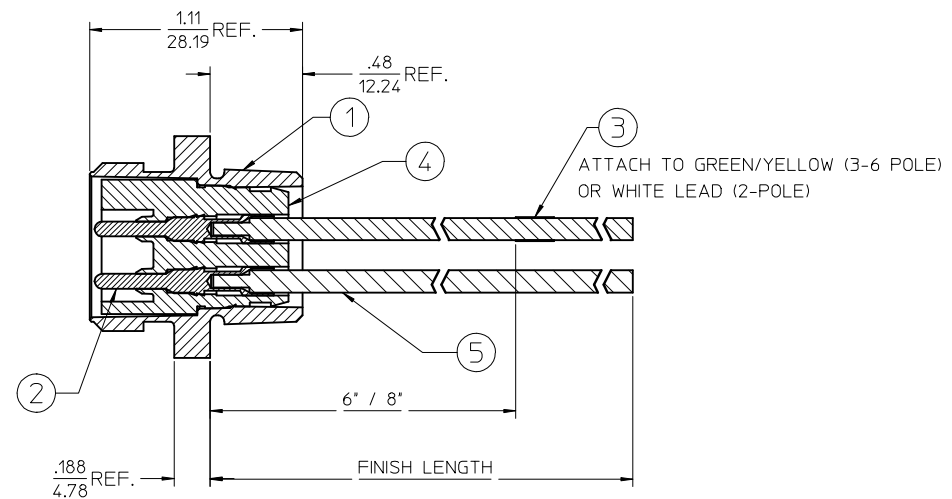
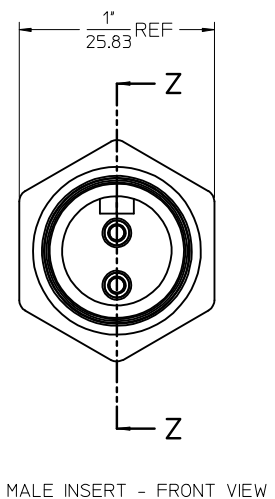
SPECIFICATION DATA

COMPONENT	MATERIAL	FINISH
LABEL	MYLAR	BLACK/YELLOW
INSERT	PVC	YELLOW
CONTACT	COPPER ALLOY	Au OVER Ni
RECEPTACLE SHELL	ZINC DIE CAST	BLACK E-COATED
CABLE #16	PVC	SEE WIRING DIAGRAM
VOLTAGE RATING:	600VAC/VDC	
AMPERAGE RATING:	13A	
PROTECTION CLASS:	IP 67	
OPERATING TEMPERATURE:	-20°C / 105°C	

UPDATED FOR PART MATRIX EC NO: IFCG2014-0988 DRWN: GGUSTAFS 2013/12/03 CHKD: TWOLDEGE APPR: BWOODMAN	QUALITY SYMBOL	GENERAL TOLERANCES (UNLESS SPECIFIED)	DIMENSION STYLE	SCALE	DESIGN UNITS	THIRD ANGLE PROJECTION
	▽=0	mm INCH	IN/MM	NTS	INCH	
	∇=0	4 PLACES ±--- ±---	DRAWN BY DATE	TITLE	MINI-CHANGE RECEPTACLE 3 POLE MALE 1/2 NPT 16/1 AWG PVC	
		3 PLACES ±--- ±.005	CHECKED BY DATE	MOLEX INCORPORATED		
	2 PLACES ±.13 ±.010	LH 2009/04/01	APPROVED BY DATE	DOCUMENT NO. SD-130013-003 SHEET NO. 1 OF 1		
	1 PLACE ±.25 ±.020	ANGULAR ±.5°	MATERIAL NO. SEE CHART	THIS DRAWING CONTAINS INFORMATION THAT IS PROPRIETARY TO MOLEX INCORPORATED AND SHOULD NOT BE USED WITHOUT WRITTEN PERMISSION		
		DRAFT WHERE APPLICABLE MUST REMAIN WITHIN DIMENSIONS	SIZE C			

FACE VIEW - MALE INSERT SCALE 2 : 1

1 WHITE 2 BLACK	1 GREEN/YELLOW 2 BLACK 3 WHITE	1 BLACK 2 WHITE 3 RED 4 GREEN/YELLOW	1 WHITE 2 RED 3 GREEN/YELLOW 4 ORANGE 5 BLACK	1 WHITE 2 RED 3 GREEN/YELLOW 4 ORANGE 5 BLACK 6 BLUE



FINAL ASSEMBLY
1300130076


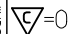
ENTER DESCRIPTION EC NO: MNA2010-0057 DRW: NKUMAR01 2009/07/31 CHKD: JFMURPHY APPR: JFMURPHY 2009/08/10	QUALITY SYMBOLS ▽=0 ▽=0	GENERAL TOLERANCES (UNLESS SPECIFIED) <table border="1" style="width: 100%; border-collapse: collapse;"> <thead> <tr> <th></th> <th>mm</th> <th>INCH</th> </tr> </thead> <tbody> <tr> <td>4 PLACES ±</td> <td>---</td> <td>± ---</td> </tr> <tr> <td>3 PLACES ±</td> <td>---</td> <td>± ---</td> </tr> <tr> <td>2 PLACES ±</td> <td>---</td> <td>± ---</td> </tr> <tr> <td>1 PLACE ±</td> <td>---</td> <td>± ---</td> </tr> </tbody> </table> ANGULAR ±1/2°		mm	INCH	4 PLACES ±	---	± ---	3 PLACES ±	---	± ---	2 PLACES ±	---	± ---	1 PLACE ±	---	± ---	DIMENSION STYLE IN/MM DRAWN BY: NKUMAR01 DATE: 31/07/09 CHECKED BY: BWOODMAN DATE: 31/07/09 APPROVED BY: JFMURPHY DATE: 31/07/09	SCALE 2:1	DESIGN UNITS INCH	THIRD ANGLE PROJECTION	TITLE MC 2P MR 12IN. 16/1 PVC
		mm	INCH																			
	4 PLACES ±	---	± ---																			
	3 PLACES ±	---	± ---																			
2 PLACES ±	---	± ---																				
1 PLACE ±	---	± ---																				
MATERIAL NO. 9999999999	DRAFT WHERE APPLICABLE MUST REMAIN WITHIN DIMENSIONS		DOCUMENT NO. SD-130013-076	MOLEX INCORPORATED		SHEET NO. 1 OF 2																
THIS DRAWING CONTAINS INFORMATION THAT IS PROPRIETARY TO MOLEX INCORPORATED AND SHOULD NOT BE USED WITHOUT WRITTEN PERMISSION																						
A	7	6	5	4	3	2	1															

MALE RECEPTACLE ASSEMBLY

SI. No.	DESCRIPTION	MATERIAL	FINISH	QUANTITY				
				2 POLE	3 POLE	4 POLE	5 POLE	6 POLE
1	RECEPTACLE SHELL	ZINC DIECAST	BLACK E-COAT	1	1	1	1	1
2	PIN CONTACT 16AWG	COPPER ALLOY	GOLD PLATED	2	3	4	5	6
3	LABEL	PLASTIC FILM	BLACK/YELLOW	1	1	1	1	1
4	2P MALE INSERT PVC A SIZE	PVC	YELLOW	1				
	3P MALE INSERT PVC A SIZE	PVC	YELLOW		1			
	4P MALE INSERT PVC A SIZE	PVC	YELLOW			1		
	5P MALE INSERT PVC A SIZE	PVC	YELLOW				1	
	6P MALE INSERT PVC A SIZE	PVC	YELLOW					1
5	#16-1 WHT PVC WIRE UL1015	PVC JACKET	WHITE	1	1	1	1	1
	#16-1 RED PVC WIRE UL1015	PVC JACKET	RED					1
	#16-1 ORN PVC WIRE UL1015	PVC JACKET	ORANGE		1	1	1	1
	#16-1 GRN/YEL PVC WIRE UL1015	PVC JACKET	GREEN/YELLOW				1	1
	#16-1 BLU PVC WIRE UL1015	PVC JACKET	BLUE			1	1	1
	#16-1 BLK PVC WIRE UL1015	PVC JACKET	BLACK	1	1	1	1	1

PART NUMBER	DESCRIPTION	FINISHED LENGTH
1300130076	1R2006A20A120	12.0" +.75" -0 [0.3M +19.1MM -0]
1300130084	1R2006A20F060	6.0' +2.19" -0 [1.8M +55.6MM -0]
1300130202	1R3006A20A120	12.0" +.75" -0 [0.3M +19.1MM -0]
1300130215	1R3006A20F060	6.0' +2.19" -0 [1.8M +55.6MM -0]
1300130353	1R4006A20A120	12.0" +.75" -0 [0.3M +19.1MM -0]
1300130361	1R4006A20F060	6.0' +2.19" -0 [1.8M +55.6MM -0]
1300130493	1R5006A20A120	12.0" +.75" -0 [0.3M +19.1MM -0]
1300130503	1R5006A20F060	6.0' +2.19" -0 [1.8M +55.6MM -0]
1300130593	1R6006A20A120	12.0" +.75" -0 [0.3M +19.1MM -0]
1300130605	1R6006A20F060	6.0' +2.19" -0 [1.8M +55.6MM -0]

POLE COUNT	MAX. VOLTAGE RATING	MAX. CURRENT RATING
2 POLE	600 VOLTS	13 AMPS
3 POLE	600 VOLTS	13 AMPS
4 POLE	600 VOLTS	10 AMPS
5 POLE	600 VOLTS	8 AMPS
6 POLE	600 VOLTS	8 AMPS

ENTER DESCRIPTION EC NO: MNA2010-0057 DRAWN BY: DRWINAKUMAR01 2009/07/31 CHKD: APPR: JFMURPHY 2009/08/10 REV: A	QUALITY SYMBOLS  = 0  = 0	GENERAL TOLERANCES (UNLESS SPECIFIED) <table border="1"> <tr> <th></th> <th>mm</th> <th>INCH</th> </tr> <tr> <td>4 PLACES</td> <td>± .005</td> <td>± .0004</td> </tr> <tr> <td>3 PLACES</td> <td>± .005</td> <td>± .0004</td> </tr> <tr> <td>2 PLACES</td> <td>± .005</td> <td>± .0004</td> </tr> <tr> <td>1 PLACE</td> <td>± .005</td> <td>± .0004</td> </tr> </table>		mm	INCH	4 PLACES	± .005	± .0004	3 PLACES	± .005	± .0004	2 PLACES	± .005	± .0004	1 PLACE	± .005	± .0004	DIMENSION STYLE IN/MM DRAWN BY: NKUMAR01 DATE: 31/07/09 CHECKED BY: BWOODMAN DATE: 31/07/09 APPROVED BY: JFMURPHY DATE: 31/07/09	SCALE: 2:1 DESIGN UNITS: INCH THIRD ANGLE PROJECTION	TITLE: MC 2P MR 12IN. 16/1 PVC
			mm	INCH																
		4 PLACES	± .005	± .0004																
		3 PLACES	± .005	± .0004																
2 PLACES	± .005	± .0004																		
1 PLACE	± .005	± .0004																		
MATERIAL NO. 9999999999	DOCUMENT NO. SD-130013-076	SHEET NO. 2 OF 2																		
DRAFT WHERE APPLICABLE MUST REMAIN WITHIN DIMENSIONS			MOLEX INCORPORATED																	
THIS DRAWING CONTAINS INFORMATION THAT IS PROPRIETARY TO MOLEX INCORPORATED AND SHOULD NOT BE USED WITHOUT WRITTEN PERMISSION																				