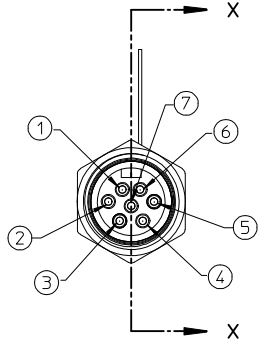
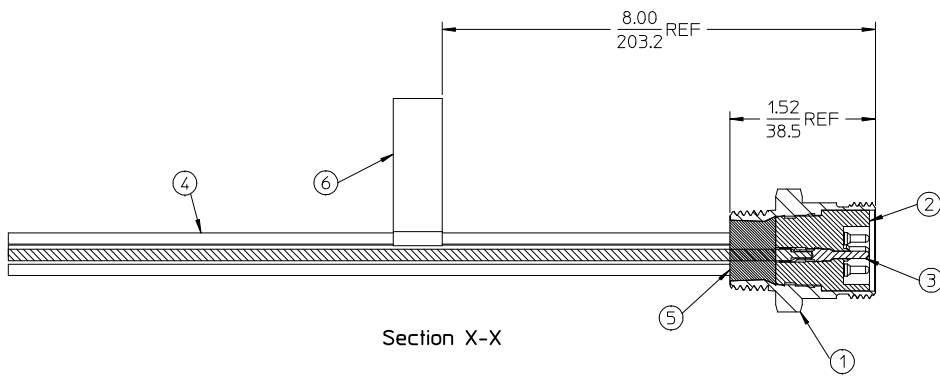
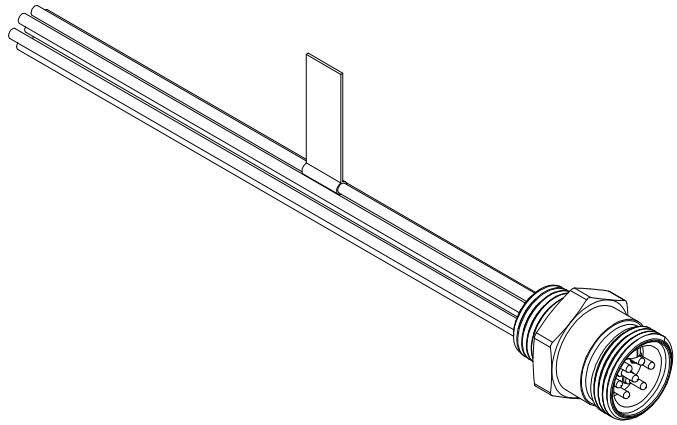
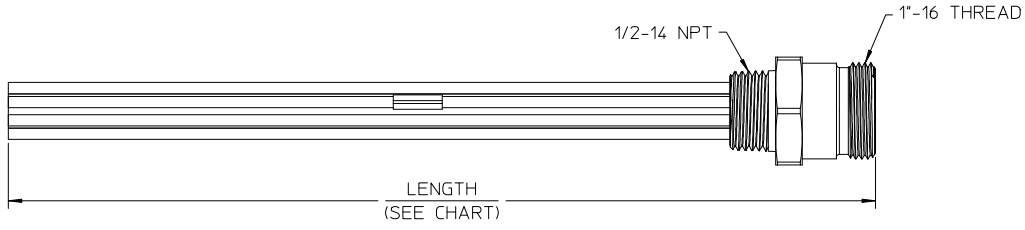
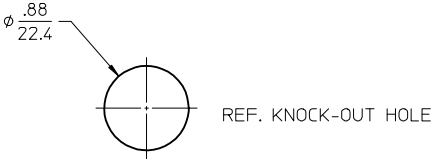


MATERIAL NO.	ENGINEERING NO.	LENGTH
1300140050	2R7006A20A120	12' +.75-0 [305mm +19.0-0]
1300140055	2R7006A20F060	6'0' +2.19 [1.8M +55.6-0]



1	WHITE/BLACK
2	BLACK
3	WHITE
4	RED
5	ORANGE
6	BLUE
7	GREEN/YELLOW-GND

- NOTES:  
 1. MATERIAL: SEE TABLE  
 2. FINISHES: SEE TABLE  
 3. MATES WITH: 7/C MINI-CHANGE CORD ASSY.  
 4. ELECTRICAL SPECIFICATIONS:  
 VOLTAGE RATING: 600V AC/DC  
 CURRENT RATING: 8 AMPS  
 5. RoHS COMPLIANT

ITEM	QTY.	DESCRIPTION	MATERIAL	FINISH
6	1	LABEL	PLASTIC FILM	BLACK/YELLOW
5	1	POTTING	EPOXY	
4	7	WIRE, 16 AWG (UL 1015)	PVC INSULATED	SEE WIRE DIAGRAM
3	7	CONTACT PIN	BRASS	GOLD PLATED
2	1	INSERT	PVC	YELLOW
1	1	RECEPTACLE SHELL	ZINC ALLOY	E-COAT, BLACK

RELEASED	EC NO: MNA2009-0813	QUALITY SYMBOLS
DRWN:BRUPERT	2009/06/09	$\nabla=0$
CHKD:BRUPERT		$\nabla=0$
APPR:JMURPHY	2009/06/10	
DESCRIPTION		

GENERAL TOLERANCES (UNLESS SPECIFIED)	
mm	INCH
4 PLACES ± .005	± .0005
3 PLACES ± .002	± .0002
2 PLACES ± .001	± .0001
1 PLACE ± 0.3	± .012
ANGULAR ± 1/2°	

DRAFT WHERE APPLICABLE  
MUST REMAIN WITHIN DIMENSIONS

DIMENSION STYLE	
IN/MM	
DRAWN BY	DATE
B. RUPERT	06/05/2009
CHECKED BY	DATE
B. WOODMAN	06/05/2009
APPROVED BY	DATE
J. MURPHY	06/05/2009

SCALE	DESIGN UNITS	THIRD ANGLE PROJECTION
1:1	INCH	
TITLE		
MINI-CHANGE RECEPTACLE MALE, 7 POLE 1/2 IN NPT		
MATERIAL NO. SEE CHART		
DOCUMENT NO. SD-130014-004		SHEET NO. 1 OF 1
THIS DRAWING CONTAINS INFORMATION THAT IS PROPRIETARY TO MOLEX INCORPORATED AND SHOULD NOT BE USED WITHOUT WRITTEN PERMISSION		