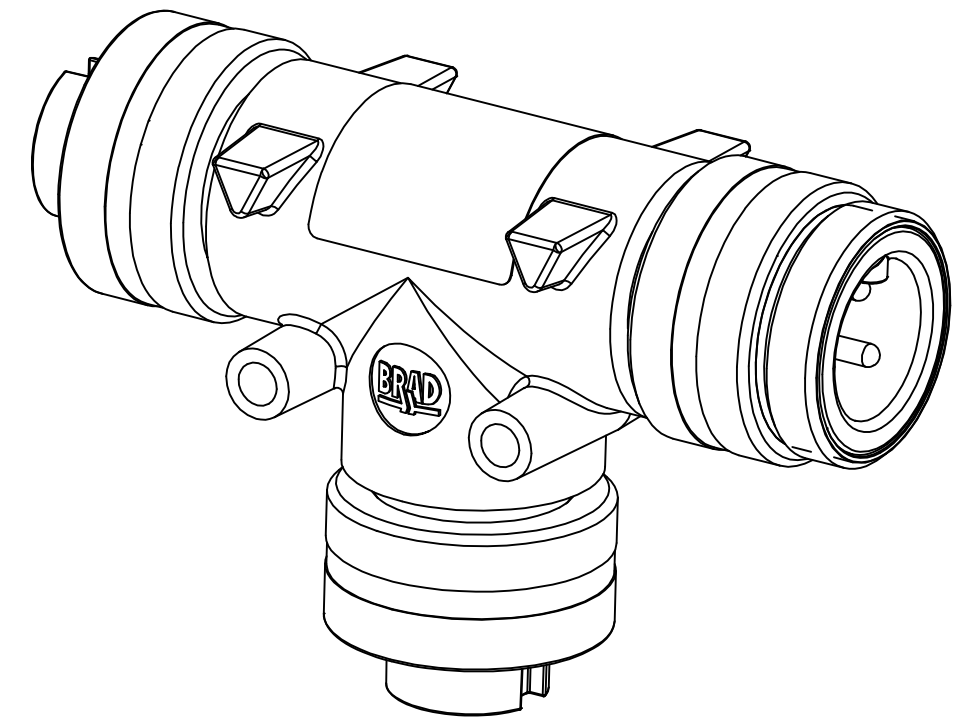
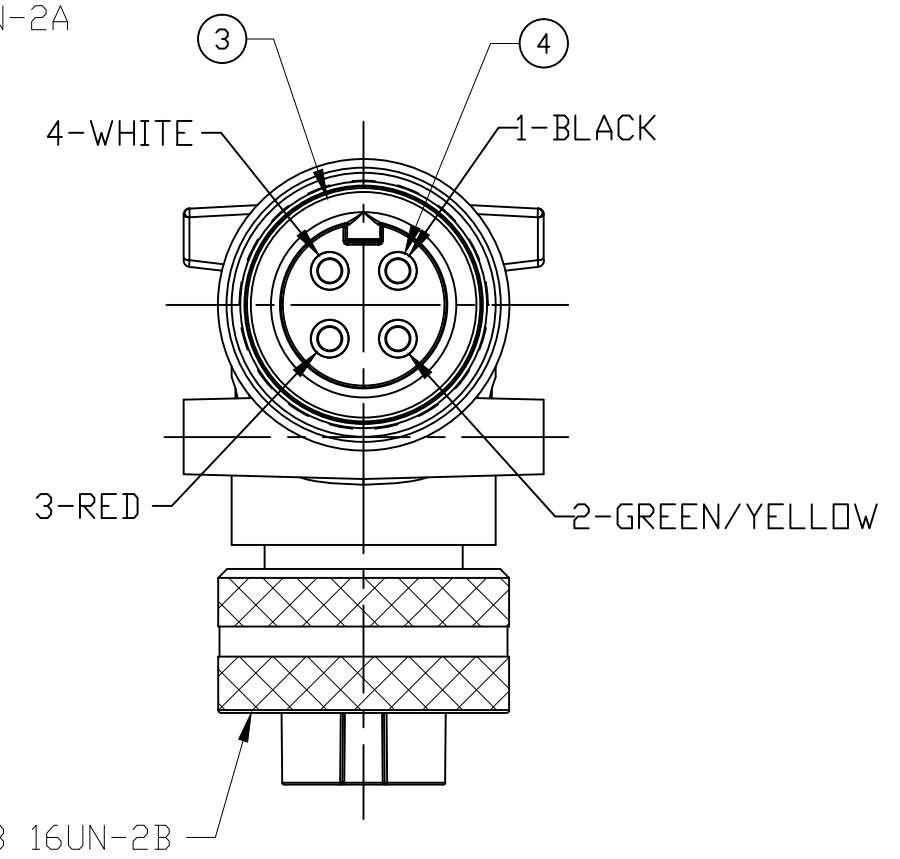
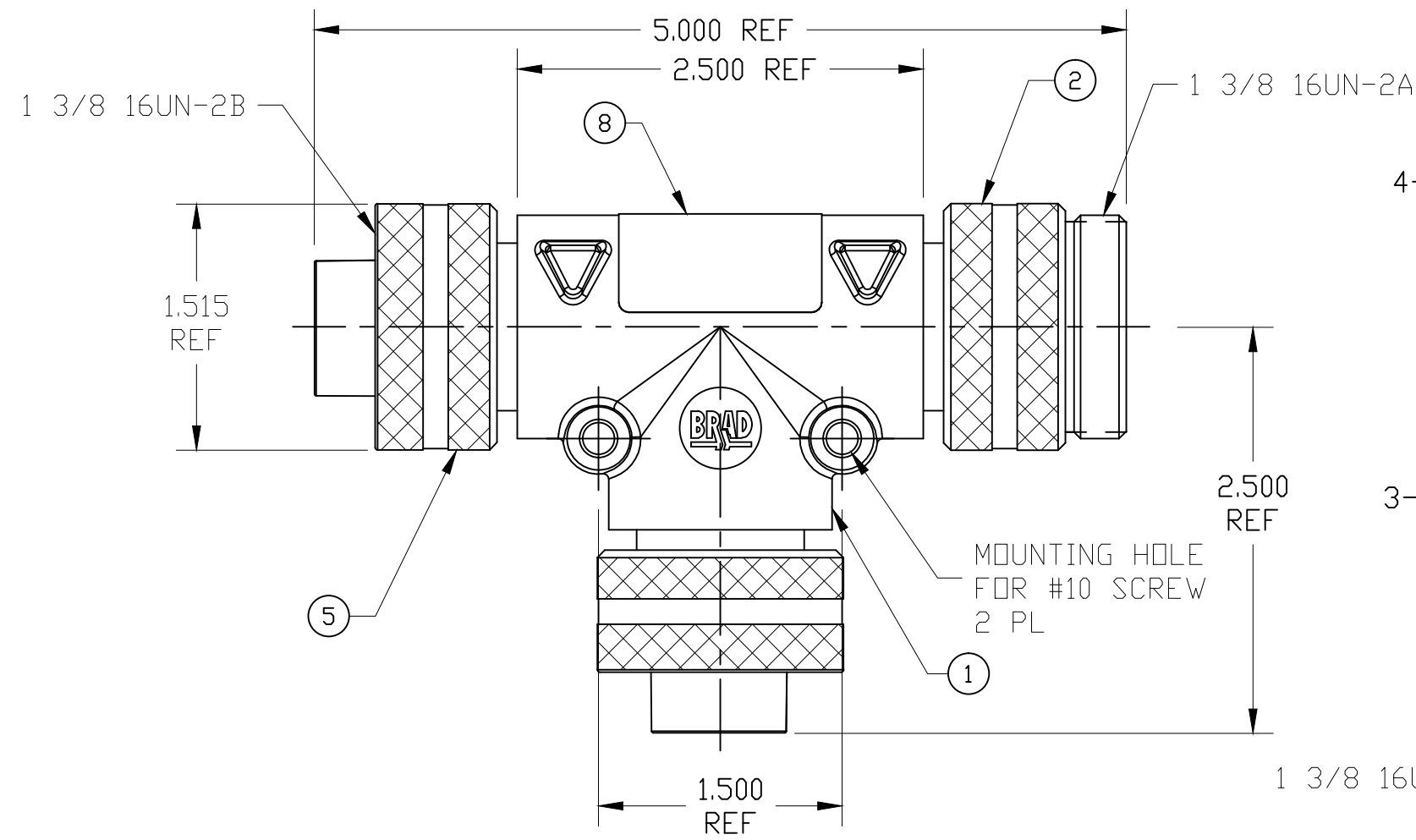
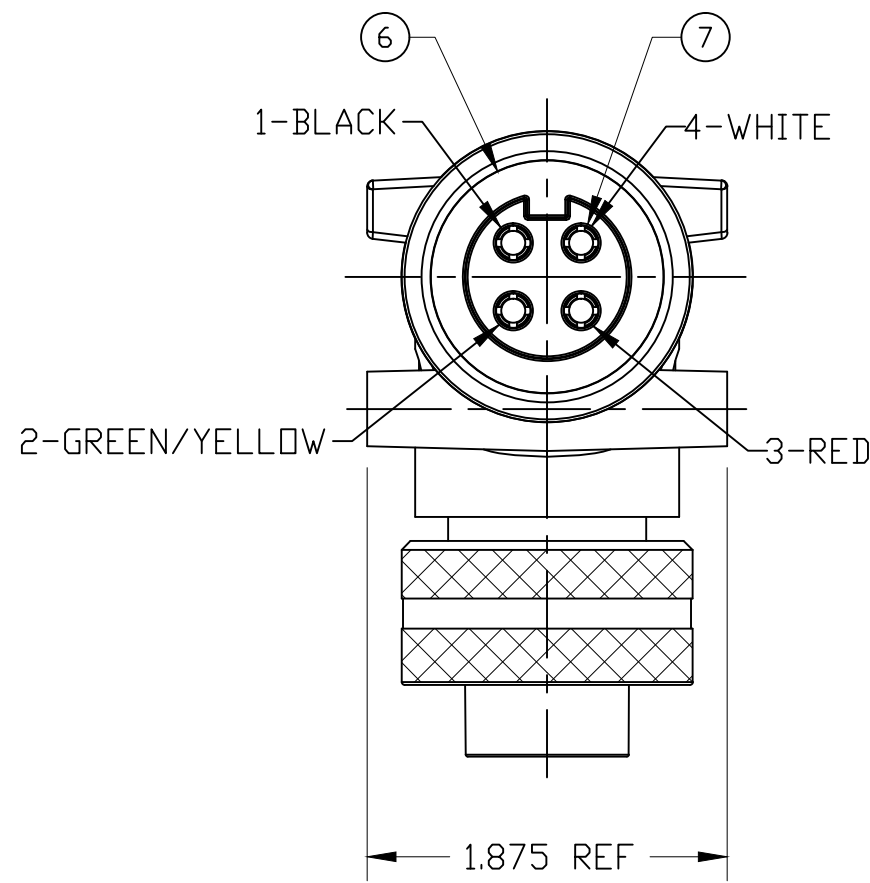
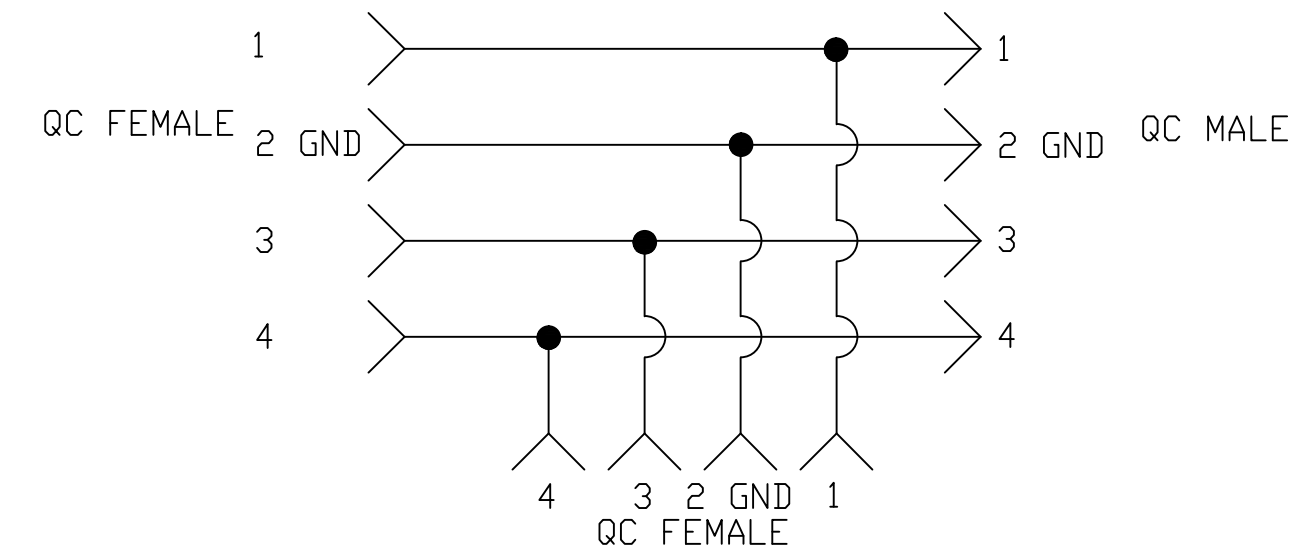
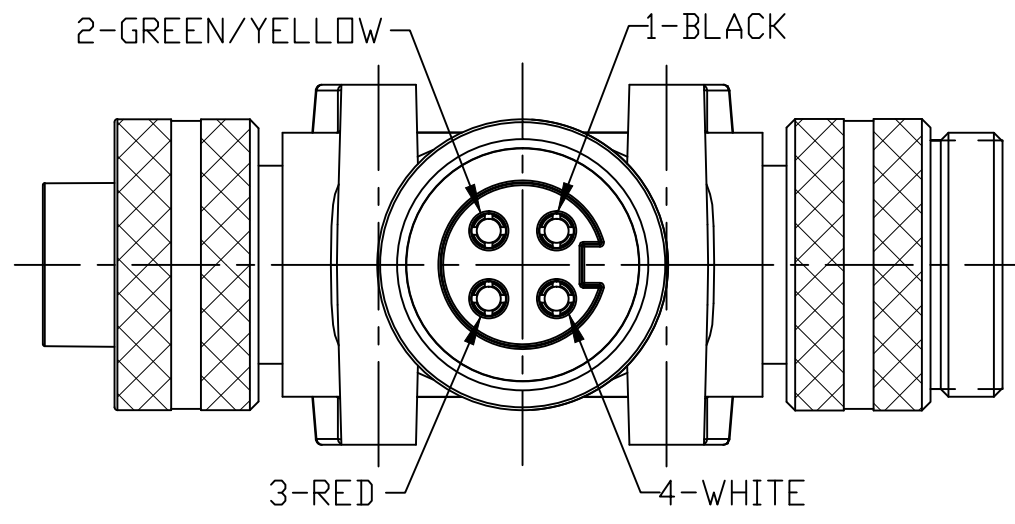


PART NUMBER	ENGINEERING NUMBER
1300680079	TC40C40-200



- NOTE:
- LABEL IS MARKED WITH P/N, DATE CODE, VOLTAGE & AMPERAGE
 - ELECTRICAL DATA:
 TEE QC TO QC
 POLES: 4
 MAX. VOLTAGE: 600V AC/DC
 MAX. THRU CURRENT: 32A
 MAX. DROP CURRENT: 32A
 PROTECTION: IP67
 TEMPERATURE RANGE: -20°C TO 90°C
 - PACKAGING:
 ASSEMBLIES ARE BAGGED SEPERATELY IN POLY BAGS WITH BAR CODE LABEL ATTACHED TO THE OUTSIDE OF THE BAG.
 - ASSEMBLY IS RoHS COMPLIANT
 - CERTIFICATION:
 UL LISTED/CSA CERTIFIED , FILE E258922



WIRE DIAGRAM

ITEM	QTY	DESCRIPTION	MATERIAL	FINISH
8	1	LABEL	PLASTIC FILM	BLACK/YELLOW
7	8	QC SOCKET CONTACT	COPPER ALLOY	GOLD PLATED
6	2	QC FEMALE INSERT	PVC	BLACK
5	2	QC FEMALE COUPLING NUT	ALUMINUM	CLEAR ANODIZE
4	4	QC PIN CONTACT	COPPER ALLOY	GOLD PLATED
3	1	QC MALE INSERT	PVC	BLACK
2	1	QC MALE COUPLING NUT	ALUMINUM	CLEAR ANODIZE
1	1	OVERMOLD	PVC	GRAY

REVISED NOTES EC NO: IFCG2015-1959 DRWN: GGUSTAFS 2015/05/13 CH'KD: BARDEN 2015/06/30 APPR: BWOODMAN2010/01/15	QUALITY SYMBOL ▽=0 ▽C=0	GENERAL TOLERANCES (UNLESS SPECIFIED) <table border="1"> <tr> <td></td> <td>mm</td> <td>INCH</td> </tr> <tr> <td>4 PLACES</td> <td>±---</td> <td>±---</td> </tr> <tr> <td>3 PLACES</td> <td>±---</td> <td>±.005</td> </tr> <tr> <td>2 PLACES</td> <td>±0.13</td> <td>±.010</td> </tr> <tr> <td>1 PLACE</td> <td>±0.25</td> <td>±.020</td> </tr> </table>		mm	INCH	4 PLACES	±---	±---	3 PLACES	±---	±.005	2 PLACES	±0.13	±.010	1 PLACE	±0.25	±.020	DIMENSION STYLE IN/MM DRAWN BY: KJOZWIK DATE: 2010/01/14 CHECKED BY: BWOODMAN DATE: 2010/01/14 APPROVED BY: JFMURPHY DATE: 2010/01/15	SCALE: 1:1 DESIGN UNITS: INCH THIRD ANGLE PROJECTION	TITLE: BRAD POWER QC 4 POLE TEE W/4 POLE QC DROP MOLEX INCORPORATED DOCUMENT NO.: SD-130068-010 SHEET NO.: 1 OF 1
		mm	INCH																	
	4 PLACES	±---	±---																	
	3 PLACES	±---	±.005																	
2 PLACES	±0.13	±.010																		
1 PLACE	±0.25	±.020																		
DRAFT WHERE APPLICABLE MUST REMAIN WITHIN DIMENSIONS		MATERIAL NO.: SEE TABLE	THIS DRAWING CONTAINS INFORMATION THAT IS PROPRIETARY TO MOLEX INCORPORATED AND SHOULD NOT BE USED WITHOUT WRITTEN PERMISSION																	
ANGLE: ±1/2°																				
SIZE C																				