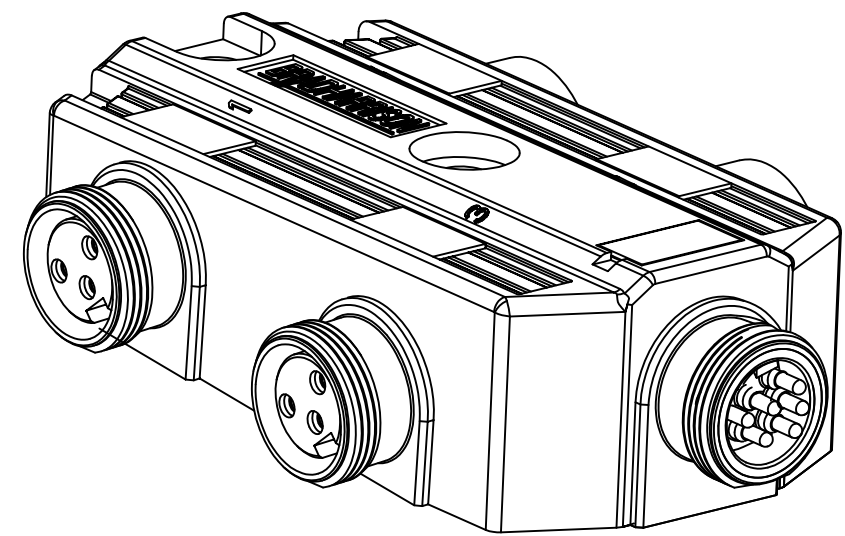
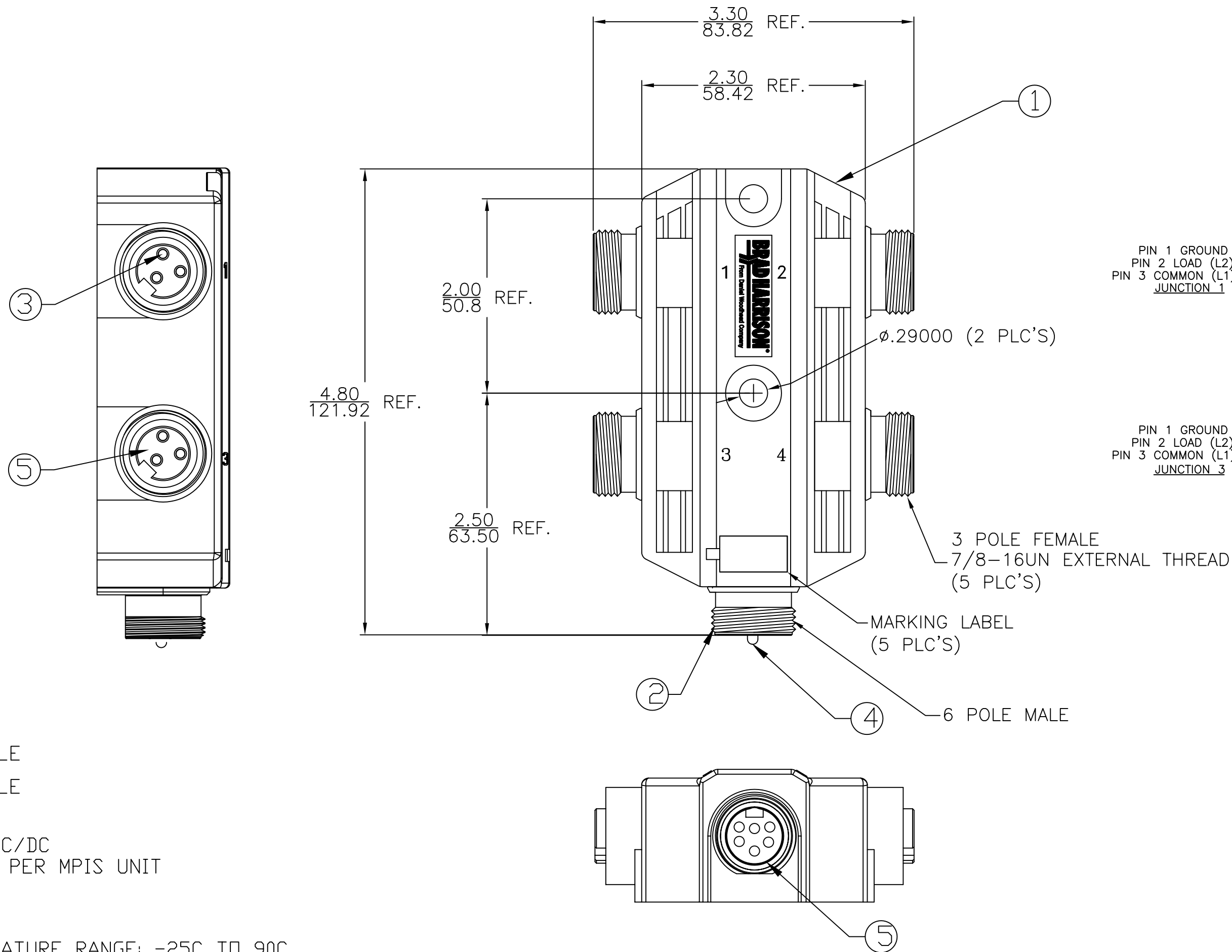


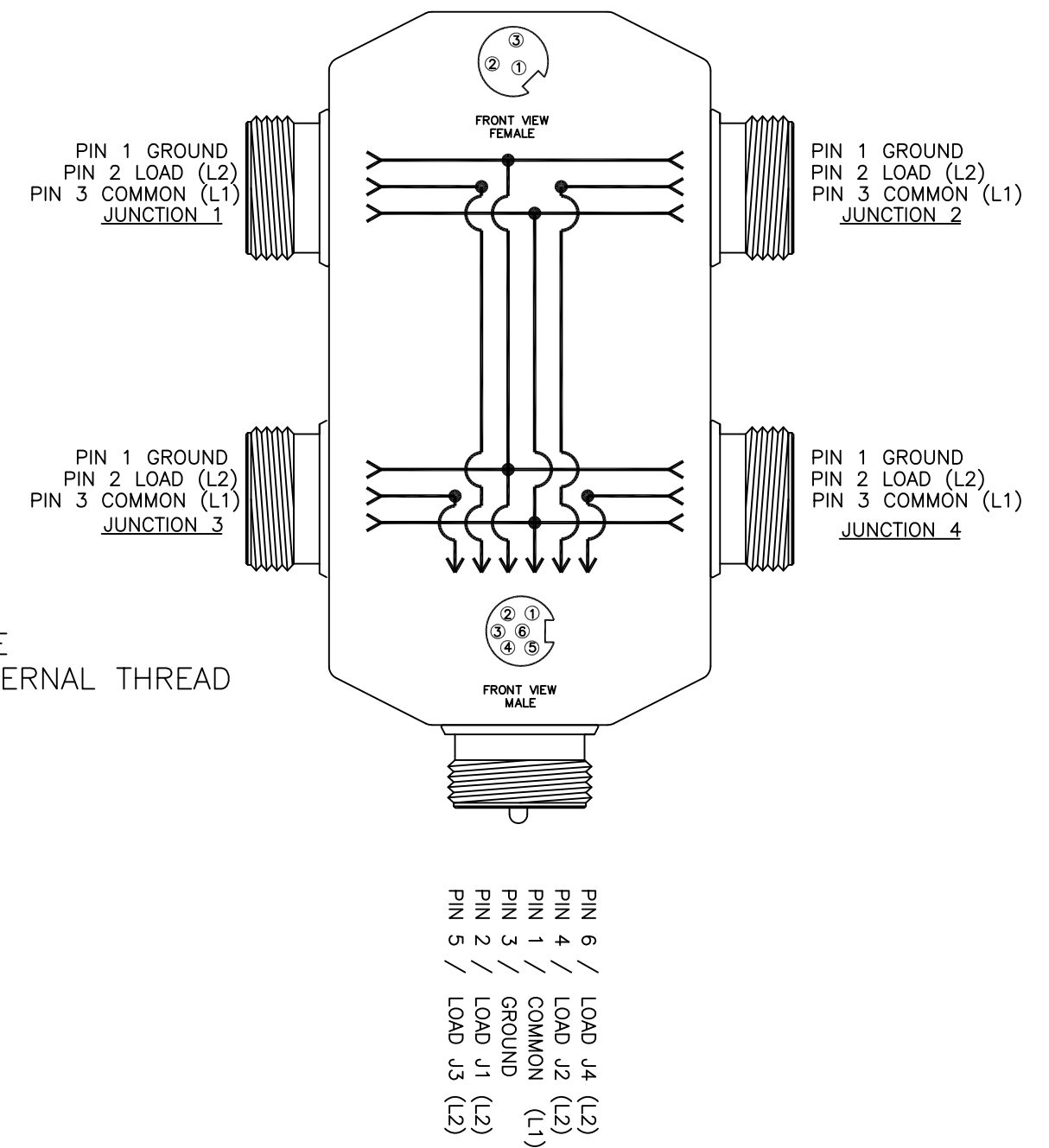
13	12	11	10	9	8	7	6	5	4	3	2	1
MATERIAL NUMBER	ENGINEERING NUMBER											
1300600001	409P401											



DIMENSIONAL



SCHEMATIC



NOTES:

- 1) MATERIAL: SEE TABLE
- 2) FINISHES: SEE TABLE
- 3) ELECTRICAL DATA:
 VOLTAGE: 600V AC/DC
 AMPERAGE: 7AMPS PER MPIS UNIT
- 4) ENVIRONMENTAL:
 PROTECTION IP67
 OPERATING TEMPERATURE RANGE: -25C TO 90C
- 5) LABEL IS MARKED WITH P/N, DATE CODE, AND SCHEMATIC
- 6) CERTIFICATION:
 UL: UL RECOGNIZED
 CSA: CSA CERTIFIED

ITEM	QTY.	DESCRIPTION	MATERIAL	FINISH
5	5	INSERT	PVC	YELLOW
4	6	PIN CONTACT	COPPER ALLOY	GOLD PLATED
3	12	SOCKET CONTACT	COPPER ALLOY	GOLD PLATED
2	5	RECEPTACLE SHELL	E-COATED ZINC ALLOY	BLACK
1	1	HOUSING	PBT	YELLOW

RELEASE EC NO: WNA2010-0456 DRWN: TWOLDEGE 2010/01/22 CH'KD: BWOODMAN APPR: JFMURPHY 2010/01/29 A	QUALITY SYMBOL	GENERAL TOLERANCES (UNLESS SPECIFIED)		DIMENSION STYLE		SCALE	DESIGN UNITS	THIRD ANGLE PROJECTION	
	$\nabla = 0$ $\sphericalangle = 0$	4 PLACES	mm	INCH	DRAWN BY	DATE	1:1	INCH	TITLE
		3 PLACES	\pm ---	\pm ---	CHECKED BY	DATE			4PORT SIDE MOUNT MPIS 4PORT 3-POLE FEMALE W/ 6P MALE HOME RUN CONN.
		2 PLACES	± 0.13	± 0.10	BWOODMAN				
	1 PLACE	± 0.25	± 0.20	APPROVED BY	DATE				
		ANGULAR $\pm 1/2^\circ$		JFMURPHY	2010/01/29				
		DRAFT WHERE APPLICABLE MUST REMAIN WITHIN DIMENSIONS		MATERIAL NO.		DOCUMENT NO.		SHEET NO.	
				SEE CHART		SD-130060-003		1 OF 1	
				THIS DRAWING CONTAINS INFORMATION THAT IS PROPRIETARY TO MOLEX INCORPORATED AND SHOULD NOT BE USED WITHOUT WRITTEN PERMISSION					