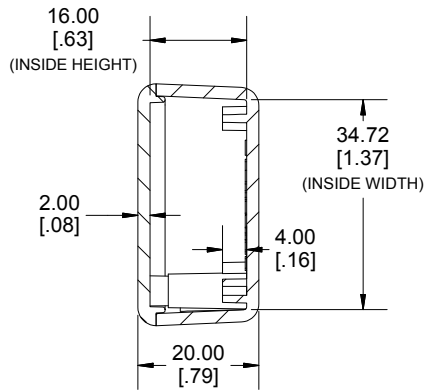
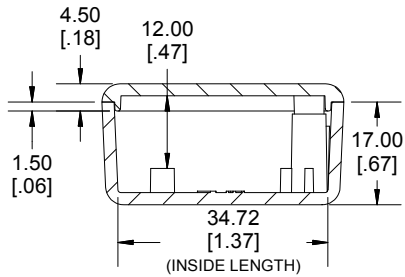


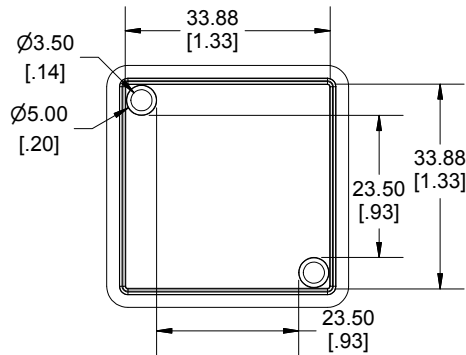
**TOP VIEW**



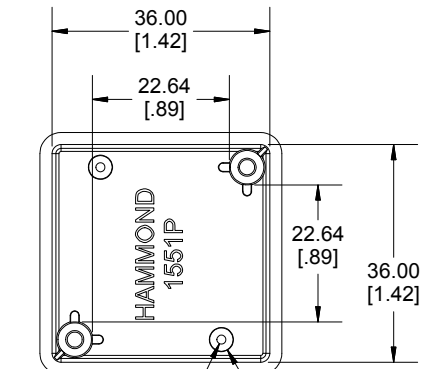
**END VIEW  
SECTION B-B**



**SIDE VIEW  
SECTION A-A**

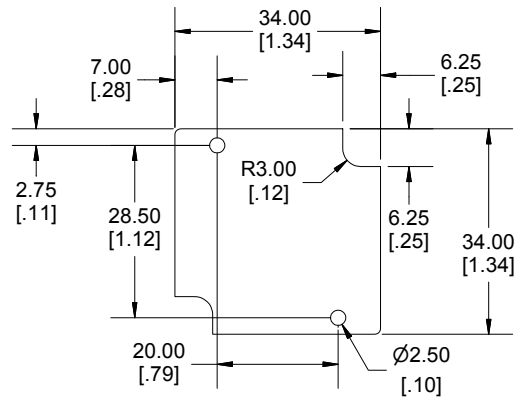


**INSIDE LID**



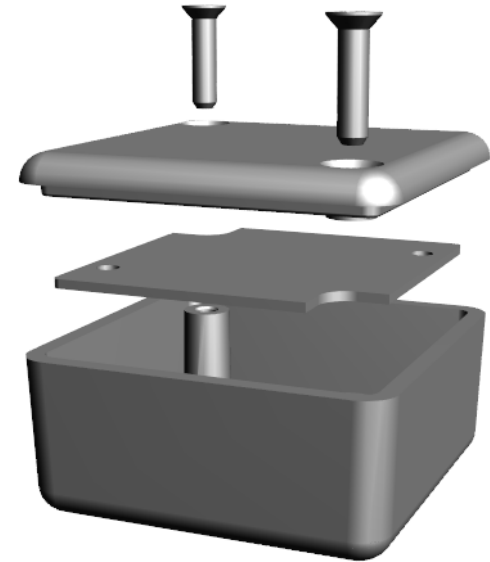
ACCEPTS #2  
SELF-TAPPING  
SCREW

**INSIDE BOX**



**MAXIMUM  
P.C. BOARD SIZE**

Dimensions:  
mm  
[inches]



Enclosures can be Factory Modified ( Milling, Drilling, Printing etc.)  
Contact Factory [mjm@hammondmfg.com](mailto:mjm@hammondmfg.com) for quotes  
Solid models of this enclosure available in STEP or IGES.  
(Part number and text placement/orientation on our products are subject to change, we do not recommend using them as a locating reference for modification purposes)

**NOTE**

Purchased assembly includes box, lid, 2 cover screws.  
Enclosure molded from general purpose ABS Plastic.  
Other materials / colours available consult factory.

**Recommended Torque : (35-43) Ozf.in / (25-30) cN.m**

**PART NUMBERS**

1551P Enclosure	
Black Enclosure - Ral 9011 - UL94 - HB	1551PBK
Gray Enclosure - RAL 7035 - UL94 - HB	1551PGY
Tranlucent Blue - UL94 - HB	1551PTBU
ACCESSORIES	
Black Cover Screws #4 X 1/2" Self-tapping	1591TS100BK (Pkg 100)
Plated Cover Screws #4 X 1/2" Self-tapping	1591TS100 (Pkg 100)
P.C. Board Screws [#2 x 3/16" self-tapping (4.8mm)]	1551ATS50 (Pkg 50) 1551ATS100 (Pkg 100)

