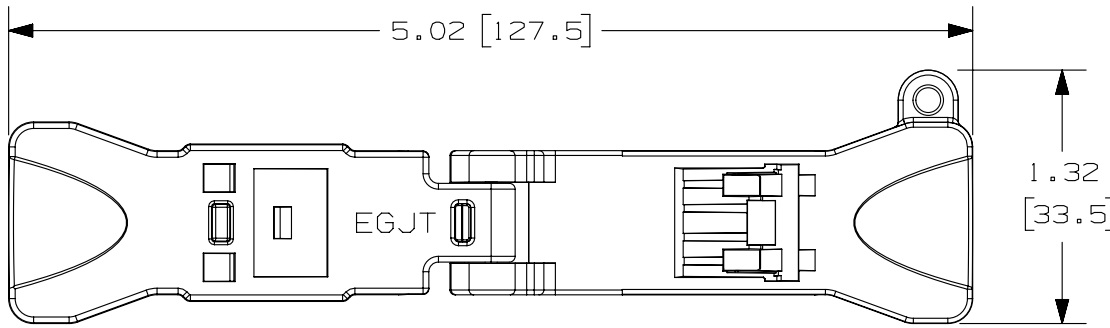
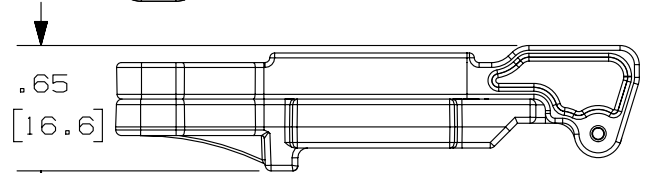
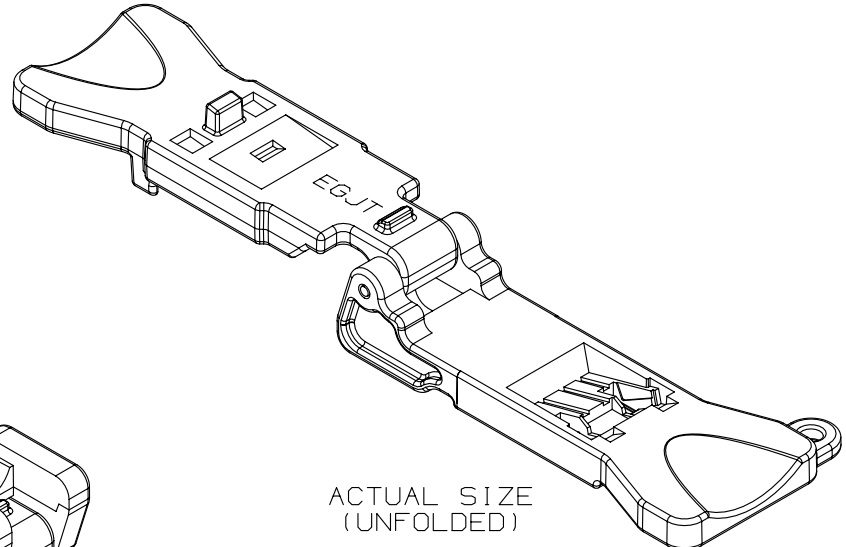
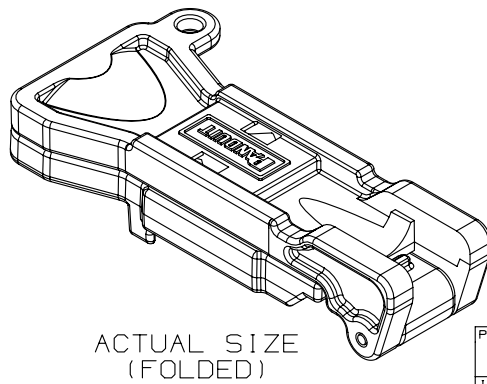
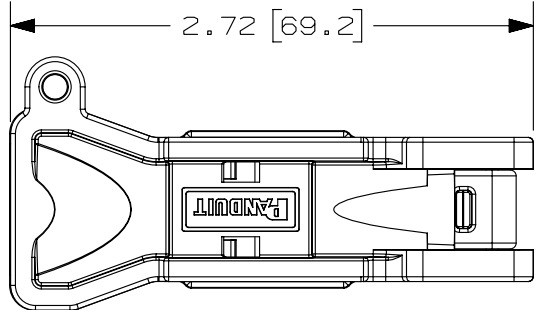
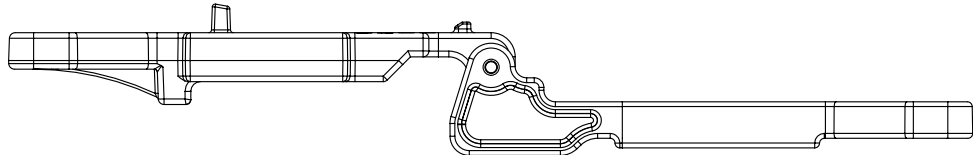


THIS COPY IS PROVIDED ON A RESTRICTED BASIS AND IS NOT TO BE USED IN ANY WAY DETRIMENTAL TO THE INTERESTS OF PANDUIT CORP.



PANDUIT P/N	WEIGHT
EGJT	.29 LB/10 PCS (131.6 g/10 PCS)

- NOTES:
1. TG JACK MODULE TERMINATION TOOL
  2. TERMINATES ALL CJ\*\*TG\*\* JACK MODULES
  3. DIMENSIONS IN BRACKETS ARE IN METRIC.
  4. MATERIAL: GLASS-FILLED NYLON



PART NUMBER	EGJT	PRODUCT SPEC/PKG SPEC	PS-NS-789
I.I. NUMBER	NS-1327	WORK INSTRUCTION	N/A

TITLE  
**TG TERMINATION TOOL**  
CUSTOMER DRAWING

ITEM REVISION NAME  
**M01874AP/11**

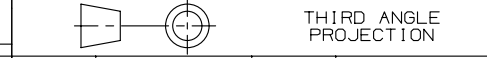
DATASET FILE NAME  
**M01874AP\_DC53/11A**



UNLESS OTHERWISE SPECIFIED,  
DIMENSIONAL TOLERANCES ARE: IN [mm]

.x ± .1 [2.54]      .xxx ± .005 [0.127]  
.xx ± .01 [0.25]      ANGLES ± 5 °

REVIEW DRAWING NUMBERS:  
**01874-50, 01874-51,  
01874-52, 02436-04**



DRAWING NUMBER:  
**01874-53**

8	5-23-13	BJN	JAV	EJH	UPDATED REVISED & REDRAWN PREVIOUS REVS REMVD FOR CLARITY	01874-53
REV	DATE	BY	CHK	APR	DESCRIPTION	ECN

DRAWN BY	DATE	CHK	SCALE	SHT 1 OF 1	SIZE
LZ	10-14-04	PBD	FULL		A

D10100DA/14