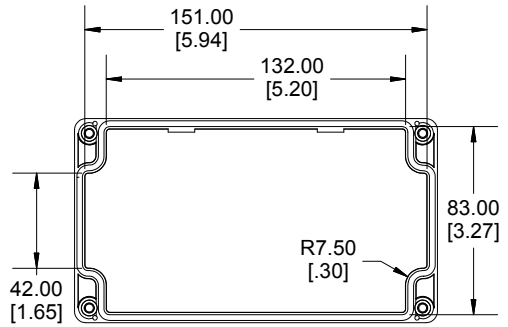
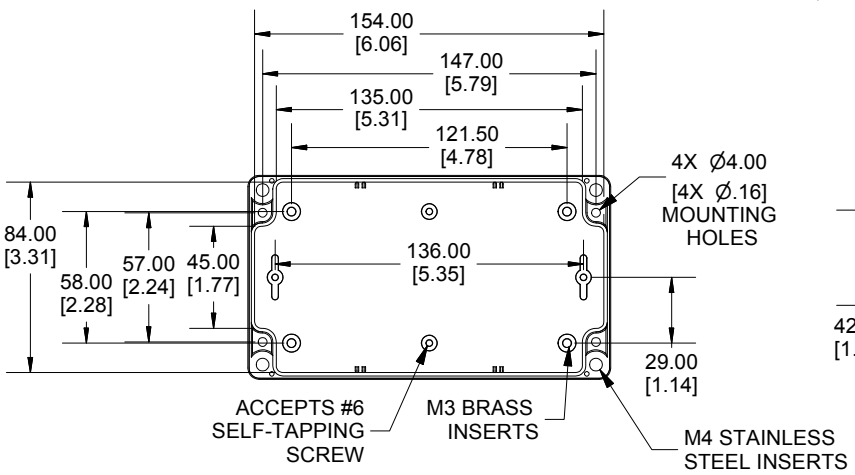


**SECTION A-A  
SIDE VIEW**



**INSIDE BOX**

**INSIDE LID**



Enclosures can be Factory Modified ( Milling, Drilling, Printing etc.)  
 Contact Factory [mjm@hammondmfg.com](mailto:mjm@hammondmfg.com) for quotes  
 Solid models of this enclosure available in STEP or IGES.  
 (Part number and text placement/orientation on our products are subject to change,  
 we do not recommend using them as a locating reference for modification purposes)

**NOTE**  
 Purchased assembly includes box, lid, 4 cover screws, and preformed silicone gasket.  
 General Purpose ABS version is not UL approved. (Matl UL94 - HB)  
 Polycarbonate version is UL 508 approved. (Matl UL94 - 5VA @ 3mm)  
**Recommended Cover screw torque -- 2.5 lbf-in (30 cN-m)**

| 1554J  |             |
|--|-------------|
| <b>1554J Regular Enclosure</b>   |             |
| General Purpose ABS RAL-7035   | 1554JGY     |
| Polycarbonate RAL-7035   | 1554J2GY    |
| <b>1554J Clear / Smoke Lid Enclosure</b>                               |             |
| Polycarbonate Box / Clear Polycarbonate Lid                            | 1554J2GYCL  |
| Polycarbonate Box / Smoke Polycarbonate Lid                            | 1554J2GYSL  |
| <b>ACCESSORIES</b>   |             |
| Steel Inner Panels   | 1554JPL     |
| Steel Panel / P.C. Board Machine Screw [M3 x 8mm Plated]               | 1591MM100   |
| Steel Panel / P.C. Board Self Tapping Screw [#6 X 1/4" (6.4mm) Plated] | 1598ATS100  |
| Cover Screws (Pkg 4) [M4 X 20mm Stainless Steel]                       | SC1554      |
| Silicone Pre-formed Gasket Black                                       | 1554JGASKET |

Dimensions:  
 mm  
 [inches]

**1554J**  
[www.hammondmfg.com](http://www.hammondmfg.com)