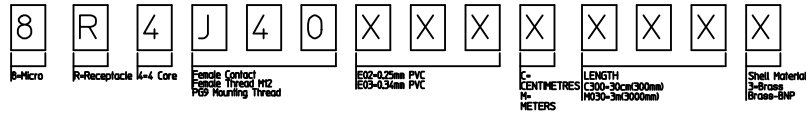


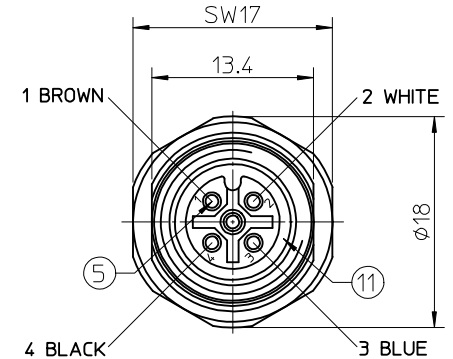
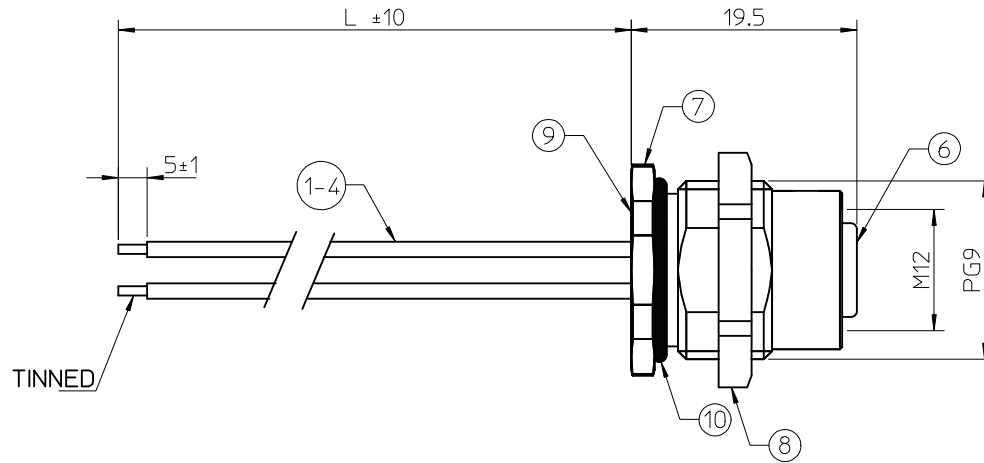
WIRES SPECIFICATION UL1569:

RATED VOLTAGE: 300 V  
 RATED TEMPERATURE: 105°C  
 PRODUCT STANDARD CERTIFICATION: UL  
 FLAMMABILITY TEST: VW-1, CSA FT1  
 AWG: 22  
 CONSTRUCTION: 17/0.16  
 STRANDED DIAMETER: 0.76mm  
 INSULATION: PVC  
 INSULATION DIAMETER: 1.58 (±0.05)mm

PART No MATRIX



MOLEX PN	ENGINEERING NO.	L [mm]
1200110239	8R4J40E03C3003	300
1200705168	8R4J40E03C200	200
1200708015	8R4J40E03C300	300
1200708069	8R4J40E03M0303	3000
1200708130	8R4J40E03C500	500



VIEW FROM THE FRONT SIDE (WITHOUT THE LOCKNUT)

BILL OF MATERIALS

ITEM	QTY.	DESCRIPTION	MATERIAL	FINISH
11	1	GASKET	FPM	RED
10	1	O-RING	NBR 70	BLACK
9	-	POTTING MATERIAL	-	-
8	1	PG9 LOCKNUT	BRASS	NICKEL PLATED
7	1	M12 PG9 SHELL	CuZn39Pb3	Cu/Ni3b
6	1	M12 4P FEMALE INSERT	PUR	BLACK
5	4	FEMALE CONTACT	CuSn6	CuNi2Au0.7
4	-	WIRE 22AWG	PVC	BLACK
3	-	WIRE 22AWG	PVC	BLUE
2	-	WIRE 22AWG	PVC	WHITE
1	-	WIRE 22AWG	PVC	BROWN

ORIGINAL RELEASE EC NO: IFG2015-0963 DRWN:FGAIK 2014/12/01 CHKD:JMARSZALEK 2014/12/02 APPR:MIWASIECZKO 2014/12/09	QUALITY SYMBOLS ▽=0 ▽=0	GENERAL TOLERANCES (UNLESS SPECIFIED)		DIMENSION STYLE MM ONLY		SCALE ---	DESIGN UNITS METRIC	THIRD ANGLE PROJECTION			
		4 PLACES ± --- ± ---	3 PLACES ± --- ± ---	2 PLACES ± 0.05 ± ---	1 PLACE ± 0.3 ± ---	0 PLACE ± 0.5 ± ---	DRAWN BY FGAIK	DATE 2014/12/01	TITLE M12-REC-FEM-4P-BACK-PG9-XM-PVC		
		ANGULAR ± 1 °					CHECKED BY JMARSZALEK	DATE 2014/12/02	molex		
		DRAFT WHERE APPLICABLE MUST REMAIN WITHIN DIMENSIONS					APPROVED BY MIWASIECZKO	DATE 2014/12/09	DOCUMENT NO. SD-120070-050		SHEET NO. 1 OF 1

SIZE A3  
 THIS DRAWING CONTAINS INFORMATION THAT IS PROPRIETARY TO MOLEX INCORPORATED AND SHOULD NOT BE USED WITHOUT WRITTEN PERMISSION