

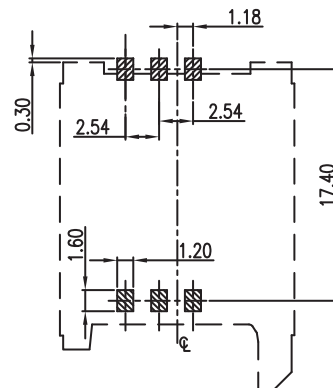
1

2

3

4

5



PCB LAYOUT - COMPONENT VIEW

TECHNICAL CHARACTERISTICS

MATERIAL
 INSULATOR: LCP
 FLAMABILITY RATING: UL94-V0
 COLOR: BLACK
 CONTACT MATERIAL: COPPER ALLOY
 CONTACT TYPE: STAMPED
 CONTACT PLATING: SELECTIVE GOLD
 LATCH: STAINLESS STEEL
 QUALITY CLASS: 5000 MATING CYCLES

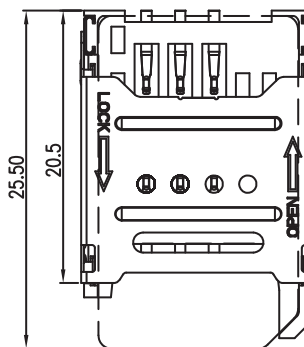
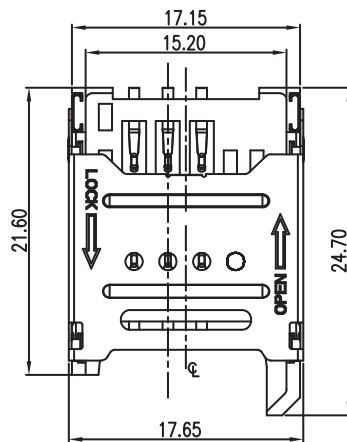
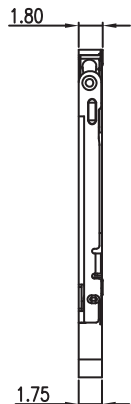
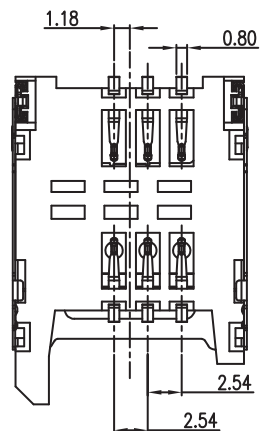
ENVIRONMENTAL
 OPERATING TEMPERATURE: -25 UP TO 85°C
 COMPLIANCE: LEAD FREE AND ROHS

ELECTRICAL
 CURRENT RATING: 1A
 WORKING VOLTAGE: 250 VAC
 INSULATOR RESISTANCE: >100 MΩ
 DIELECTRIC WITHSTANDING VOLTAGE: 100VAC/MN
 CONTACT RESISTANCE: 100 mΩ MAX

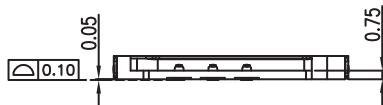
SOLDERING
 JEDEC LEAD FREE REFLOW SOLDERING PROCESS

PACKAGING
 TAPE & REEL

PIN NO.	PIN NAME
C1	Supply Voltage Vcc
C2	Reset (RST)
C3	Clock (CLK)
C4	N/A
C5	Ground
C6	Programming Voltage Vpp
C7	I/O
C8	N/A



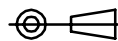
STATE OF LOCK



RoHS Compliant

G			
F			
E			
D			
C			
B	12-MAY-14	DWG UPDATE	QL
A	08-JUL-12	PDF	GG
REV	DATE	FILE	BY

PROJECTION:



APPROVAL: RJ

GENERAL TOLERANCE

.X = +/- 0.2

.XX = +/- 0.15



UNIT: MM

SCALE:

SHEET: 1/2

DRAW:

DESCRIPTION: WR-CRD Mini SIM - Hinge type - 6 pins

WERI PART NO: 693 012 040 811

SIZE

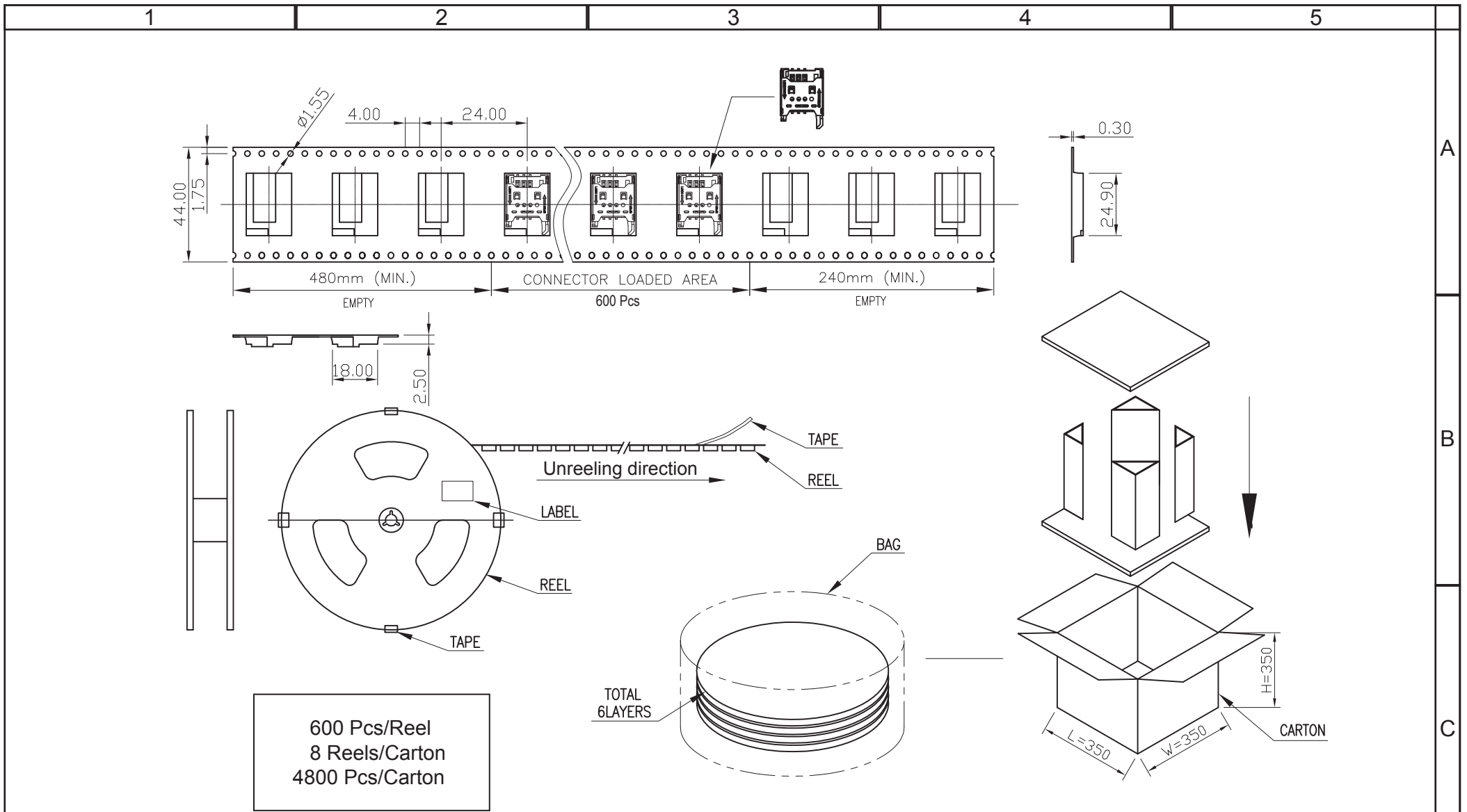
A4

A

B

C

D



600 Pcs/Reel
8 Reels/Carton
4800 Pcs/Carton

RoHS Compliant				PROJECTION: 		GENERAL TOLERANCE .X = +/- 0.2 .XX = +/- 0.15			
				APPROVAL: RJ		UNIT: MM		DESCRIPTION: SIM Card Connector - Header - 6 pins	
						SCALE:		WERI PART NO: 693 012 040 811	
REV				DATE		FILE		BY	
						SHEET: 2/2			
						DRAW:			
									SIZE A4