

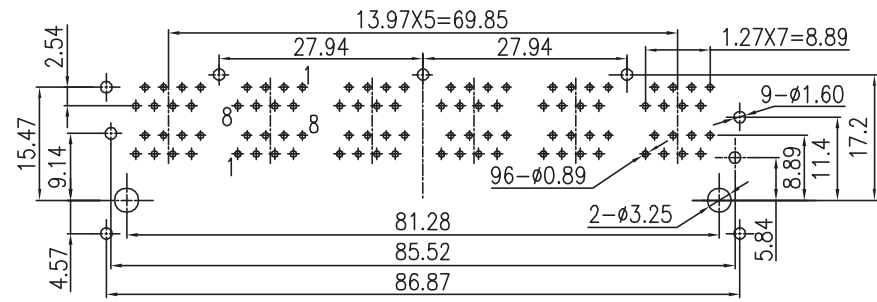
1

2

3

4

5



PCB LAYOUT - COMPONENT VIEW

TECHNICAL CHARACTERISTICS

**MATERIAL**  
 INSULATOR MATERIAL: PBT  
 FLAMMABILITY RATING: UL94-V0  
 COLOR: BLACK  
 CONTACT MATERIAL: COPPER ALLOY  
 CONTACT TYPE: STAMPED  
 CONTACT PLATING: GOLD  
 SHIELDING: BRONZE NI PLATED  
 QUALITY CLASS: 500 MATING CYCLES

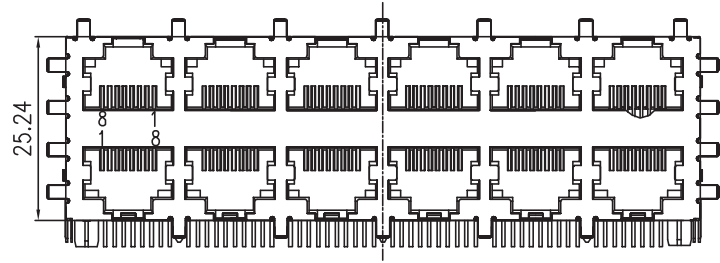
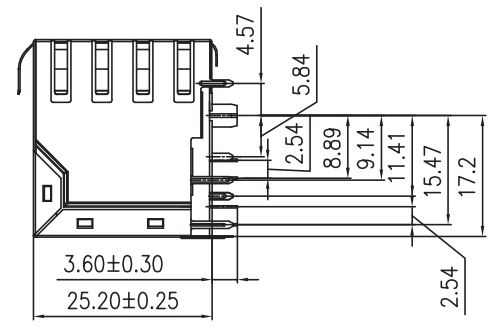
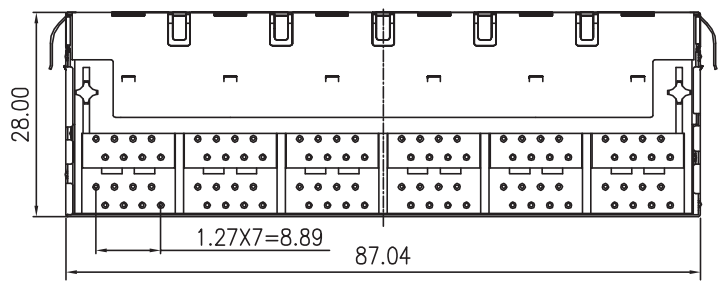
**ENVIRONMENTAL**  
 OPERATING TEMPERATURE: -40 °C UP TO 85 °C  
 COMPLIANCE: LEAD FREE AND ROHS

**ELECTRICAL**  
 CURRENT RATING: 1.5 A  
 WORKING VOLTAGE: 120 VAC  
 INSULATION RESISTANCE: >500 MΩ  
 DIELECTRIC WITHSTANDING VOLTAGE: 1 000 VAC/MIN  
 CONTACT RESISTANCE: 20 mΩ MAX

**STANDARD**  
 CERTIFIED: E324776

**SOLDERING**  
 JEDEC LEAD FREE WAVE SOLDERING PROCESS

**PACKAGING**  
 TRAY



RoHS Compliant			
G			
F			
E			
D	03-JAN-14	UL & TEMP UPDATE	QL
C	28-AUG-13	DWG UPDATE	QL
B	28-MAY-10	DIM. 1.9MM	JP
A	06-OCT-09	PDF	JP
REV	DATE	FILE	BY

PROJECTION:

APPROVAL: RJ

GENERAL TOLERANCE  
 .X = +/- 0.2  
 .XX = +/- 0.15

UNIT: MM  
 SCALE:  
 SHEET: 1/1  
 DRAW:

**DESCRIPTION: HORIZONTAL SHIELDED 2 x 6 STACKED PORT WITH EMI PANEL FINGER 8P8C MODULAR JACK TAB UP & DOWN**

**WERI PART NO: 615 096 243 321**

SIZE  
**A4**

A

B

C

D