

RECOMMENDED PCB PATTERN LAYOUT
CONNECTOR SIDE

- NOTES:
- 1.COPLANARITY OF TERMINAL AND NAIL:0.1 MAXIMUM.
 - 2.WHEN DELIVERY, THE PUSH/PUSH MECHANISM IS IN THE STATE OF UNLOCK.
 - 3.WHEN DELIVERY, THE DETECT TERMINAL IS IN THE STATE OF CLOSE.
 - 4.PRODUCT SPECIFICATION REFER TO PS-48050-001.
 - 5.PACKAGE SPECIFICATION REFER TO PK-48050-001.

POSITION OF CARD	DETECT TERMINAL
DASHING	CLOSE
LOCK	OPEN
FULL STROKE	OPEN

NO.	DESCRIPTION	QTY	MATERIAL
9	FITTING NAIL	2	COPPER ALLOY, OVERALL: TIN(Sn) PLATING
8	SWITCH	1	COPPER ALLOY, CONTACT AREA:GOLD PLATING
7	DETECT PIN	1	COPPER ALLOY, CONTACT AREA:GOLD PLATING
6	COIL SPRING	1	PIANO WIRE
5	CAM PIN	1	STAINLESS STEEL
4	CAM SLIDER	1	HEAT RESISTANCE POLYMER, UL94V0, BLACK
3	TERMINALS	1	COPPER ALLOY, CONTACT AREA:GOLD PLATING
2	METAL SHELL	1	STAINLESS STEEL
1	HOUSING	1	HEAT RESISTANCE POLYMER, UL94V0, BLACK

PIN NO	PIN NAME(SD MODE)
1	CD/DAT3
2	CMD
3	VSS1
4	VDD
5	CLK
6	VSS2
7	DAT2
8	DAT1
9	DAT2
10	NC(FOR FUTURE USE)
11	NC(FOR FUTURE USE)

DIM'A'	REMARK
2.03	WITHOUT CARD
2.10	WITH CARD INSERTION (ONLY FOR AREA OF 'S')

REVISE
EC NO: SH2006-0214
DRWN:GLLI
CHKD:
APPR:GRMA

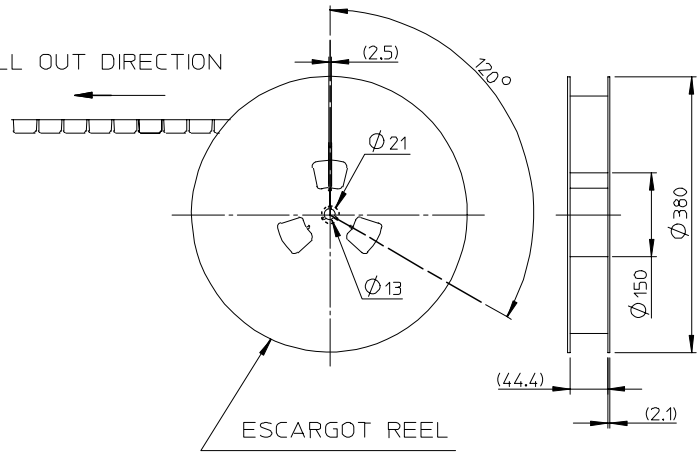
QUALITY SYMBOLS
▽=0
▽C=0

GENERAL TOLERANCES (UNLESS SPECIFIED)
mm INCH
4 PLACES ± --- ± ---
3 PLACES ± --- ± ---
2 PLACES ± 0.15 ± ---
1 PLACE ± 0.25 ± ---
ANGULAR ±1/2°

DIMENSION STYLE
MM ONLY
DRAWN BY DATE
DIXON LI 2005/10/18
CHECKED BY DATE
GRATE MA 2005/10/18
APPROVED BY DATE
GARY CHEN 2005/10/18

SCALE 2:1
DESIGN UNITS METRIC
THIRD ANGLE PROJECTION
SALES DRAWING
MINI SD CONNECTOR
-LEAD FREE-
MOLEX INCORPORATED
DOCUMENT NO. SD-48050-001
SHEET NO. 1 OF 2
MATERIAL NO. 48050-0001

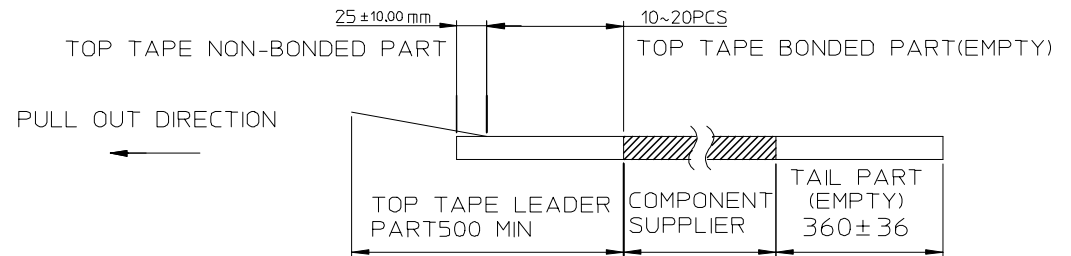
PULL OUT DIRECTION



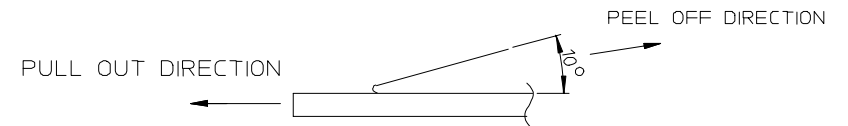
ESCARGOT REEL

NOTES

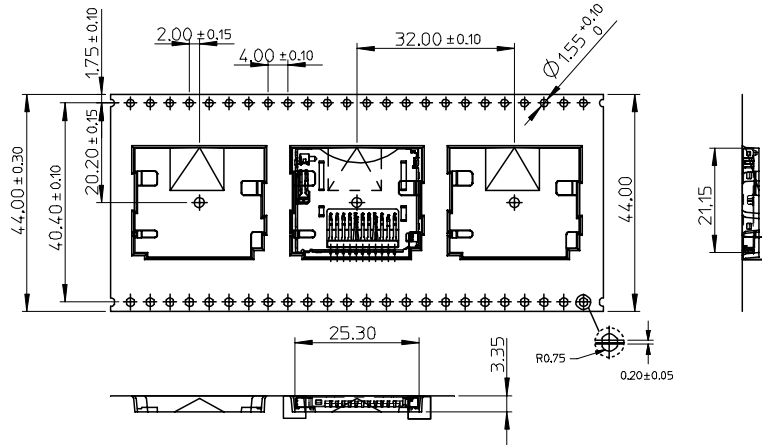
1. NUMBER OF CONNECTORS: 250 PCS/REEL
- 2.



3. PEEL OFF FORCE OF TOP TAPE: 0.1~1.3 N (10.2~130gf)
PEELING DIRECTION AS SHOWN IN FOLLOWING FIG.)
(PEEL OFF SPEED: 300mm/min.REF.)



4. PACKAGING DRAWING REFERS TO PK-48141-001.



PULL OUT DIRECTION

DIRECTION OF CONNECTOR IN EMBOSSED TAPE

REVISE SH:2006-0214 EC NO: SH2006-0214 DRWN:GLLI CHKD: APPR:GRMA	2005/12/12	DESCRIPTION
	2006/01/03	
	2006/01/05	
D	REV	

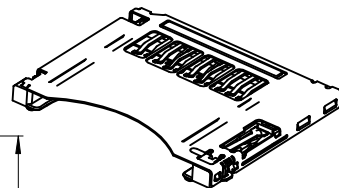
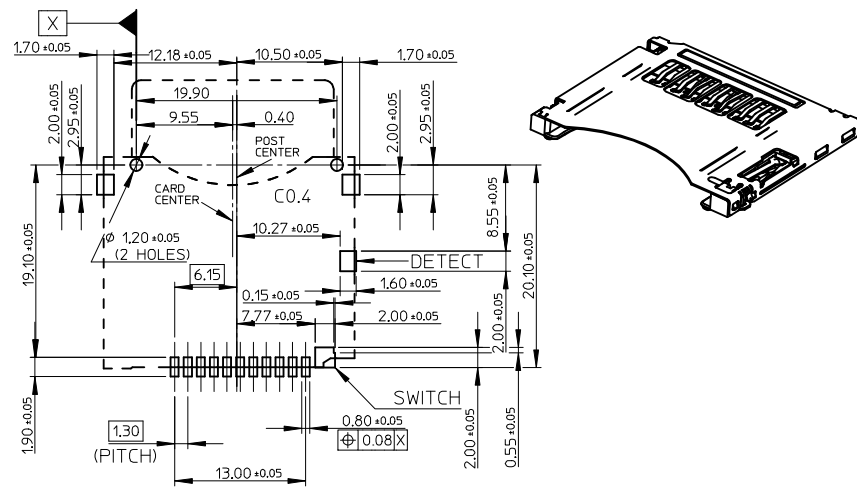
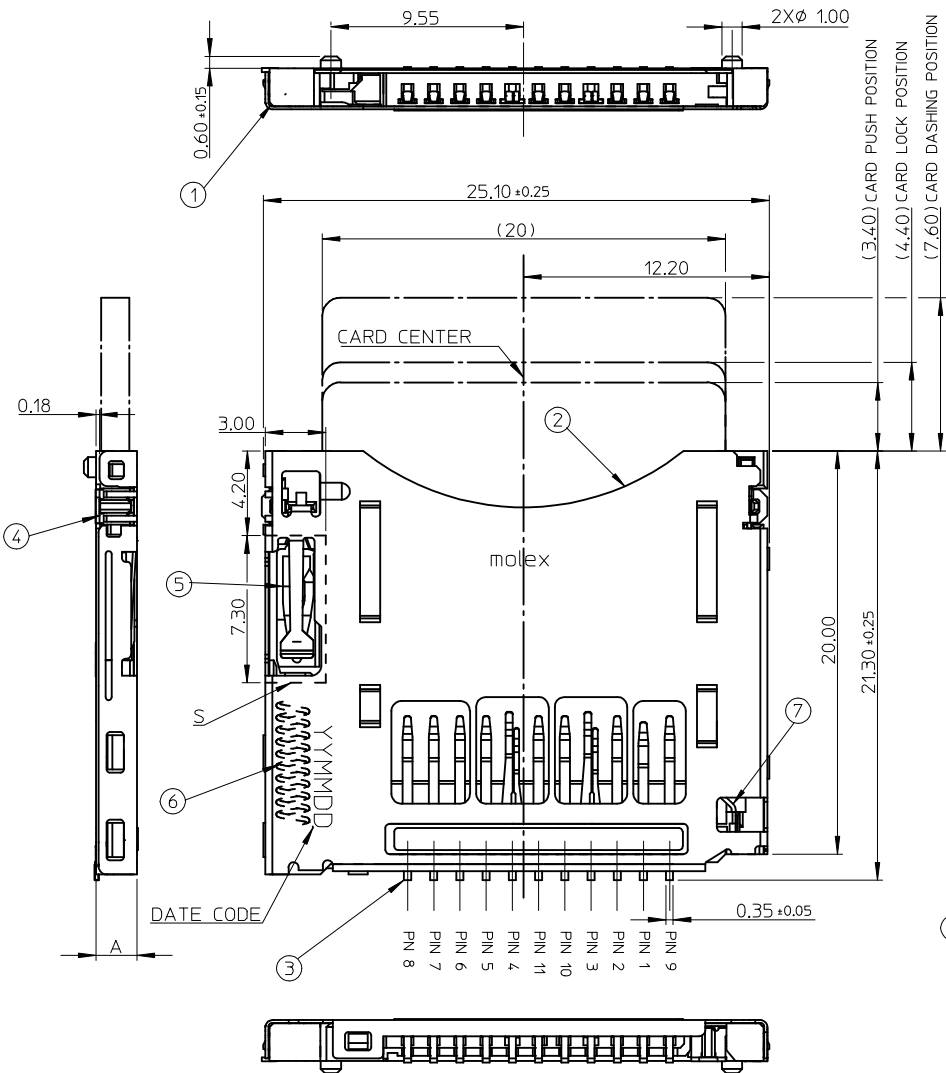
QUALITY SYMBOLS	▽=0
	△=0

GENERAL TOLERANCES (UNLESS SPECIFIED)	mm	INCH
	4 PLACES ± ---	± ---
	3 PLACES ± ---	± ---
	2 PLACES ± 0.15	± ---
	1 PLACE ± 0.25	± ---
	ANGULAR ± 1/2°	
DRAFT WHERE APPLICABLE MUST REMAIN WITHIN DIMENSIONS		

DIMENSION STYLE MM ONLY	
DRAWN BY DIXON LI	DATE 2005/10/18
CHECKED BY GRATE MA	DATE 2005/10/18
APPROVED BY GARY CHEN	DATE 2005/10/18
MATERIAL NO. 48050-0001	

SCALE	DESIGN UNITS METRIC	THIRD ANGLE PROJECTION	
TITLE SALES DRAWING MINI SD CONNECTOR -LEAD FREE-		MOLEX INCORPORATED	
DOCUMENT NO. SD-48050-001	SHEET NO. 2 OF 2		
THIS DRAWING CONTAINS INFORMATION THAT IS PROPRIETARY TO MOLEX INCORPORATED AND SHOULD NOT BE USED WITHOUT WRITTEN PERMISSION			

10 9 8 7 6 5 4 3 2 1



RECOMMENDED PCB PATTERN LAYOUT
CONNECTOR SIDE

NOTES:

- 1.COPLANARITY OF TERMINAL AND NAIL:0.1 MAXIMUM.
- 2.WHEN DELIVERY, THE PUSH/PUSH MECHANISM IS IN THE STATE OF UNLOCK.
- 3.WHEN DELIVERY, THE DETECT TERMINAL IS IN THE STATE OF CLOSE.
- 4.PRODUCT SPECIFICATION REFER TO PS-48050-001.
- 5.PACKAGE SPECIFICATION REFER TO PK-48050-001.

POSITION OF CARD	DETECT TERMINAL
DASHING	CLOSE
LOCK	OPEN
FULL STROKE	OPEN

NO.	DESCRIPTION	QTY	MATERIAL
9	FITTING NAIL	2	COPPER ALLOY, OVERALL: TIN(Sn) PLATING
8	SWITCH	1	COPPER ALLOY, CONTACT AREA:GOLD PLATING
7	DETECT PIN	1	COPPER ALLOY, CONTACT AREA:GOLD PLATING
6	COIL SPRING	1	PIANO WIRE
5	CAM PIN	1	STAINLESS STEEL
4	CAM SLIDER	1	HEAT RESISTANCE POLYMER, UL94V0, BLACK
3	TERMINALS	1	COPPER ALLOY, CONTACT AREA:GOLD PLATING
2	METAL SHELL	1	STAINLESS STEEL
1	HOUSING	1	HEAT RESISTANCE POLYMER, UL94V0, BLACK

PIN NO	PIN NAME(SD MODE)
1	CD/DAT3
2	CMD
3	VSS1
4	VDD
5	CLK
6	VSS2
7	DAT2
8	DAT1
9	DAT2
10	NC(FOR FUTURE USE)
11	NC(FOR FUTURE USE)

DIM'A'	REMARK
2.03	WITHOUT CARD
2.10	WITH CARD INSERTION (ONLY FOR AREA OF 'S')

RTM
EC NO: 2005/04/06
DRWN:GLLI 2005/04/07
CHKD: 2005/04/07
APPR:YTYAP 2005/04/08

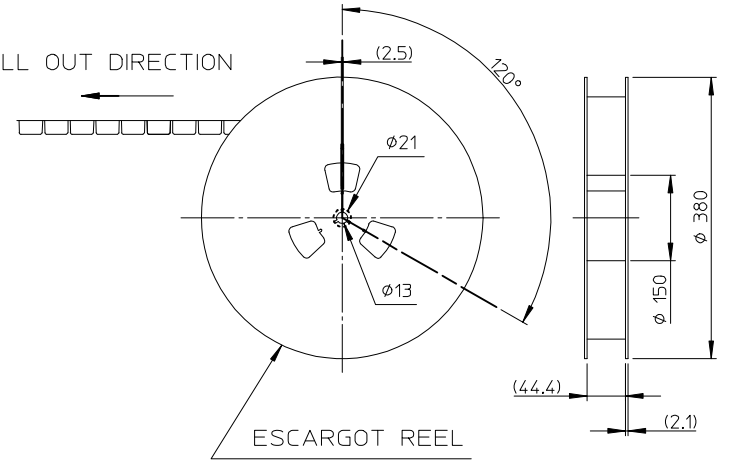
QUALITY SYMBOLS
▽ - 0
∠ - 0
S - 0

GENERAL TOLERANCES (UNLESS SPECIFIED)
mm INCH
4 PLACES ± --- ± ---
3 PLACES ± --- ± ---
2 PLACES ± 0.15 ± ---
1 PLACE ± 0.25 ± ---
ANGULAR ± 1/2°
DRAFT WHERE APPLICABLE
MUST REMAIN WITHIN DIMENSIONS

SCALE 2:1
DESIGN UNITS METRIC
DIMENSION STYLE MM ONLY
DRAWN BY DATE
VPENG 20031015
CHECKED BY DATE
WWSCHANG 20031015
APPROVED BY DATE
ELAN 20031015

THIRD ANGLE PROJECTION
REVISE ON CAD ONLY
TITLE
SALES DRAWING
MINI SD CONNECTOR
-LEAD FREE-
MOLEX INCORPORATED
MATERIAL NO. 48050-0001
DOCUMENT NO. SD-48050-001
SHEET NO. 1 OF 2
THIS DRAWING CONTAINS INFORMATION THAT IS PROPRIETARY TO MOLEX INCORPORATED AND SHOULD NOT BE USED WITHOUT WRITTEN PERMISSION

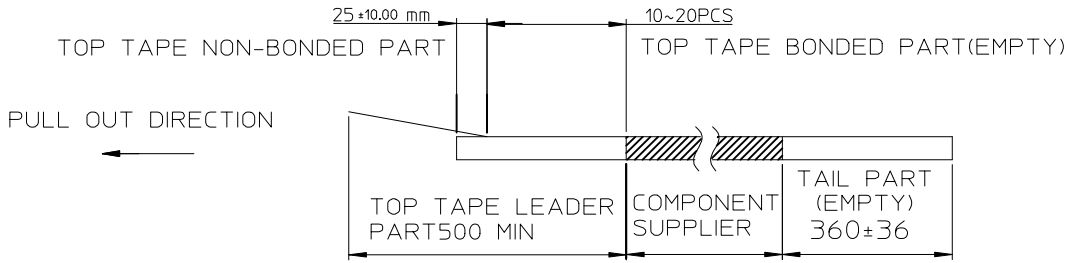
PULL OUT DIRECTION



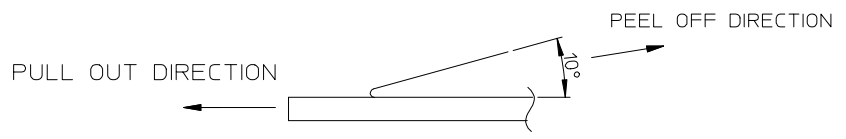
ESCARGOT REEL

NOTES

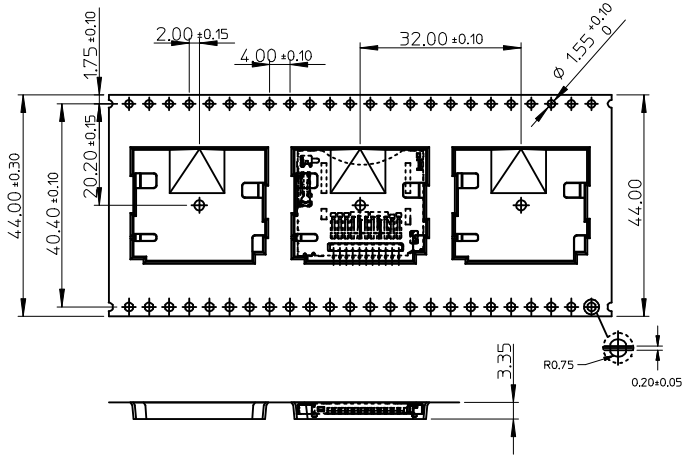
1. NUMBER OF CONNECTORS: 250 PCS/REEL
- 2.



3. PEEL OFF FORCE OF TOP TAPE: 0.1~1.3 N (10.2~130gf)
PEELING DIRECTION AS SHOWN IN FOLLOWING FIG.)
(PEEL OFF SPEED: 300mm/min, REF.)



4. PACKAGING DRAWING REFERS TO PK-48141-001.



PULL OUT DIRECTION

DIRECTION OF CONNECTOR IN EMBOSSED TAPE

RTM SH2005-0114 EC NO: SH2005-0114 DRW: GLLI CH'KD: APPR: YTYAP 2005/04/06 2005/04/07 2005/04/08	QUALITY SYMBOLS ▽=0 ◻=0	GENERAL TOLERANCES (UNLESS SPECIFIED)		DIMENSION STYLE MM ONLY		SCALE	DESIGN UNITS	THIRD ANGLE PROJECTION			
			mm	INCH	DRAWN BY	DATE	TITLE	SALES DRAWING MINI SD CONNECTOR -LEAD FREE-			
		4 PLACES	± ---	± ---	VPENG	20031015					
		3 PLACES	± ---	± ---	CHECKED BY	DATE					
2 PLACES	± 0.15	± ---	WWSCHANG	20031015							
1 PLACE	± 0.25	± ---	APPROVED BY	DATE							
ANGULAR ± 1/2°				ELAN	20031015	MOLEX INCORPORATED					
DRAFT WHERE APPLICABLE MUST REMAIN WITHIN DIMENSIONS				MATERIAL NO.		DOCUMENT NO.		SHEET NO.			
				48050-0001		SD-48050-001		2 OF 2			
				THIS DRAWING CONTAINS INFORMATION THAT IS PROPRIETARY TO MOLEX INCORPORATED AND SHOULD NOT BE USED WITHOUT WRITTEN PERMISSION							