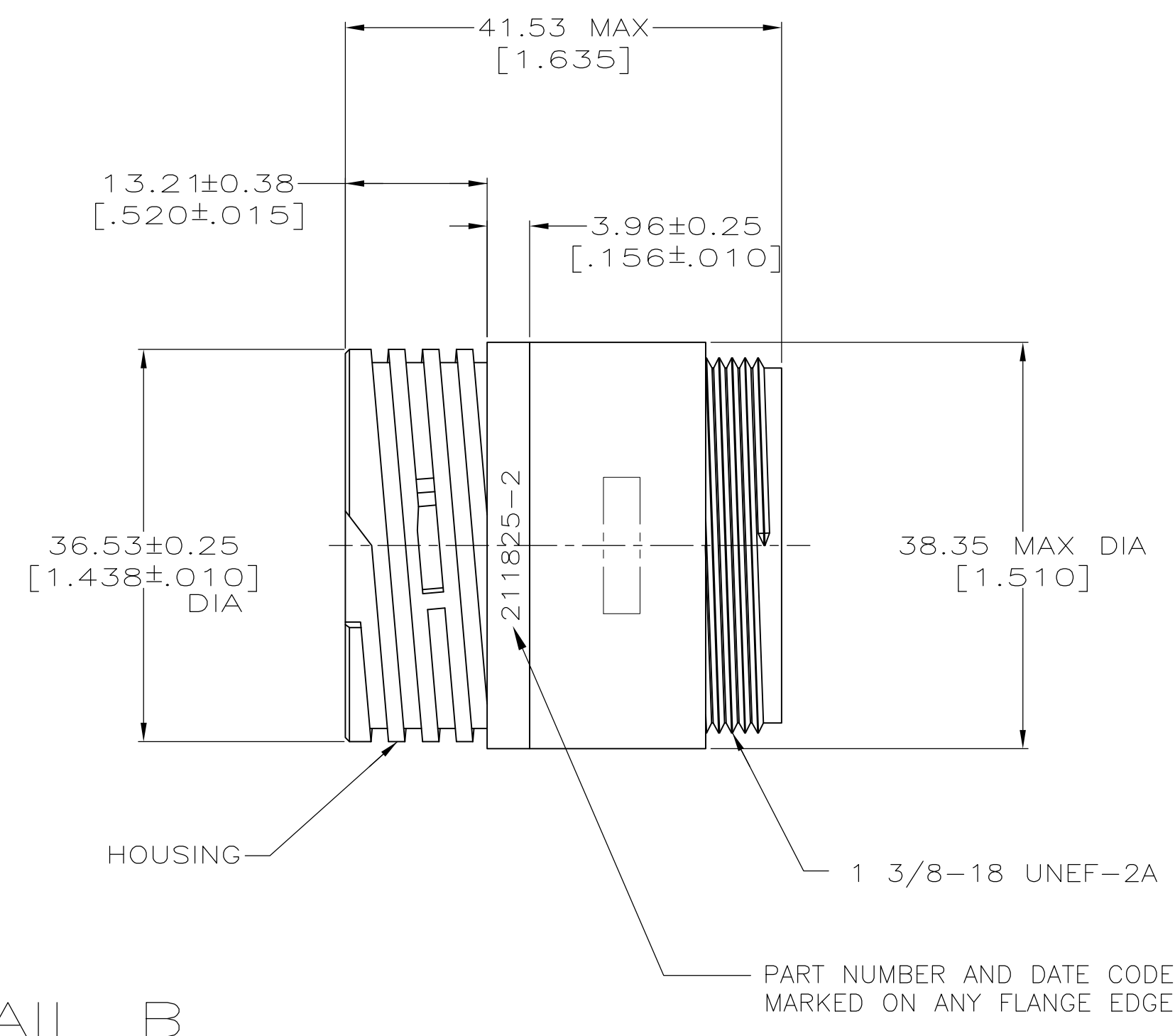
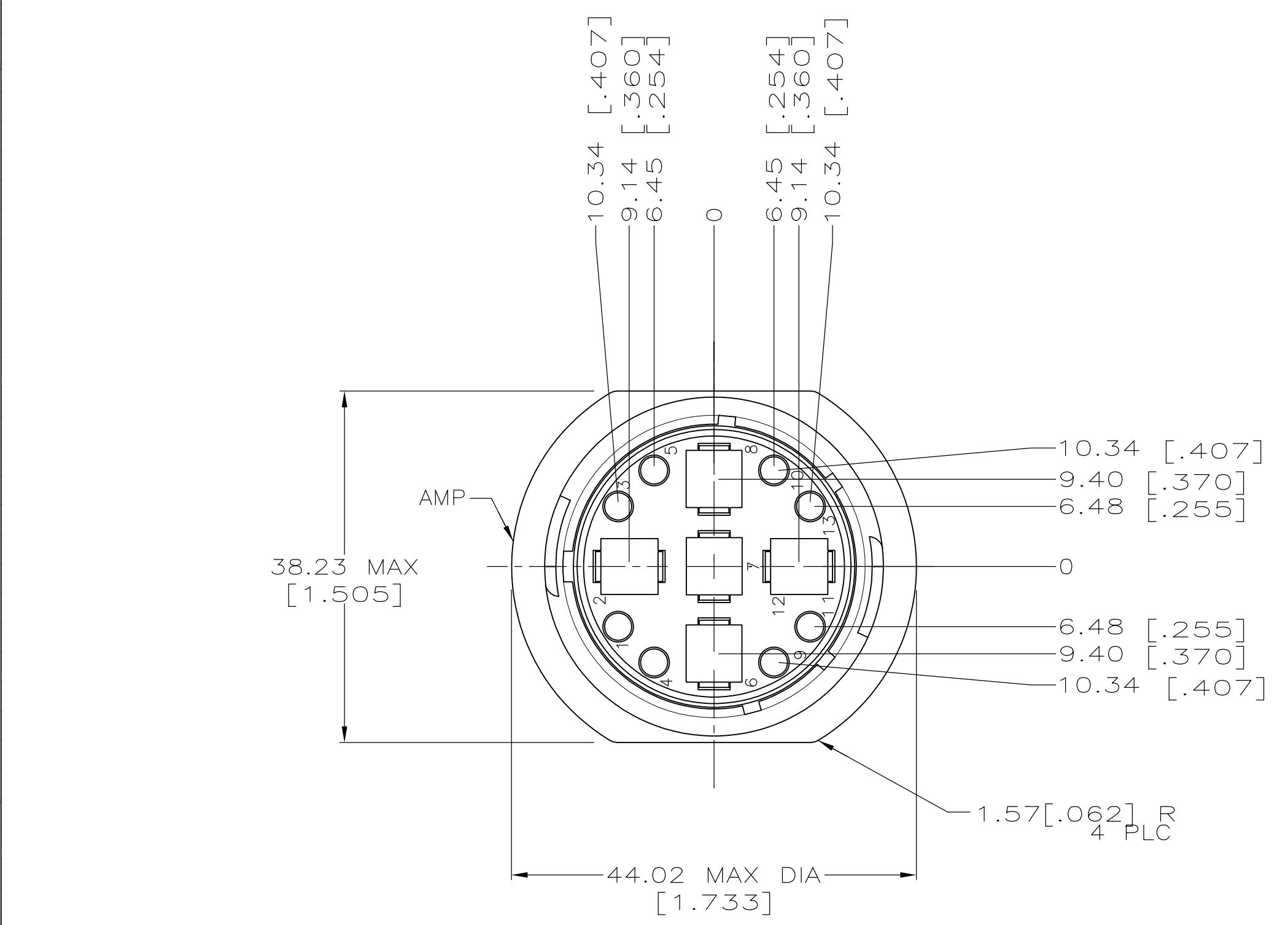


DETAIL A



DETAIL B

- 1 WILL ACCEPT (8) MULTIMATE PINS AND (5) TYPE XII MALE CONTACTS.
- 2 CAVITY IDENTIFICATION ON FRONT AND REAR FACE.
- 3 CAVITY IDENTIFICATION ON FRONT AND REAR FACE.
- 4 MAX WIRE INSULATION DIAMETERS:
MULTIMATE: 3.43[.135] MAX DIA.
TYPE XII: 5.59[.220] MAX DIA.
- 5 THIS RECEPTACLE MATES WITH PLUG ASSEMBLY 211824-1.
- 6 OBSOLETE PARTS: OBSOLETE CIS STREAMLINING PER D.RENAUD/D.SINISI

OBSOLETE	YES	A	211825-3
	NO	B	211825-2
	NO	A	211825-1
PERIPHERAL SEAL	SEE DETAIL	PART NUMBER	

THIS DRAWING IS A CONTROLLED DOCUMENT.		DIN M. BINNER 05/26/94	TE Connectivity	
DIMENSIONS: mm [INCHES]		CHK R. STONE 6-23-94		
TOLERANCES UNLESS OTHERWISE SPECIFIED:		APVD A. FRANTUM 7-13-94	NAME	
0 PLC ± -		PRODUCT SPEC		
1 PLC ± -		108-10024		
2 PLC ± ± 0.13[.005]		APPLICATION SPEC		
3 PLC ± -		SIZE		
4 PLC ± -		CASE CODE		
ANGLES ± -		DRAWING NO		
MATERIAL HOUSING: NYLON, BLACK	FINISH -	WEIGHT -	RESTRICTED TO	
CUSTOMER DRAWING		A1 00779 C=211825		SCALE 2:1 SHEET 1 OF 1 REV F