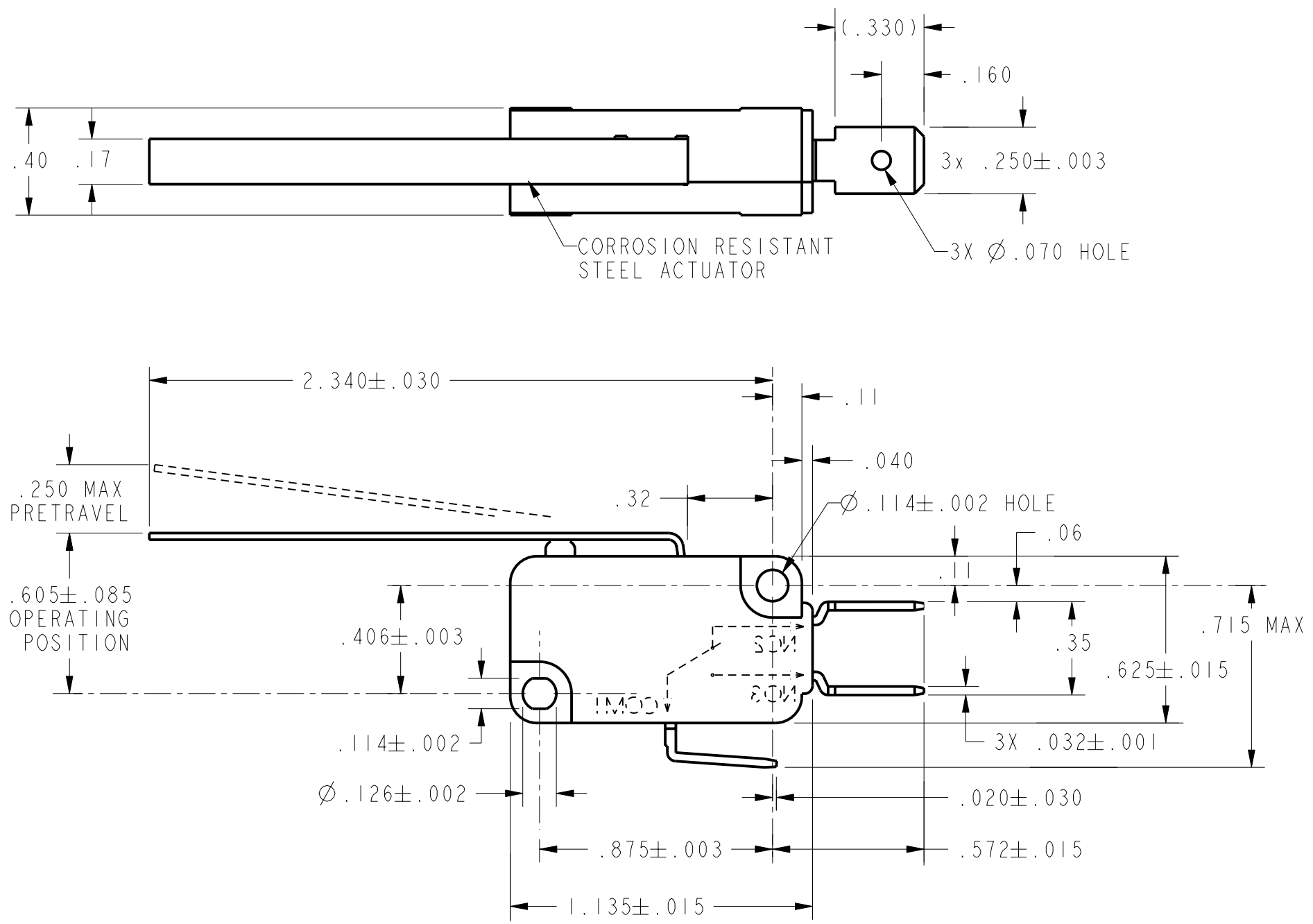





CW-B9035

REV	DOCUMENT	CHANGED BY	CHECK
6	202161	TSM 19JAN01	SAV
7	207439	TSM 13FEB03	SAV



CHARACTERISTICS	
OPERATING FORCE-----	55 GRAMS MAX
RELEASE FORCE -----	3 GRAMS MIN
DIFFERENTIAL TRAVEL -----	.055 MAX
OVERTRAVEL -----	.120 MIN
RELEASE TRAVEL -----	.030 MIN

ELECTRICAL DATA	
CONTACT ARRANGEMENT S P D T	
21A 1HP 125, 250, 277 VAC 2HP 250, 277 VAC	
 	

UNLESS OTHERWISE SPECIFIED TOLERANCES ARE:			
NO PLACE	X	±.040	±1
ONE PLACE	.X	±.030	±0,4
TWO PLACE	.XX	±.015	±0,15
THREE PLACE	.XXX	±.005	±
ANGLES		±	±
RAW MATERIAL-COMMERCIAL STANDARD			
THIRD ANGLE PROJECTION			
			

DRAWN	TSM	19JAN01
CHECK	SAV	19JAN01
THIS DRAWING COVERS A PROPRIETARY ITEM AND IS THE PROPERTY OF HONEYWELL. THIS DRAWING IS NOT TO BE COPIED OR USED WITHOUT THE PERMISSION OF HONEYWELL.		
DIMENSIONS ARE TO BE MET BEFORE PROTECTIVE COATINGS ARE APPLIED		
PTC 2D	ASME Y14.5M-1994	

Honeywell			
TITLE SWITCH, BASIC			
SIZE	DWG TYPE	DRAWING NAME	REV
B	I	V7-1V19E9-048	7
SCALE 2 : 1		WEIGHT	SHEET 1 OF 1