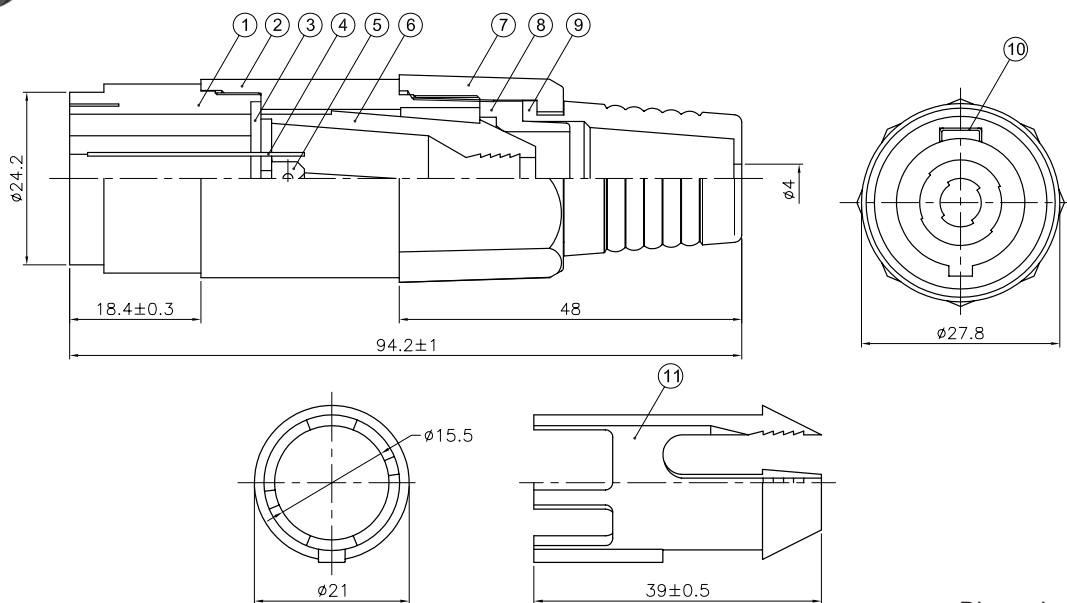


4P Male Inline Speaker Connector W/Metal Flange



Dimensions : Millimetres

No.	Description	Material	Finish	Qty.
1	Plastic Shell	PA	Black	1
2	Body	PA	Black	1
3	Black Cover	PA	Black	1
4	Terminal	Phosphor Bronze	Gold	1
6	Cable Clamp	PA	White	1
7	Cap	ABS	Blue	1
8	T-Ring	PP	White	1
9	Boot	PVC	Black	1
10	Metal	PVC	Black	1
11	Big Cable Clamp	PA	White	1

Part Number Table

Description	Part Number
4P Male Inline Speaker Connector	MC001456

Important Notice : This data sheet and its contents (the "Information") belong to the members of the Premier Farnell group of companies (the "Group") or are licensed to it. No licence is granted for the use of it other than for information purposes in connection with the products to which it relates. No licence of any intellectual property rights is granted. The Information is subject to change without notice and replaces all data sheets previously supplied. The Information supplied is believed to be accurate but the Group assumes no responsibility for its accuracy or completeness, any error in or omission from it or for any use made of it. Users of this data sheet should check for themselves the Information and the suitability of the products for their purpose and not make any assumptions based on information included or omitted. Liability for loss or damage resulting from any reliance on the Information or use of it (including liability resulting from negligence or where the Group was aware of the possibility of such loss or damage arising) is excluded. This will not operate to limit or restrict the Group's liability for death or personal injury resulting from its negligence. Multicomp is the registered trademark of the Group. © Premier Farnell plc 2012.

www.element14.com
www.farnell.com
www.newark.com

