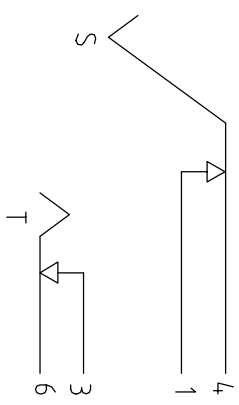
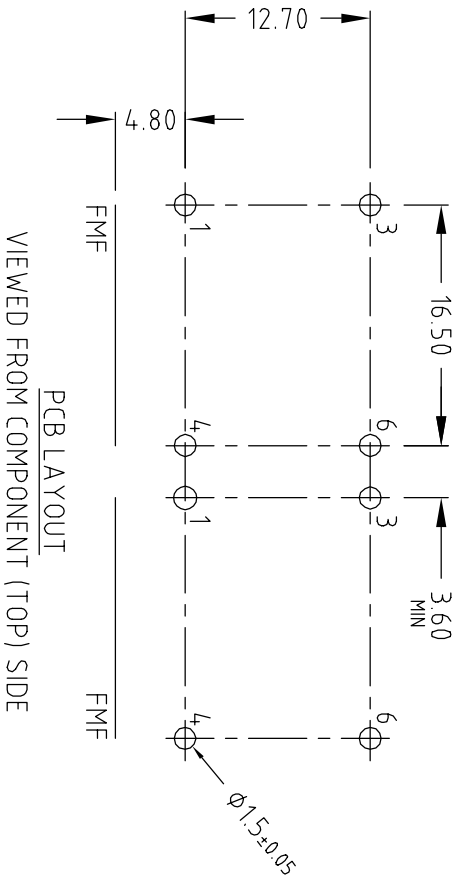


SCHEMATIC



MONO (BNB) JACK
 SWITCH CONTACTS OPEN WHEN
 PLUG IS INSERTED + CLOSE
 WHEN PLUG IS WITHDRAWN.



NOTES:-
 1) NUT & WASHER SUPPLIED UNASSEMBLED BULK PACKED.
 2) MAXIMUM PANEL THICKNESS: 4.6mm.

Cliff Electronic Components Ltd.
 76 Homehorpe Avenue, Homehorpe Industrial Estate,
 Redhill, Surrey, RH1 2PF, England, UK
 Tel: 01737-77375 Fax: 01737-766012 Website: www.cliffuk.co.uk

DIMENSIONS IN MILLIMETERS UNLESS OTHERWISE STATED. WORK TO DIMENSIONS. REMOVE ALL BURRS. IF IN DOUBT ASK.

MATERIAL: **NYLON / NIAG / FIBRE / PP**

FINISH: **AS MOULDED / MICROFINISH**

DRAWN: **NJB**

TITLE: **S2/BNB/PC-C/MNW UNASSEMBLED**

ANGLE PROJECTION:

DRWG. No. **CL 1166U**

DO NOT SCALE

FORM: **ADDRWGH**

ROHS COMPLIANT

TOLERANCE

NODEC. PLACE ±

1 DEC. PLACE ±

2 DEC. PLACE ±

HOLE Ø ±

ANGLES ±

UNLESS OTHERWISE STATED

ISS.	AMEND	DATE
1	ISSUED	10/10/2016