

REVISIONS				
EC NO	DATE	REV	DESCRIPTION	CHANGER
	2016.07.26	A	INITIAL RELEASE.	DICK

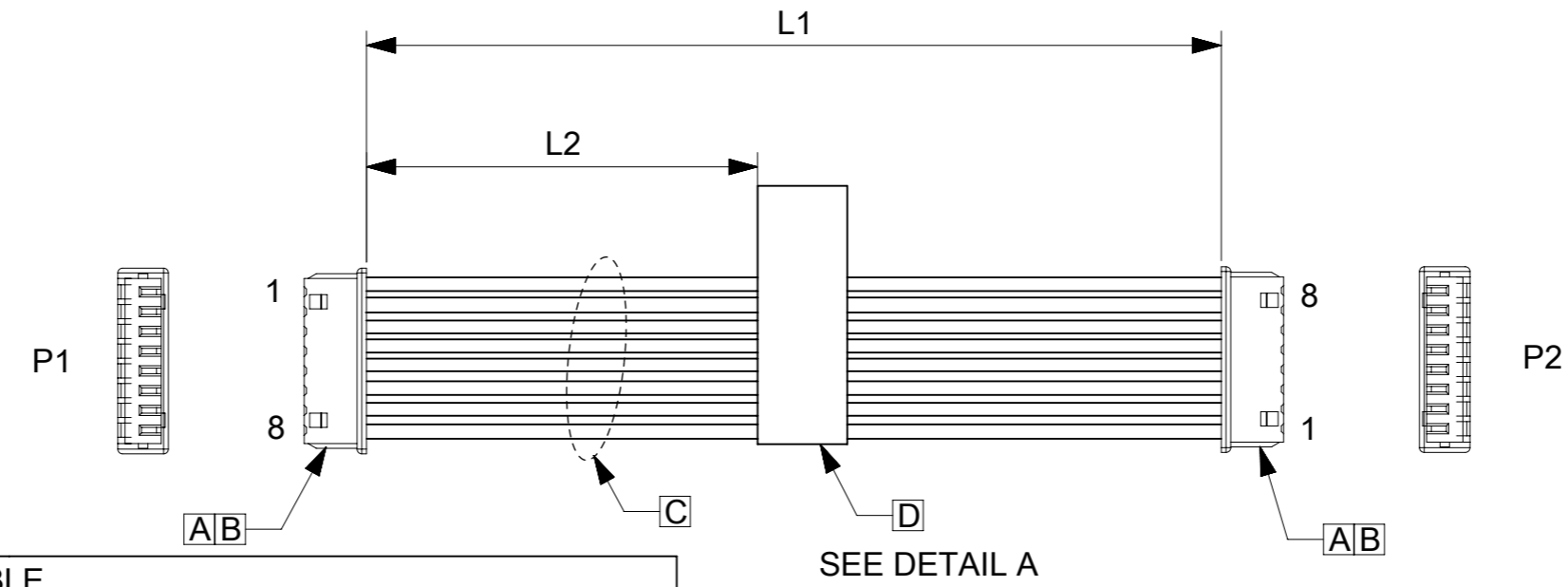
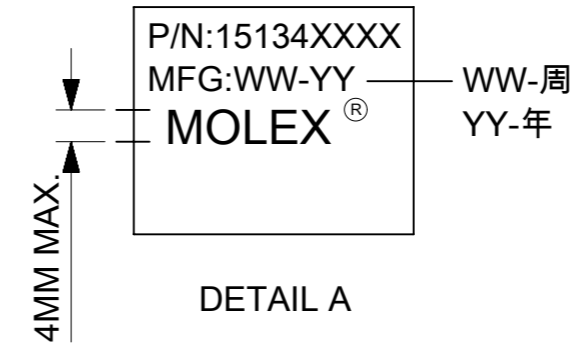


TABLE			
PART NUMBER	L1	L2	TITLE
151340800	50±6	20±5	Picoblade 8 Circuit 50MM
151340801	100±6	45±5	Picoblade 8 Circuit 100MM
151340802	150±8	70±5	Picoblade 8 Circuit 150MM
151340803	300±10	145±10	Picoblade 8 Circuit 300MM
151340805	450±10	220±10	Picoblade 8 Circuit 450MM
151340806	600±10	295±10	Picoblade 8 Circuit 600MM



- NOTES**
1. THIS PRODUCT MUST MEET 2011/65/EU ROHS COMPLIANCE.  
此产品需符合 2011/65/EU ROHS环保要求.
  2. ELECTRICAL PERFORMANCE REFER TO ES-000.  
电气特性参考ES-000.
  3. LABEL TEXT MUST BE 2mm MAX. IN HEIGHT WITH ARIAL FONT.  
标签字高最大2mm,字体ARIAL.
  4. STICK UL LABEL ON THE OUTSIDE CARTON.  
外箱上贴UL标签.

ITEM	DESCRIPTION	L(MM)	Q'TY
D	Blank label 12.7x35.5mm (WHT:12.7mm) HF		1
C	UL&CSA 1061/#28 STR BLK	A/R	
B	1.25MM CRIMP REC TERMINAL		16
A	8CKT RECEPTACLE HOUSING		2

WIRING CHART		
P1	P2	COLOR
1	8	BLACK
2	7	BLACK
3	6	BLACK
4	5	BLACK
5	4	BLACK
6	3	BLACK
7	2	BLACK
8	1	BLACK

<b>QUALITY SYMBOLS</b> 	THIS DRAWING CONTAINS INFORMATION THAT IS PROPRIETARY TO MOLEX ELECTRONIC TECHNOLOGIES, LLC AND SHOULD NOT BE USED WITHOUT WRITTEN PERMISSION		DIMENSION UNITS: <b>MM</b> SCALE: <b>NTS</b>			
	EC NO: 106943 DRWN: WLXIE CHK'D: DHUANG16 REV APPR: YXZOU	GENERAL TOLERANCES (UNLESS SPECIFIED) ANGULAR TOL ± °		DRWN BY: <b>WLXIE</b> DATE: <b>2016/07/11</b>		<b>SEE TABLE</b>
		4 PLACES ±    3 PLACES ±    2 PLACES ±    1 PLACE ±    0 PLACES ±		CHK'D BY: <b>DHUANG16</b> DATE: <b>2016/07/24</b>		
		DRAFT WHERE APPLICABLE MUST REMAIN WITHIN DIMENSIONS		APPR BY:    DATE:		
<b>A</b>		DRAWING SIZE: <b>A3</b> THIRD ANGLE PROJECTION:	<b>PRODUCT CUSTOMER DRAWING</b>			
RELEASE STATUS: P1    RELEASE DATE: 28.07.2016 02:47:15		SERIES: 201234    MATERIAL NUMBER: SEE TABLE    CUSTOMER: GENERAL MARKET		DOCUMENT NUMBER: 2012341360    DOC TYPE: PSD    DOC PART: 000    SHEET NUMBER: 1 OF 1		