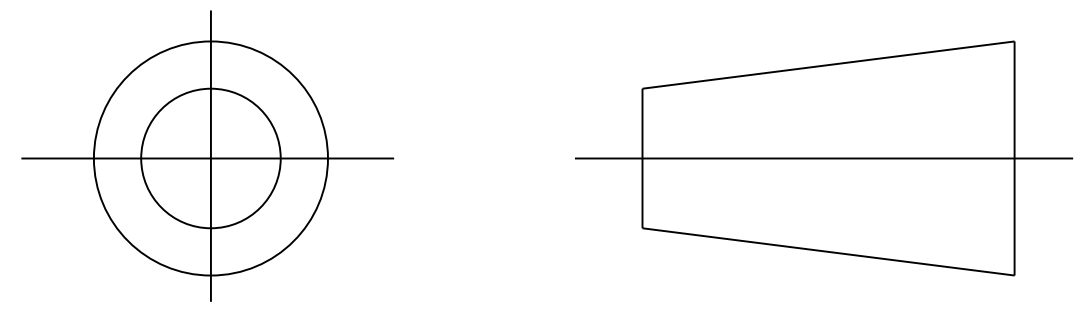


DRAWING No.
152104

SHT. 1
OF
1 SHTS.

© THE COPYRIGHT OF THIS DRAWING IS RESERVED BY HELLERMANN TYTON. IT IS ISSUED ON CONDITION THAT IT IS NOT COPIED, REPRODUCED OR DISCLOSED TO A THIRD PARTY EITHER WHOLLY OR IN PART WITHOUT THE CONSENT IN WRITING OF HELLERMANN TYTON.

THIRD ANGLE PROJECTION

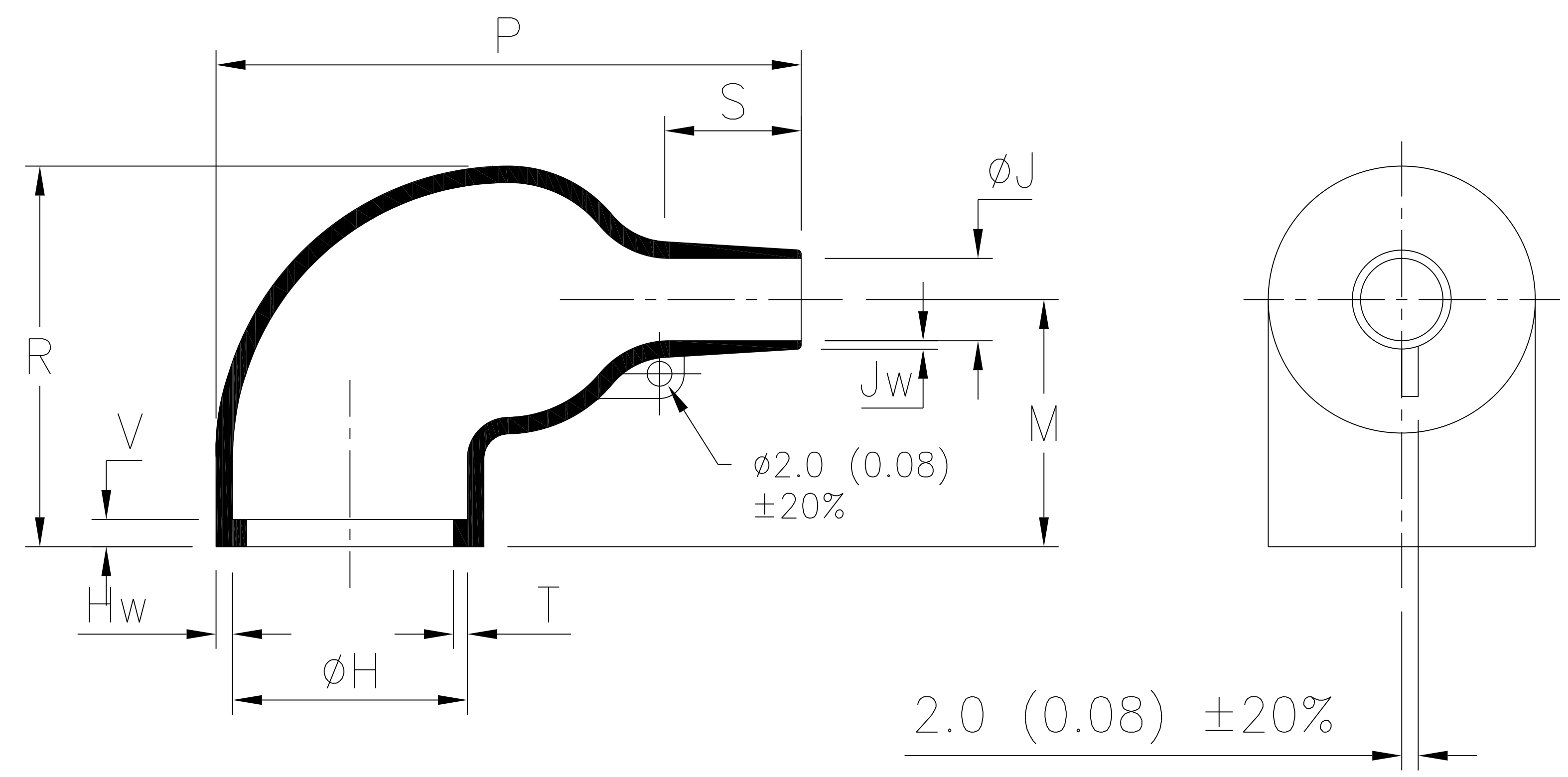


BS 8888

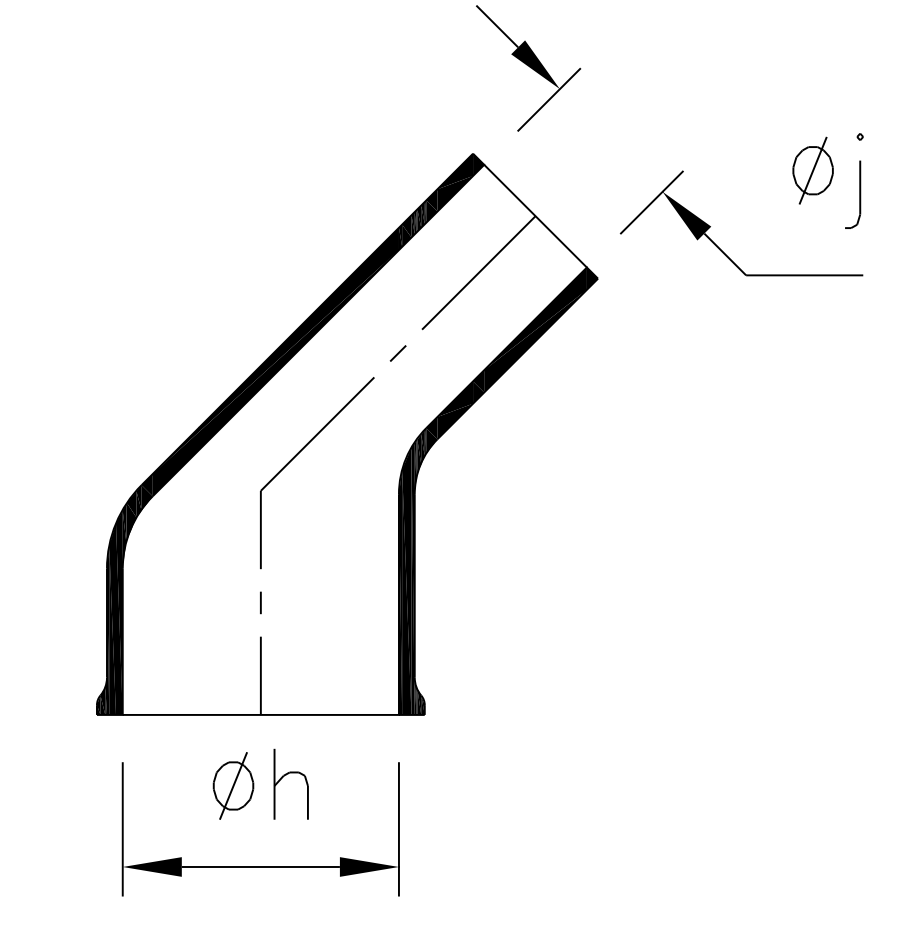
DO NOT SCALE
IF IN DOUBT ASK

| | |
|----------|----------------|
| Q.A. | H/S SETT |
| H/S Q.A. | REL. INSP. |
| H/S PROD | EXT. ISS. CODE |

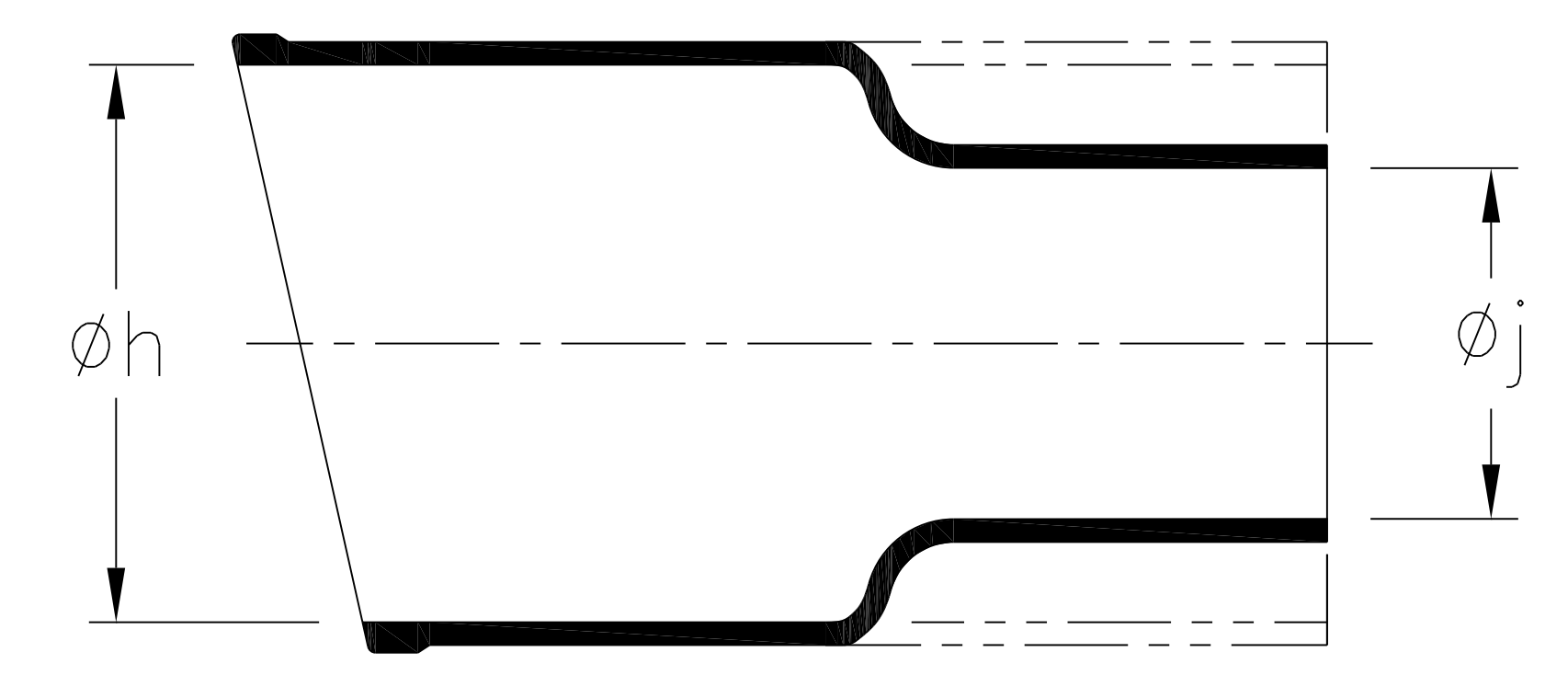
STANDARD PART (AFTER UNRESTRICTED RECOVERY)



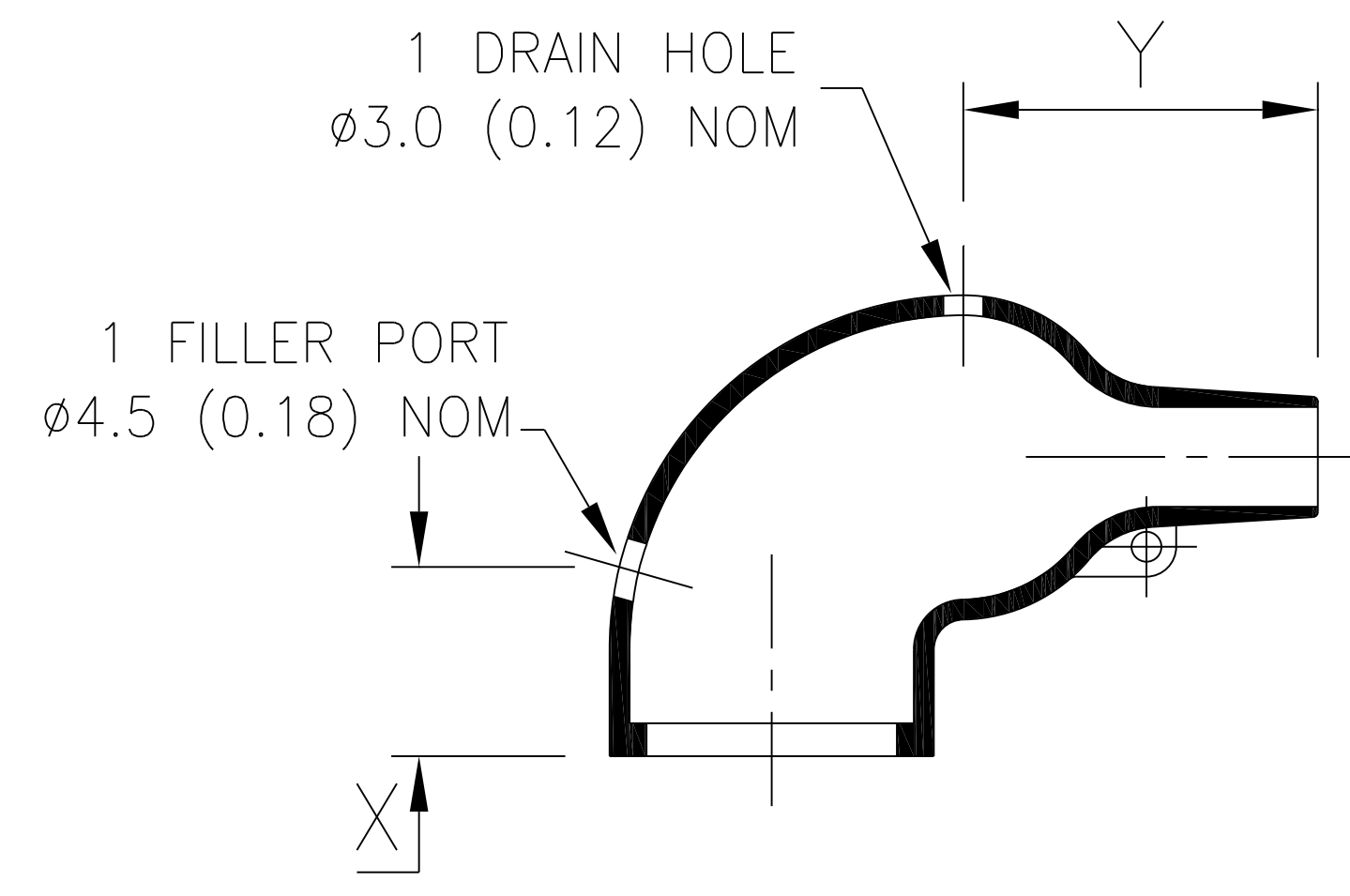
1157-1 DETAIL EXPANDED (AS SUPPLIED)



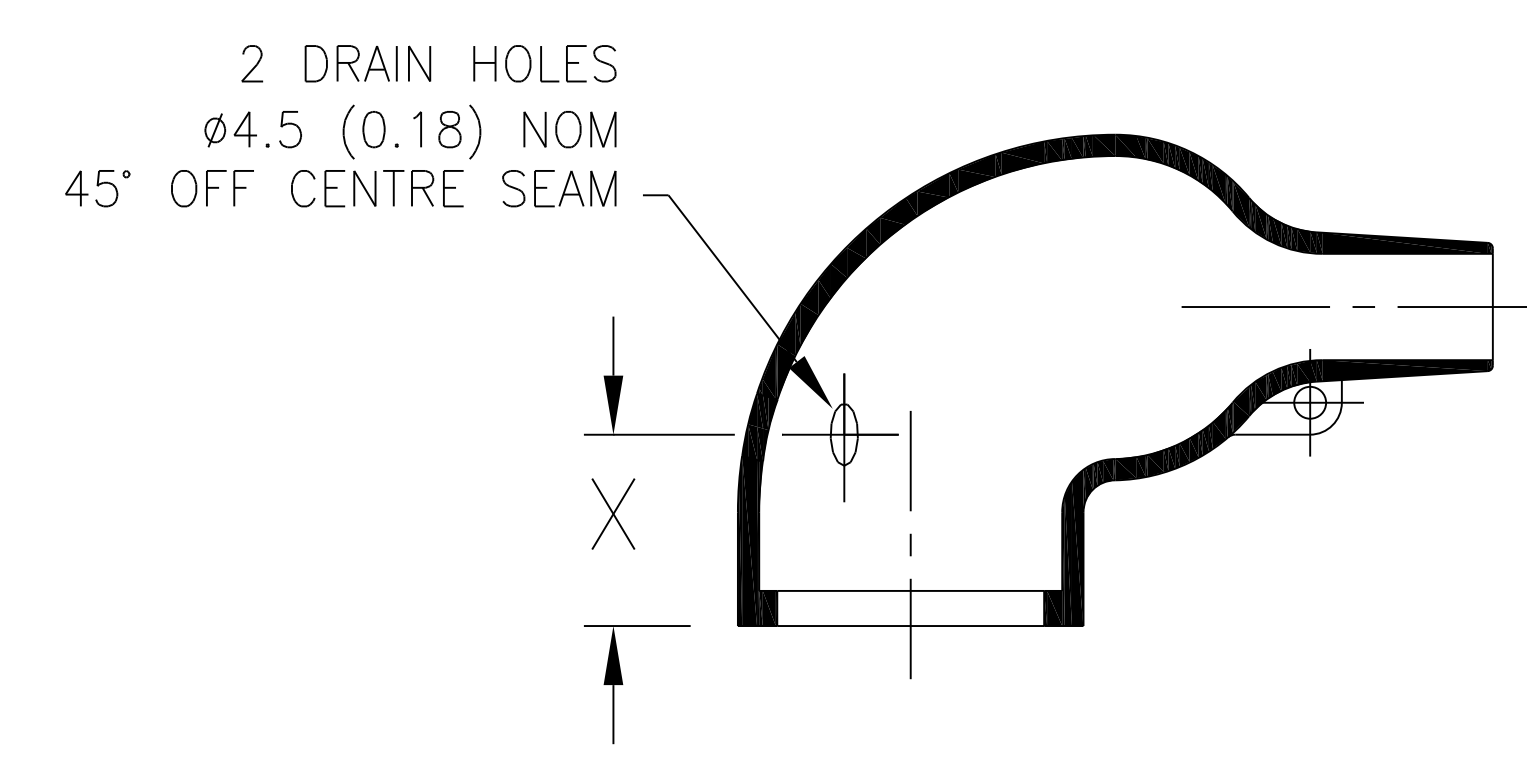
1157-4 (STRAIGHT) & 1157-6 (STEPPED) EXPANDED (AS SUPPLIED)



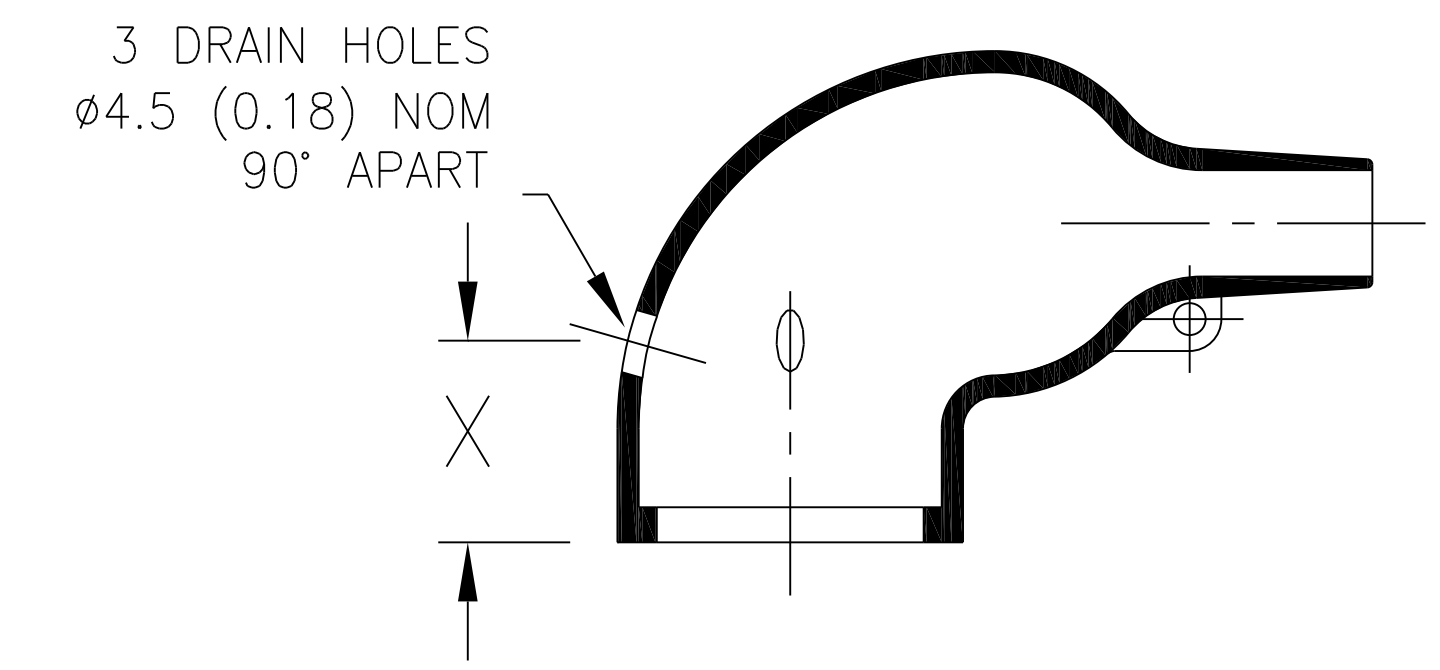
OPTION TO STANDARD PART
FILLER PORT (CODE P)



OPTION TO STANDARD PART
DRAIN HOLES (CODE D2)



OPTION TO STANDARD PART
DRAIN HOLES (CODE D3)



| SPEC. | PART No. | EXPANDED DIAMETERS (AS SUPPLIED) | | RECOVERED DIAMETERS | | RECOVERED DIMENSIONS | | | | | | | |
|----------------------|----------|----------------------------------|--------------|---------------------|--------------|----------------------|--------------|--------------|--------------|---------------|---------------|---------------|---------------|
| | | phi h | phi j | phi H | phi J | M | P | R | S | T | V | Hw | Jw |
| | | MIN | MIN | MAX | MAX | NOM | ±20% | ±10% | NOM | ±20% | MAX | ±20% | ±30% |
| - | 1157-1 | 43 (1.69) | 25 (0.98) | 28.5 (1.12) | 10 (0.39) | 30 (1.18) | 71 (2.80) | 45 (1.77) | 16 (0.63) | 1.7 (0.07) | 3.3 (0.13) | 2.0 (0.08) | 1.0 (0.04) |
| VG 95343 T06E005A | 1157-4 | 43 (1.69) | 43 (1.69) | 28.5 (1.12) | 10 (0.39) | 30 (1.18) | 71 (2.80) | 45 (1.77) | 16 (0.63) | 1.7 (0.07) | 3.3 (0.13) | 2.0 (0.08) | 1.0 (0.04) |
| - | 1157-6 | 43 (1.69) | 25 (0.98) | 28.5 (1.12) | 10 (0.39) | 30 (1.18) | 71 (2.80) | 45 (1.77) | 16 (0.63) | 1.7 (0.07) | 3.3 (0.13) | 2.0 (0.08) | 1.0 (0.04) |

OPTIONAL
FILLER PORT DETAIL (CODE P)

| SPEC. | PART No. | RECOVERED DIMENSIONS | |
|----------------------|----------|----------------------|--------------|
| | | X | Y |
| | | ±20% | ±20% |
| - | 1157-1 | 25 (0.98) | 30 (1.18) |
| VG 95343 T07E005A | 1157-4 | 25 (0.98) | 30 (1.18) |
| - | 1157-6 | 25 (0.98) | 30 (1.18) |

OPTIONAL
FILLER PORT DETAIL (CODE D2 & D3)

| PART No. | CODE | RECOVERED DIMENSIONS |
|----------|-------|----------------------|
| | | X |
| | | ±20% |
| 1157-1 | D2/D3 | 25 (0.98) |
| 1157-4 | D2/D3 | 25 (0.98) |
| 1157-6 | D2/D3 | 25 (0.98) |

| | | | |
|-------|----------|-------|----------|
| 6 | P1499 | GL | 24/02/15 |
| 5 | P1446 | G.B. | 14/02/14 |
| 4 | P1434 | G.B. | 08/11/11 |
| 3 | P1362 | DJC | 05/10/11 |
| 2 | P1329 | G.B. | 11/10/10 |
| ISSUE | NOTE No. | DRAWN | DATE |

HellermannTyton
William Prance Road,
Plymouth International Med. & Tech. Park,
Plymouth, PL6 5WR
Tel ++44 (0) 1752 701261
Fax ++44 (0) 1752 790058

| | | | | | | |
|-------|------------------|---------|------------|----------|--|-------------------------|
| NAME | S.Almond | SCALE | NTS | ADHESIVE | A3 ORIGINAL SHEET SIZE 420mm x 297mm | SHT. 1 OF 1 SHTS. |
| DATE | 18/04/08 | DIMS IN | mm (in) | | | |
| TITLE | RT. ANGLE SLEEVE | | | PART No. | DRAWING No. | |
| | | | | 1157 | 152104 | |