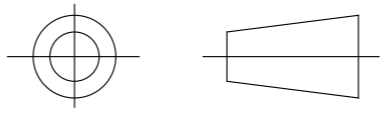


DRAWING No.
152180

SHT. 1
OF
1 SHTS.

© THE COPYRIGHT OF THIS DRAWING IS RESERVED BY HELLERMANN TYTON. IT IS ISSUED ON CONDITION THAT IT IS NOT COPIED, REPRODUCED OR DISCLOSED TO A THIRD PARTY EITHER WHOLLY OR IN PART WITHOUT THE CONSENT IN WRITING OF HELLERMANN TYTON.

THIRD ANGLE PROJECTION

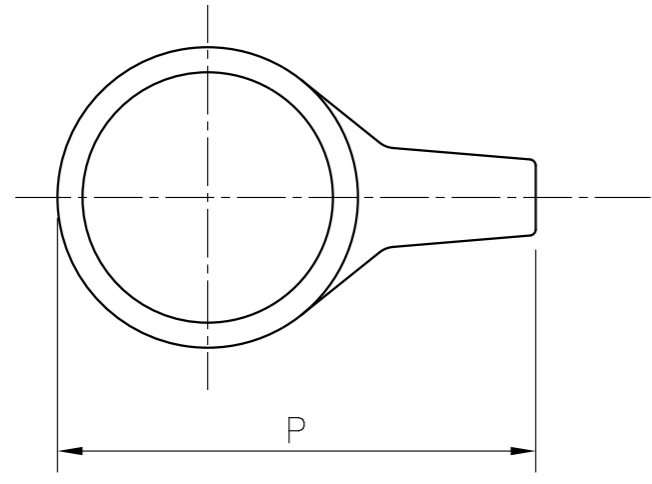
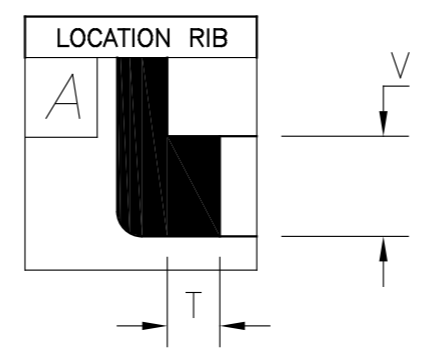
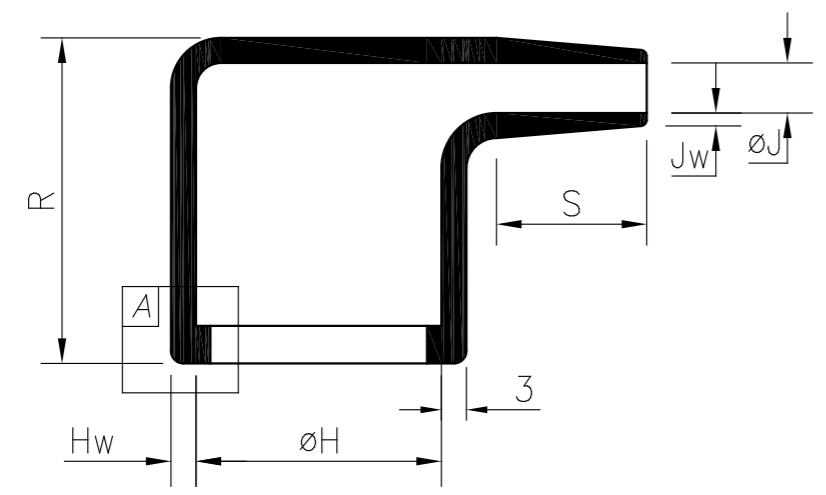


BS 8888

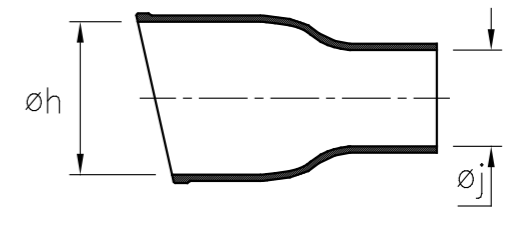
DO NOT SCALE
IF IN DOUBT ASK

Q.A.	H/S SETT
H/S Q.A.	REL. INSP.
H/S PROD	EXT.ISS.CODE

STANDARD PART (AFTER UNRESTRICTED RECOVERY)



EXPANDED (AS SUPPLIED)



PART No.	EXPANDED DIAMETERS (AS SUPPLIED)		RECOVERED DIAMETERS		RECOVERED DIMENSIONS							APPROX. WEIGHT (g)
	øh	øj	øH	øJ	P	R	S	T	V	Hw	Jw	
	MIN	MIN	MAX	MAX	±10%	±10%	±10%	±20%	MAX	±20%	±30%	
1182-4	12.0 (0.47)	6.0 (0.24)	6.6 (0.26)	2.0 (0.08)	16.8 (0.66)	13.0 (0.51)	6.0 (0.24)	0.3 (0.01)	1.5 (0.06)	1.5 (0.06)	0.5 (0.02)	0.4
1182-5	12.0 (0.47)	4.0 (0.16)	6.6 (0.26)	2.0 (0.08)	16.8 (0.66)	13.0 (0.51)	6.0 (0.24)	0.3 (0.01)	1.5 (0.06)	1.5 (0.06)	0.5 (0.02)	0.4

NOTE (1182-4 ONLY)
2.0mm DIAMETER TAIL DIMENSION EXPANDED TO 6.0mm WILL ACCOMODATE MIN & MAX WIRE BUNDLES

MIN - 2.5mm DIA.
MAX - 4.5mm DIA.

5	P1410	G.B.	26/04/13
4	P1274	G.B.	19/05/09
3	P1251	G.B.	07/01/09
2	P1247	G.B.	10/12/08
1	P1201	S.Almond	28/05/08
ISSUE	NOTE No.	DRAWN	DATE

HellermannTyton
William Prance Road,
Plymouth International Med. & Tech. Park,
Plymouth, PL6 5WR
Tel ++44 (0) 1752 701261
Fax ++44 (0) 1752 790058

NAME	S.Almond	SCALE	NTS
DATE	28/05/08	DIMS IN	mm (in)
TITLE	RT. ANGLE BOOT (RIBBED)		

ADHESIVE	A3	SHT. 1
	ORIGINAL SHEET SIZE 420mm x 297mm	OF
PART No.	1182	1 SHTS.
DRAWING No.	152180	