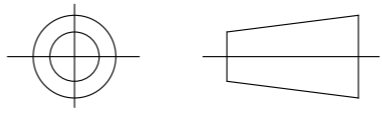


DRAWING No.
152157

SHT. 1
OF
1 SHTS.

© THE COPYRIGHT OF THIS DRAWING IS RESERVED BY HELLERMANN TYTON. IT IS ISSUED ON CONDITION THAT IT IS NOT COPIED, REPRODUCED OR DISCLOSED TO A THIRD PARTY EITHER WHOLLY OR IN PART WITHOUT THE CONSENT IN WRITING OF HELLERMANN TYTON.

THIRD ANGLE PROJECTION



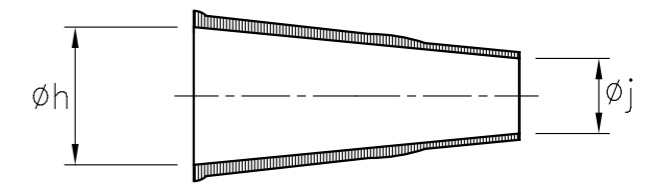
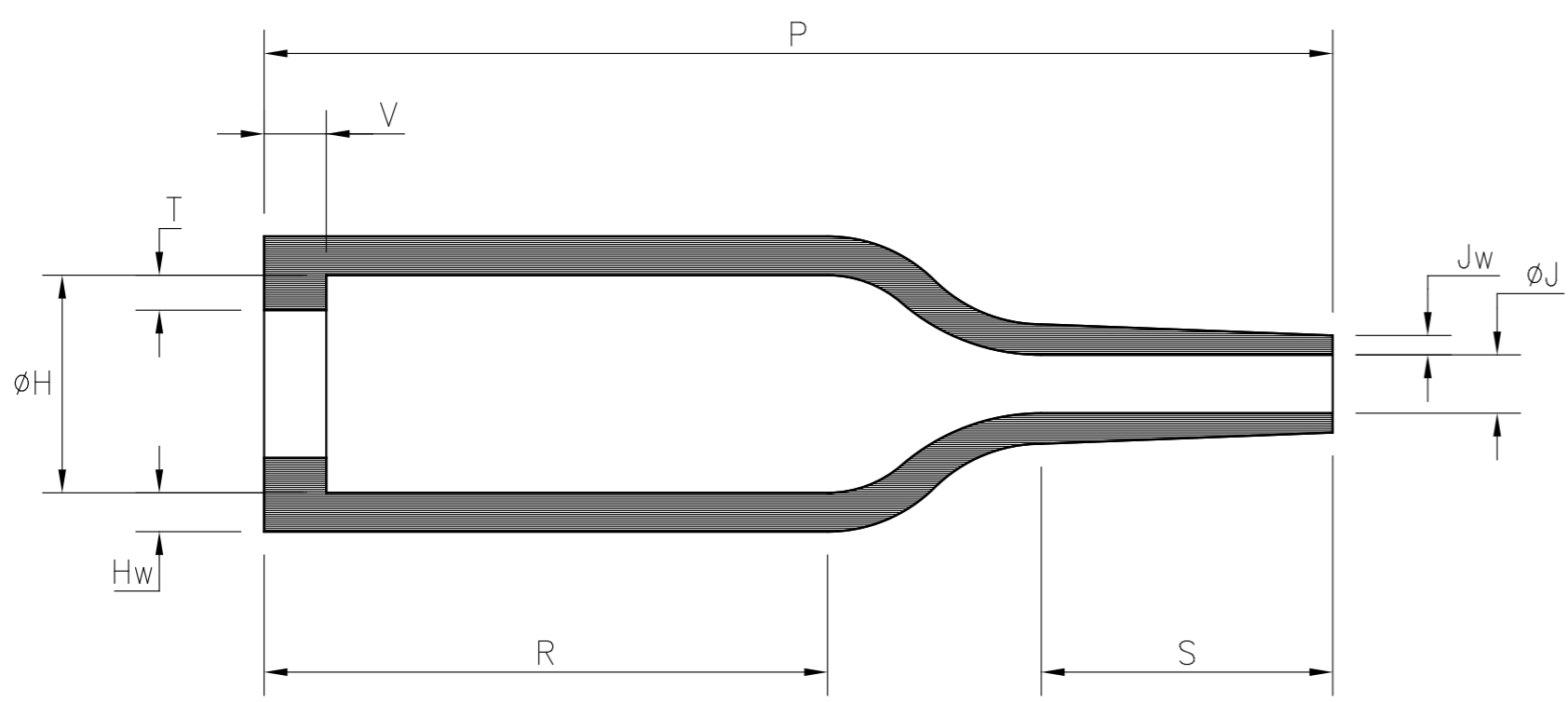
BS 8888

DO NOT SCALE
IF IN DOUBT ASK

Q.A.	H/S SETT
H/S Q.A.	REL. INSP.
H/S PROD	EXT.ISS.CODE

STANDARD PART (AFTER UNRESTRICTED RECOVERY)

EXPANDED (AS SUPPLIED)



PART No.	EXPANDED DIAMETERS (AS SUPPLIED)		RECOVERED DIAMETERS		RECOVERED DIMENSIONS						
	øh	øj	øH	øJ	P	R	S	T	V	Hw	Jw
	MIN	MIN	MAX	MAX	±10%	±10%	±10%	±20%	MAX	±20%	±30%
1009-1	12.0 (0.47)	8.0 (0.31)	5.6 (0.22)	3.2 (0.13)	27.0 (1.06)	14.0 (0.55)	7.5 (0.16)	0.9 (0.04)	1.5 (0.06)	1.0 (0.04)	0.5 (0.02)

HellermannTyton

William Prance Road,
Plymouth International Med. & Tech. Park,
Plymouth, PL6 5WR
Tel ++44 (0) 1752 701261
Fax ++44 (0) 1752 790058

NAME	G.BASER	SCALE	NTS	ADHESIVE	A3 ORIGINAL SHEET SIZE 420mm x 297mm	SHT. 1 OF 1 SHTS.
DATE	04/07/08	DIMS IN	mm.			
TITLE	BOTTLE SLEEVE			PART No.	1009	DRAWING No.
					152157	

2	P1350	L.F.	30/06/11
1	P1218	G.B.	04/07/08
ISSUE	NOTE No.	DRAWN	DATE