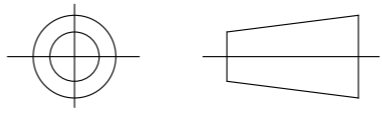


DRAWING No.
152187

SHT. 1
OF
1 SHTS.

© THE COPYRIGHT OF THIS DRAWING IS RESERVED BY HELLERMANN TYTON. IT IS ISSUED ON CONDITION THAT IT IS NOT COPIED, REPRODUCED OR DISCLOSED TO A THIRD PARTY EITHER WHOLLY OR IN PART WITHOUT THE CONSENT IN WRITING OF HELLERMANN TYTON.

THIRD ANGLE PROJECTION

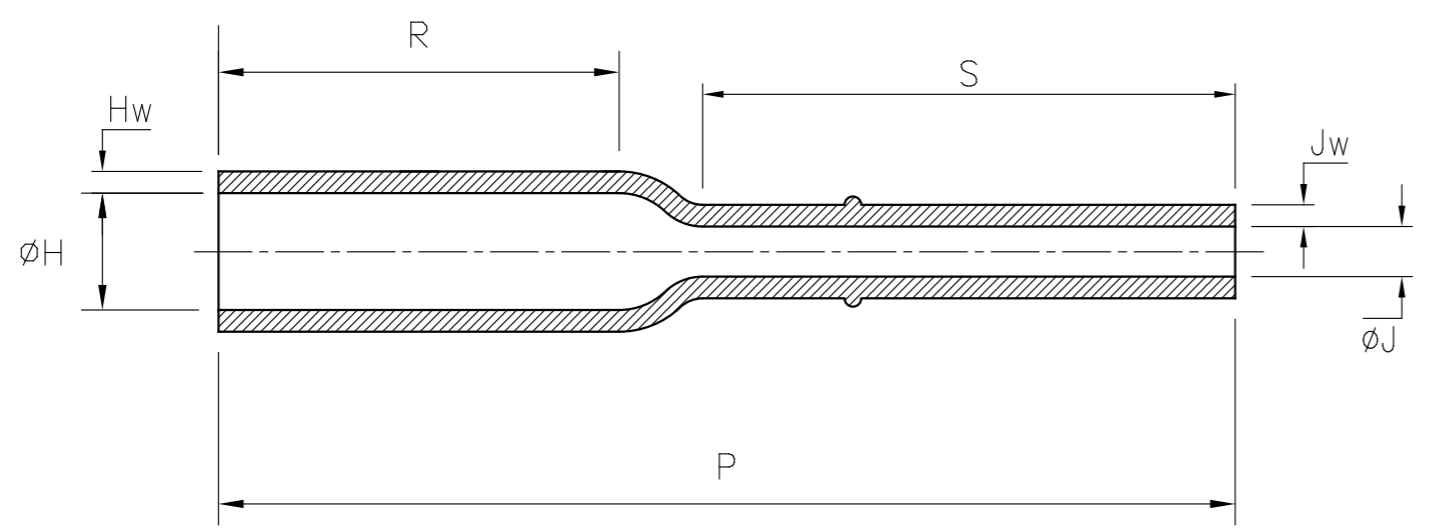


BS 8888

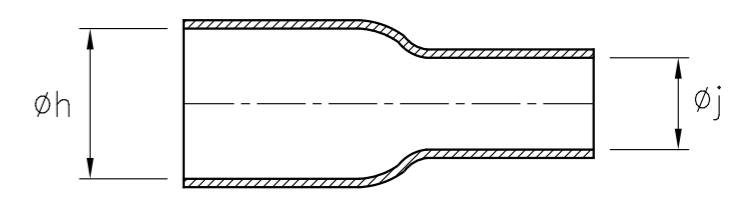
DO NOT SCALE
IF IN DOUBT ASK

Q.A.	H/S SETT
H/S Q.A.	REL. INSP.
H/S PROD	EXT. ISS. CODE

STANDARD PART (AFTER UNRESTRICTED RECOVERY)



EXPANDED (AS SUPPLIED)

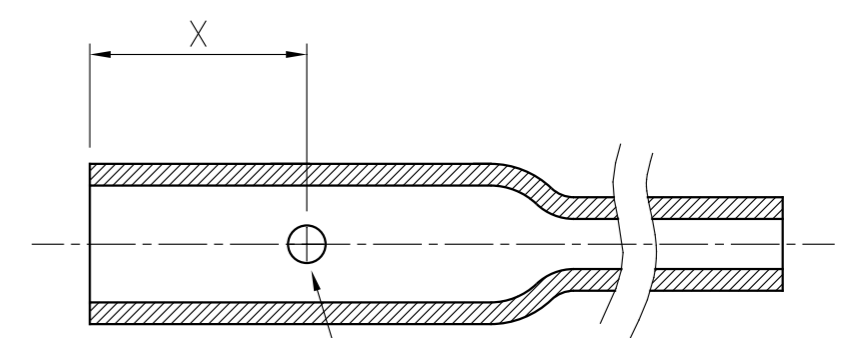


PART No.	EXPANDED DIAMETERS (AS SUPPLIED)		RECOVERED DIAMETERS		RECOVERED DIMENSIONS				
	øh	øj	øH	øJ	P	R	S	Hw	Jw
	MIN	MIN	MAX	MAX	±10%	NOM	NOM	±20%	±20%
120-1	16.5 (0.65)	10.2 (0.40)	7.0 (0.27)	3.0 (0.12)	60.9 (2.40)	24.0 (0.94)	32.0 (1.26)	1.30 (0.05)	1.30 (0.05)
120-2	20.3 (0.80)	10.2 (0.40)	7.0 (0.27)	3.0 (0.12)	60.9 (2.40)	24.0 (0.94)	32.0 (1.26)	1.30 (0.05)	1.30 (0.05)
120-3	16.5 (0.65)	10.7 (0.42)	7.0 (0.27)	3.0 (0.12)	38.0 (1.50)	24.0 (0.94)	9.10 (0.36)	1.30 (0.05)	1.30 (0.05)
120-10	20.3 (0.80)	10.2 (0.40)	7.0 (0.27)	3.0 (0.12)	49.6 (1.95)	12.7 (0.50)	32.0 (1.26)	1.30 (0.05)	1.30 (0.05)
120-12	20.3 (0.80)	10.2 (0.40)	7.0 (0.27)	3.0 (0.12)	44.5 (1.75)	7.6 (0.30)	32.0 (1.26)	1.30 (0.05)	1.30 (0.05)

OPTIONAL FILLER PORT DETAIL

PART No.	RECOVERED DIMENSIONS	
	X	Y
	±20%	±20%
120-1	12.0 (0.47)	-
120-2	12.0 (0.47)	-
120-3	12.0 (0.47)	-
120-10	-	-
120-12	-	-

OPTION TO STANDARD PART
FILLER PORT (CODE P)



1 FILLER PORT
ø4.5 NOM (.18)

ISSUE	NOTE No.	DRAWN	DATE
2	P1429	D.C.	14/10/13
1	P1260	G.B.	18/02/09

HellermannTyton

William Prance Road,
Plymouth International Med. & Tech. Park,
Plymouth, PL6 5WR
Tel ++44 (0) 1752 701261
Fax ++44 (0) 1752 790058

NAME	G.Baser	SCALE	NTS
DATE	18/02/09	DIMS IN	mm (in)
TITLE	BOTTLE SLEEVE (RIBLESS)		

ADHESIVE	A3	SHT. 1
	ORIGINAL SHEET SIZE 420mm x 297mm	OF 1 SHTS.
PART No.	120	DRAWING No.
		152187