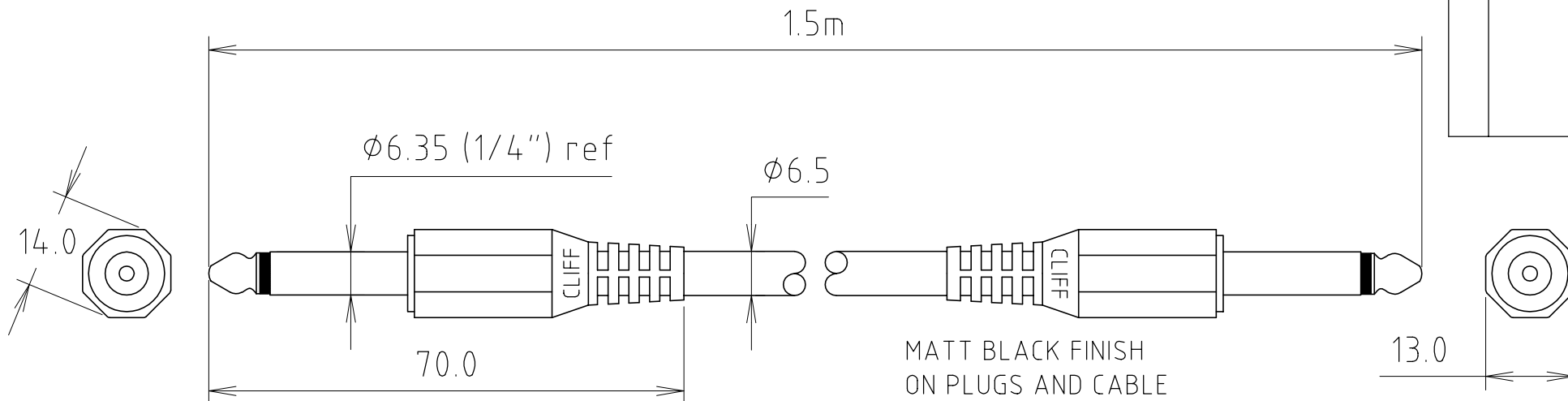
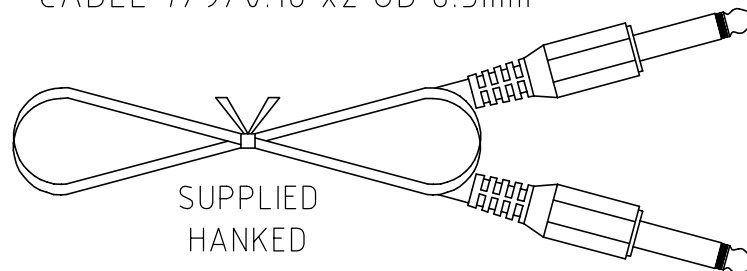


ISS.	AMEND	DATE
1	1st DRAWN	04/05/01
2	14.0 WAS 10.8	25/05/01
3	CABLE WAS Ø5.3	05/02/02
4	UPDATED	06/10/16



CABLE 7/9/0.16 x2 OD 6.5mm



RoHS
COMPLIANT

TOLERANCE
 NO DEC. PLACE ±
 1 DEC. PLACE ±
 2 DEC. PLACE ±
 HOLE Ø ±
 ANGLES ±
 UNLESS OTHERWISE STATED

Cliff Electronic Components Ltd.
 76 Holmethorpe Avenue, Holmethorpe Industrial Estate,
 Redhill, Surrey, RH1 2PF, England, UK
 Tel: 01737-771375 Fax: 01737-766012 Website: www.cliffuk.co.uk

DIMENSIONS IN MILLIMETERS UNLESS OTHERWISE STATED. WORK TO DIMENSIONS. REMOVE ALL BURRS. IF IN DOUBT ASK.

3rd ANGLE PROJECTION:

DO NOT SCALE

MATERIAL: PVC / BRASS / COPPER

TITLE: SPEAKER LEAD 1.5m

FINISH: AS MOULDED / EXTRUDED / Ni PLATED

THE CONTENTS OF THIS DOCUMENT MUST NOT BE COPIED OR DISCLOSED TO A 3rd PARTY WITHOUT WRITTEN PERMISSION OF CLIFF UK. © 2001

DRAWN: C.A.M.J.

APPROVED: R.W.T.

DRWG. No. **FD72082**

FORM: A4DRWGH