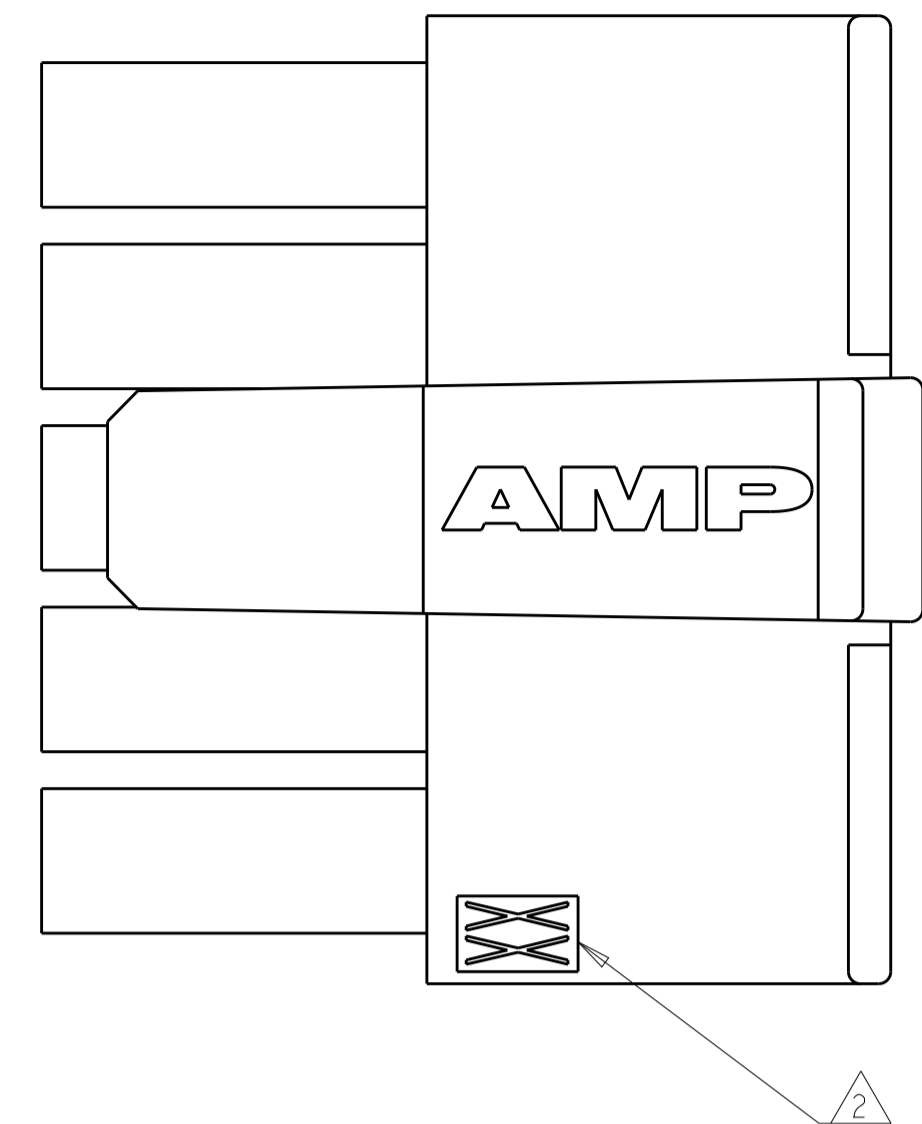
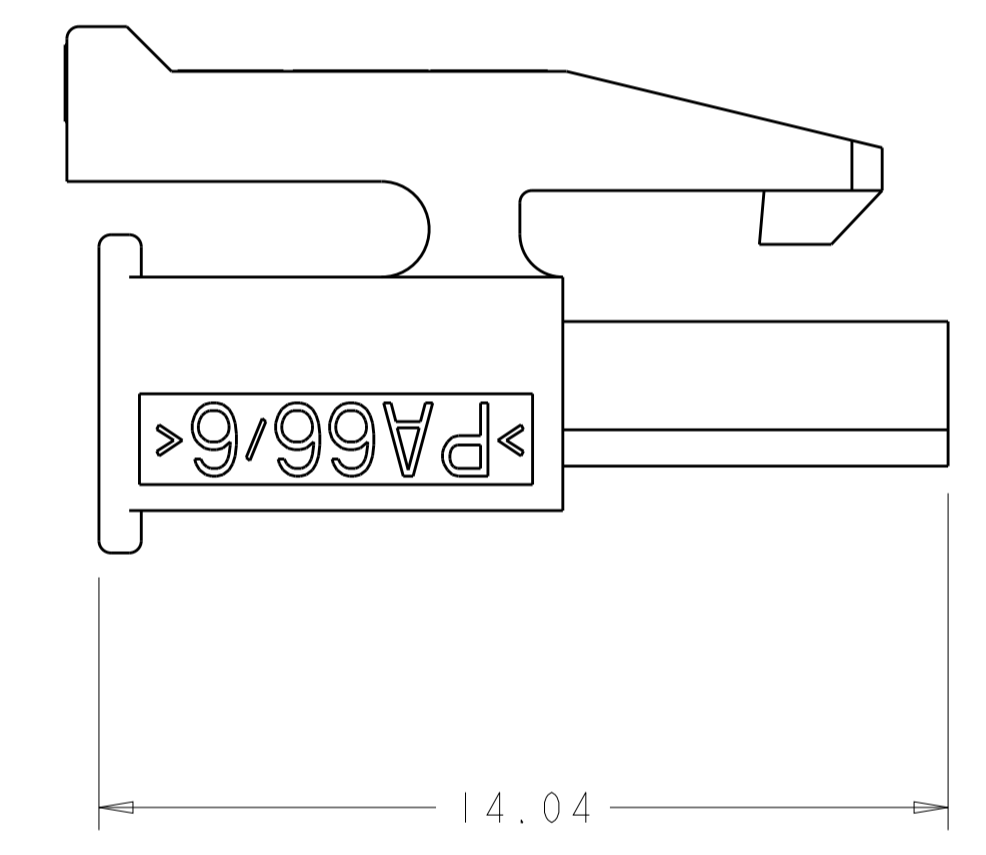
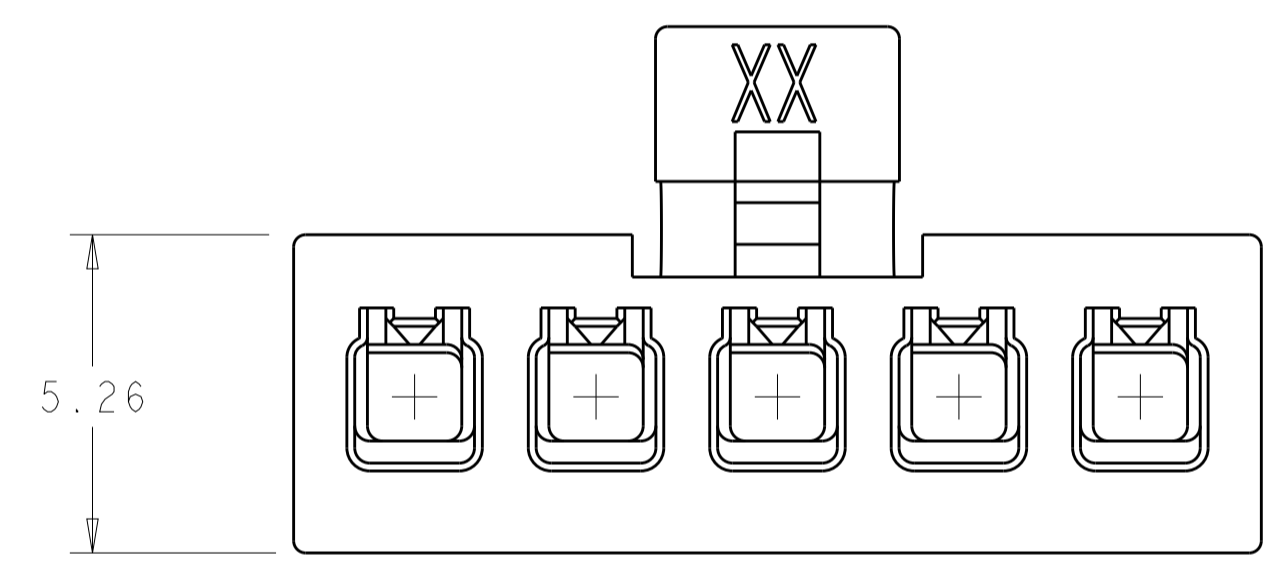
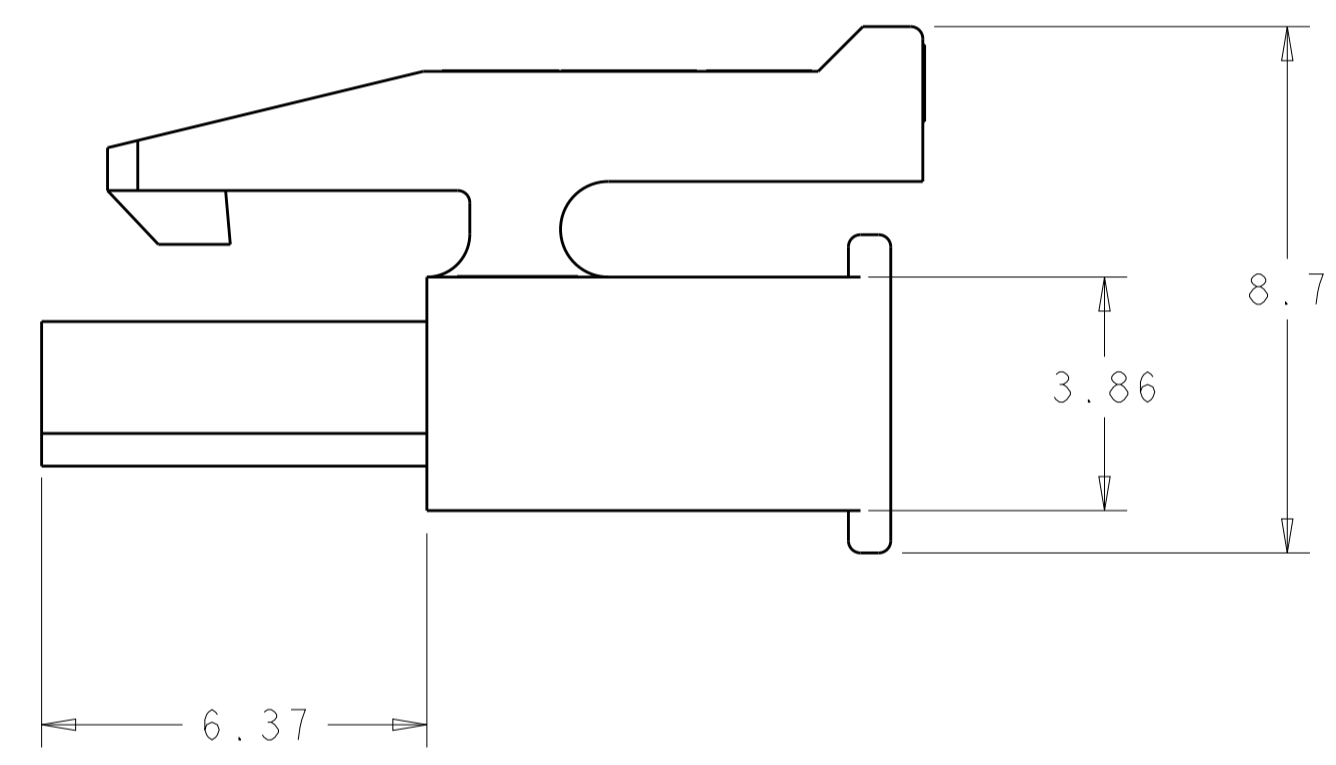
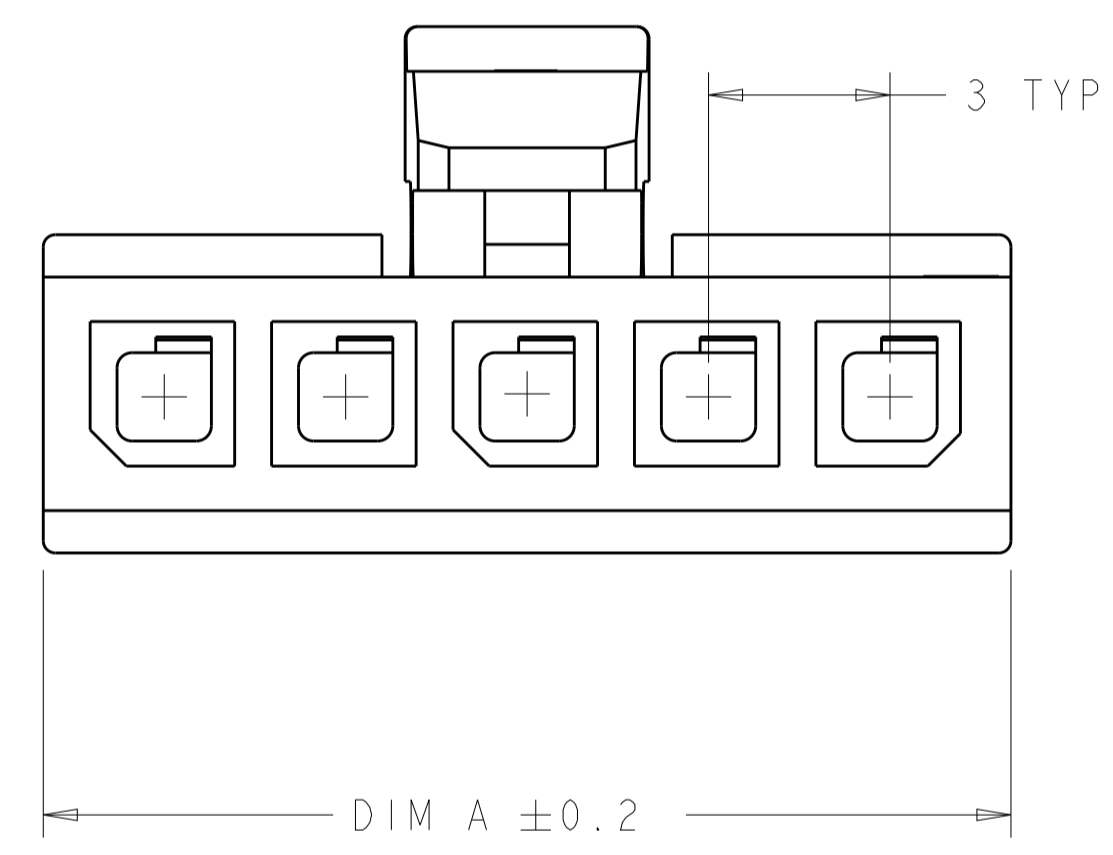


LOC		DIST		REVISIONS			
CM	00	P	LTN	DESCRIPTION	DATE	DWN	APVD
		C4		REVISED PER ECR-16-013672	14OCT2016	BW	SC



- ① CIRCUIT 1 IDENTIFIER, LOCATED APPROXIMATELY AS SHOWN.
- ② LAST CIRCUIT IDENTIFIER, LOCATED APPROXIMATELY AS SHOWN.
- ③ MATERIAL NYLON66/6 V0 UL94
- ④ MATERIAL PA66 V0 GW UL94.



REMARK	VOLUME mm ³	DIM A	NO OF POS.	PART NO.
④	444.06	13	4	2-1445022-4
	363.34	10	3	2-1445022-3
	282.61	7	2	2-1445022-2
③	1091.66	37	12	1-1445022-2
	1011.3	34	11	1-1445022-1
	929.64	31	10	1-1445022-0
	847.19	28	9	1445022-9
	768.32	25	8	1445022-8
	686.23	22	7	1445022-7
	605.73	19	6	1445022-6
	525.93	16	5	1445022-5
	444.06	13	4	1445022-4
	363.34	10	3	1445022-3
282.61	7	2	1445022-2	

THIS DRAWING IS A CONTROLLED DOCUMENT.

DIMENSIONS: mm

TOLERANCES UNLESS OTHERWISE SPECIFIED:

0 PLC	±
1 PLC	±0.13
2 PLC	±
3 PLC	±
4 PLC	±
ANGLES	±1°

MATERIAL: NYLON, UL94V-0 BLACK

FINISH: -

APPROVED: C. JONES 14AUG2001

PRODUCT SPEC: 108-1836

APPLICATION SPEC: 114-13000

WEIGHT: -

CUSTOMER DRAWING

STE TE Connectivity

NAME: RECEPTACLE HOUSING, 2 TO 12 POSITION, SINGLE ROW, MICRO MATE-L-LOK(TM)

SIZE: A100779

CAGE CODE: 1445022

RESTRICTED TO: -

SCALE: 8:1 SHEET 1 OF 1 REV: C4