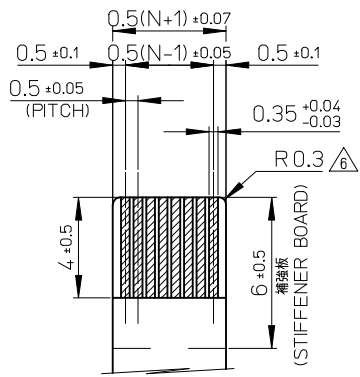


|      |      |       |      |                                      |            |
|------|------|-------|------|--------------------------------------|------------|
| 21.6 | 19.6 | 15.65 | 14.5 | 52437-3071                           | 30         |
| 21.1 | 19.1 | 15.15 | 14.0 | 52437-2971                           | 29         |
| 20.6 | 18.6 | 14.65 | 13.5 | 52437-2871                           | 28         |
| 20.1 | 18.1 | 14.15 | 13.0 | 52437-2771                           | 27         |
| 19.6 | 17.6 | 13.65 | 12.5 | 52437-2671                           | 26         |
| 19.1 | 17.1 | 13.15 | 12.0 | 52437-2571                           | 25         |
| 18.6 | 16.6 | 12.65 | 11.5 | 52437-2471                           | 24         |
| 18.1 | 16.1 | 12.15 | 11.0 | 52437-2371                           | 23         |
| 17.6 | 15.6 | 11.65 | 10.5 | 52437-2271                           | 22         |
| 17.1 | 15.1 | 11.15 | 10.0 | 52437-2171                           | 21         |
| D    | C    | B     | (A)  | EMBOSSED PACKAGE<br>ORDER No. オーダー番号 | 極数<br>CKT. |

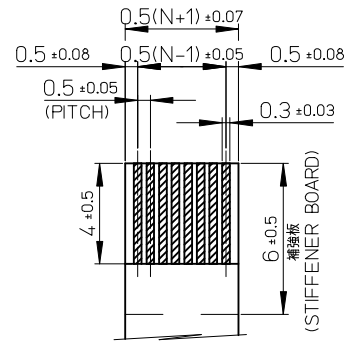
CONNECTOR SERIES NO. : 52437-\*\*29

|  |  |              |                            |  |  |  |                        |  |                           |  |
|--|--|--------------|----------------------------|--|--|--|------------------------|--|---------------------------|--|
| REVISED<br>EC NO: J2014-0114<br>2013/07/22<br>DRWN: INOUE01<br>2013/07/29<br>CHKD: HIJIMA<br>2013/07/29<br>APPR: YNOGAWA<br>2013/07/29 | GENERAL TOLERANCES<br>(UNLESS SPECIFIED) |              | DIMENSION STYLE<br>MM ONLY |  | SCALE<br>10:1  |  | DESIGN UNITS<br>METRIC |  | THIRD ANGLE<br>PROJECTION |  |
|  | 10 UNDER                                 | ±0.2         | DRAWN BY                   | DATE   | TITLE  |  |                        |  |                           |  |
|  | 10 OVER 30 UNDER                         | ±0.25        | M.UMEDA                    | 2004/12/08   | 0.5 FPC CONN.ZIF FOR<br>SMT R/A (BOTTOM CONTACT)<br>GOLD PLATING |  |                        |  |                           |  |
|  | 30 OVER                                  | ±0.3         | CHECKED BY                 | DATE   | <b>molex</b><br>DOCUMENT NO. SD-52437-019<br>SHEET NO. 1 OF 2    |  |                        |  |                           |  |
| ANGULAR ±3 °<br>DRAFT WHERE APPLICABLE<br>MUST REMAIN<br>WITHIN DIMENSIONS   |  | APPROVED BY  | DATE                       | THIS DRAWING CONTAINS INFORMATION THAT IS PROPRIETARY TO MOLEX<br>INCORPORATED AND SHOULD NOT BE USED WITHOUT WRITTEN PERMISSION |  |  |                        |  |                           |  |
|  |  | MATERIAL NO. | SEE CHART                  |  |  |  |                        |  |                           |  |
|  |  | SIZE         | A3                         |  |  |  |                        |  |                           |  |

F



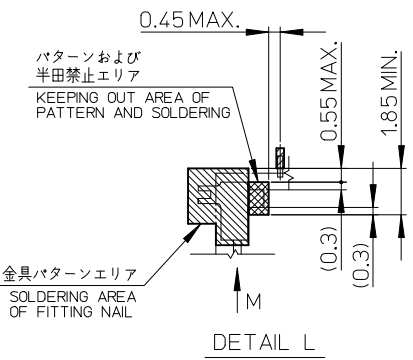
適合金めっきFPC推奨寸法  
 APPLICABLE FPC OF GOLD  
 PLATING RECOMMENDED DIMENSION  
 仕上がり厚さ: 0.3±0.05  
 THICKNESS: 0.3+0.05/-0.05



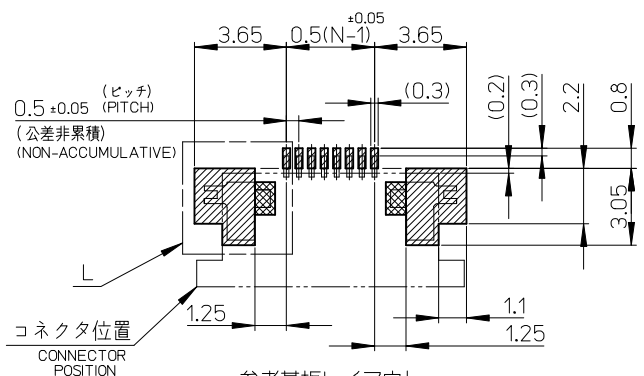
適合金めっきFFC推奨寸法  
 APPLICABLE FFC OF GOLD  
 PLATING RECOMMENDED DIMENSION  
 仕上がり厚さ: 0.3±0.05  
 THICKNESS: 0.3+0.05/-0.05

E

D

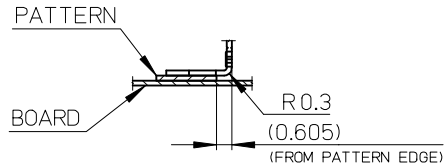


DETAIL L



参考基板レイアウト  
 (マウント面)  
 RECOMMENDED P.C.BOARD  
 PATTERN DIMENSION (REF.)  
 (MOUNTING SIDE)

B



VIEW M  
 (DETAIL OF FITTING NAIL  
 ON PATTERN)

A

注記NOTES

1. 使用材料

MATERIAL  
 ハウジング: 46ナイロン、ガラス充填、UL94V-0、白  
 HOUSING: PA46, GLASS FILLED, UL94V-0, WHITE  
 アクチュエータ: ポリフェニレンサルフィド (PPS)、ガラス充填、UL94V-0、茶色  
 ACTUATOR: POLYPHENYLENE SULFIDE, GLASS FILLED, UL94V-0, BROWN  
 ターミナル: リン青銅、ニッケル下地金めっき (t=0.2)  
 TERMINAL: PHOSPHOR BRONZE, GOLD OVER NICKEL PLATING  
 金具: リン青銅、ニッケル下地金めっき (t=0.2)  
 FITTING NAIL: PHOSPHOR BRONZE, TIN OVER NICKEL PLATING

2. エンボステープ梱包時は、アクチュエータがロックした状態になります。

IN THE PACKAGE, ACTUATOR OF PART NO.52437-\*\*-\*\*29 SHOULD BE LOCKED.

△ ソルダータール半田付け面のズレ量、及び金具半田付け面のズレ量は、基準面Hに対して上方向に0.1MAXIMUM、下方向0.15MAXIMUMとする。  
 MISALIGNMENT OF SOLDER TAILS AND FITTING NAILS FROM DATUM-H.

UPPER DIRECTION: 0.1 MAXIMUM  
 LOWER DIRECTION: 0.15 MAXIMUM

△ 偶数極に適用  
 APPLY FOR EVEN CIRCUIT.

△ ハターン剥離止め金具  
 FITTING NAIL FOR PREVENTION OF PEELING OF P.W.B. PATTERN.

△ R0.3は、FPCの導体部にかからないこと  
 R0.3 MUST NOT BE OVERLAPED TO PATTERN OF FPC.

7. ソルダータールの平坦度は、0.1MAXIMUMとする。  
 SOLDER TAIL COPLANARITY IS 0.1 MAXIMUM.

8. ELV 及び RoHS 適合品  
 ELV AND RoHS COMPLIANT

FPCについて:

打抜き方向は導体側から補強板側を推奨致します。  
 補強フィルム材質はポリイミドを推奨致します。  
 接着剤は熱硬化接着剤を推奨致します。

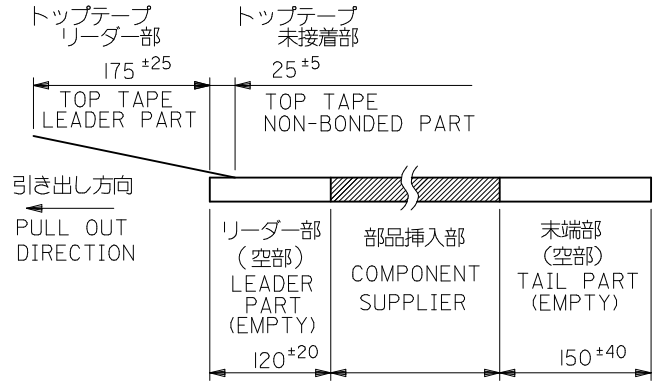
ABOUT FPC:

RECOMMENDED PUNCHER DIRECTION :  
 FROM CONDUCTOR SIDE TO STIFFENER BOARD SIDE.  
 RECOMMENDED MATERIAL:  
 STIFFENER FILM : POLYIMIDE  
 BONDING AGENT : THERMOSETTING BONDING AGENT

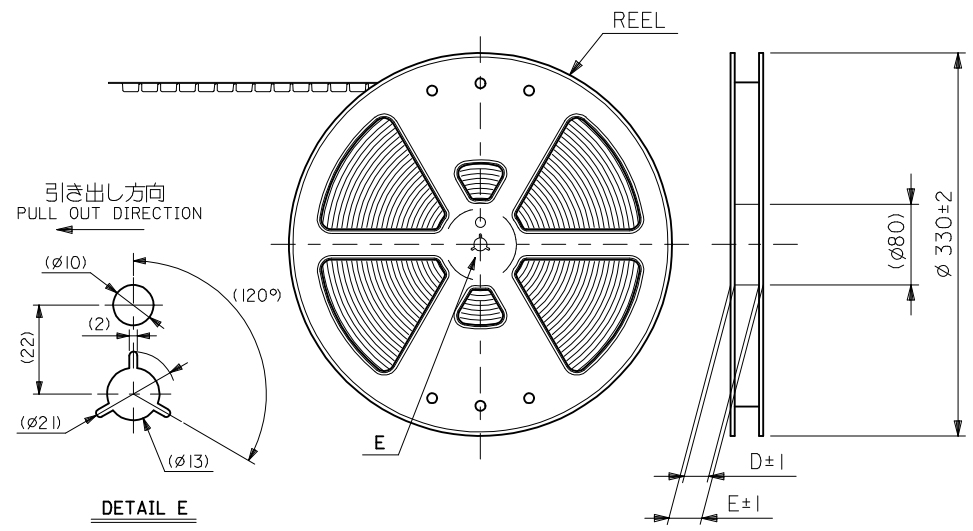
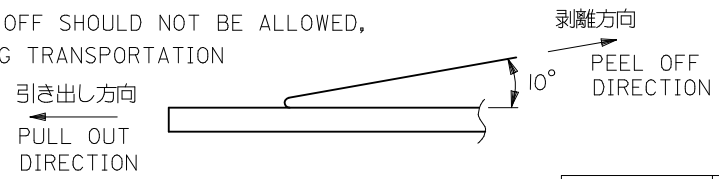
|   |             |  |       |                                |                              |  |                        |   |  |
|---|-------------|--|-------|--------------------------------|------------------------------|--|------------------------|---|--|
| REVISED<br>EC NO: J2014-0114<br>2013/07/22<br>DRWNN: INOUE01<br>2013/07/29<br>CHKD: HIJIMA<br>APPR: YNOGAWA<br>2013/07/29 | DESCRIPTION | GENERAL TOLERANCES (UNLESS SPECIFIED)                |       | DIMENSION STYLE<br>MM ONLY     |                              | SCALE<br>5:1   | DESIGN UNITS<br>METRIC | THIRD ANGLE PROJECTION  |  |
|   |             | 10 UNDER   | ± --- | DRAWN BY<br>M.UMEDA            | DATE<br>2004/12/08           | TITLE<br>0.5 FPC CONN. ZIF FOR SMT R/A (BOTTOM CONTACT) GOLD PLATING |                        |   |  |
|   |             | 10 OVER 30 UNDER                                     | ± --- | CHECKED BY<br>K.TOYOTA         | DATE<br>2004/12/08           |  |                        |   |  |
|   |             | 30 OVER  | ± --- | APPROVED BY<br>N.UKITA         | DATE<br>2004/12/08           |  |                        |   |  |
| ANGULAR   | ± --- °     | DRAFT WHERE APPLICABLE MUST REMAIN WITHIN DIMENSIONS |       | MATERIAL NO.<br>SEE SHEET 10F2 | DOCUMENT NO.<br>SD-52437-019 | SHEET NO.<br>2 OF 2  |                        | THIS DRAWING CONTAINS INFORMATION THAT IS PROPRIETARY TO MOLEX INCORPORATED AND SHOULD NOT BE USED WITHOUT WRITTEN PERMISSION |  |

注記 NOTES

- 製品番号52437-\*\*29の梱包状態はアクチュエータがロックした状態とする。  
製品の詳細寸法については図面SD-52437-019を参照下さい。  
IN THE PACKAGE, ACTUATOR OF PART NO. 52437-\*\*29 SHOULD BE LOCKED RE DETAILED DIMENSIONS, SEE SD-52437-019.
- 梱包数量：1000個/リール  
NUMBER OF CONNECTORS:1000PCS/REEL
- リードテープ長さ LEAD TAPE LENGTH

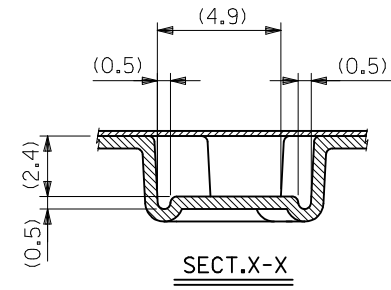
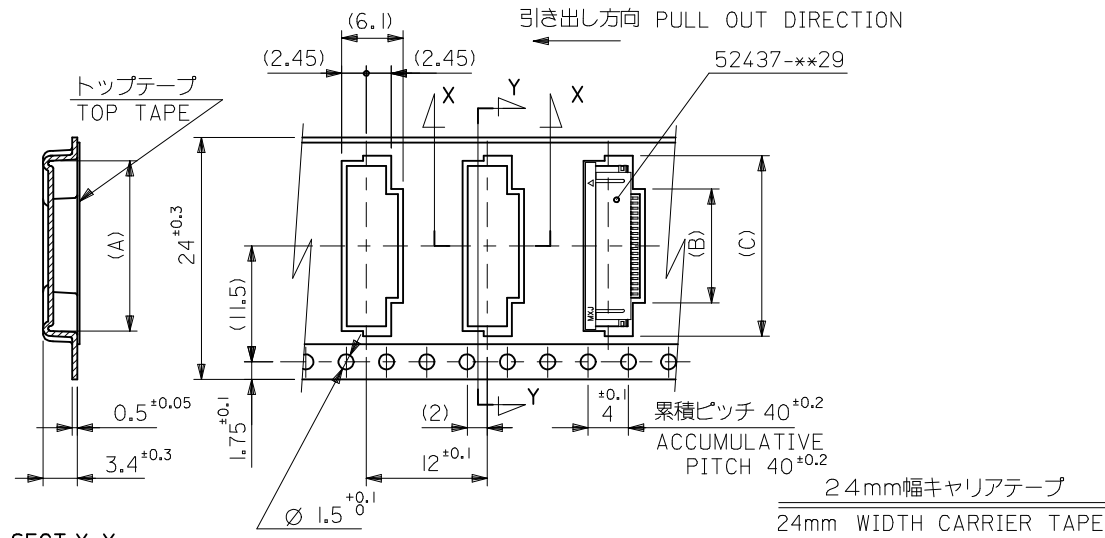


- トップテープの剥離強度：(剥離方向は下図参照)  
0.1N ~ 1.3N {10gf ~ 130gf} 尚、本規格値は、出荷時に適用。  
(但し、輸送時に剥離が発生しない事。)  
PEELING OFF FORCE OF TOP TAPE  
0.1N ~ 1.3N {10gf ~ 130gf} (PEELING DIRECTION AS SHOWN IN FOLLOWING FIG.)  
THIS REQUIREMENT SHOULD BE APPLIED AT SHIPMENT  
PEEL OFF SHOULD NOT BE ALLOWED,  
DURING TRANSPORTATION

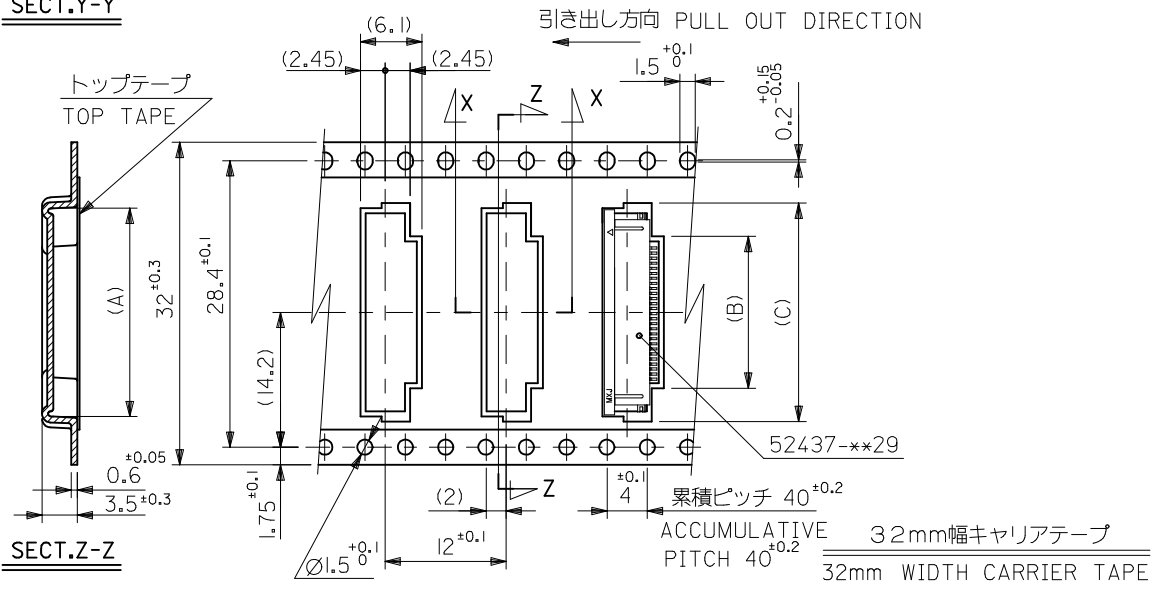


- 材料 (MATERIAL)  
キャリアテープ (CARRIER TAPE) : ポリプロピレン (POLYPROPYLENE)  
トップテープ (TOP TAPE) : PET, PE, PEF  
リール (REEL) : ポリスチレン (PS) <リサイクル材を含む>  
POLYSTYREN (PS) <RECYCLE MATERIAL CONTAINED>
- 本製品は 52437-\*\*91 の鉛フリー品である。  
THIS PRODUCT IS LEAD FREE OF 52437-\*\*91.

|  |                    |  |        |                            |  |   |                        |           |            |
|--|--------------------|--|--------|----------------------------|--|---|------------------------|-----------|------------|
| REVISED<br>EC NO: J2014-0114<br>2013/07/22<br>DRWN: INOUE01<br>2013/07/29<br>CHKD: HIJIMA<br>2013/07/29<br>APPR: YNOGAWA<br>2013/07/29 | DESCRIPTION<br>REV | GENERAL TOLERANCES (UNLESS SPECIFIED)                      |        | DIMENSION STYLE<br>MM ONLY |  | SCALE<br>---  | DESIGN UNITS<br>METRIC | MODEL NO. | 52437-**71 |
|  |                    | 10 UNDER   | ± 0.2  | DRAWN BY                   | DATE   | TITLE   |                        |           |            |
|  |                    | 10 OVER 30 UNDER   | ± 0.25 | M. UMEDA                   | 2004-12/08   | 0.5 FPC CONN. ZIF SMT RA<br>WITH TAPE EMBSTP PKG<br>-LEAD FREE- |                        |           |            |
|  |                    | 30 OVER  | ± 0.3  | CHECKED BY                 | DATE   | molex   |                        |           |            |
|  |                    | ANGULAR  | ± 3 °  | APPROVED BY                | DATE   | DOCUMENT NO.  |                        |           | SHEET NO.  |
|  |                    | DRAFT WHERE APPLICABLE<br>MUST REMAIN<br>WITHIN DIMENSIONS |        | N. UKITA                   | 2004-12/08   | SD-52437-020  |                        |           | 1 OF 3     |
|  |                    |  |        | MATERIAL NO.               | SEE CHART  |   |                        |           |            |
|  |                    |  |        | SIZE                       | THIS DRAWING CONTAINS INFORMATION THAT IS PROPRIETARY TO MOLEX<br>INCORPORATED AND SHOULD NOT BE USED WITHOUT WRITTEN PERMISSION |   |                        |           |            |
|  |                    |  |        | A3                         |  |   |                        |           |            |



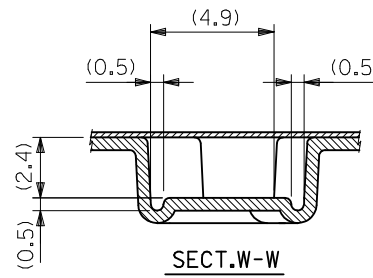
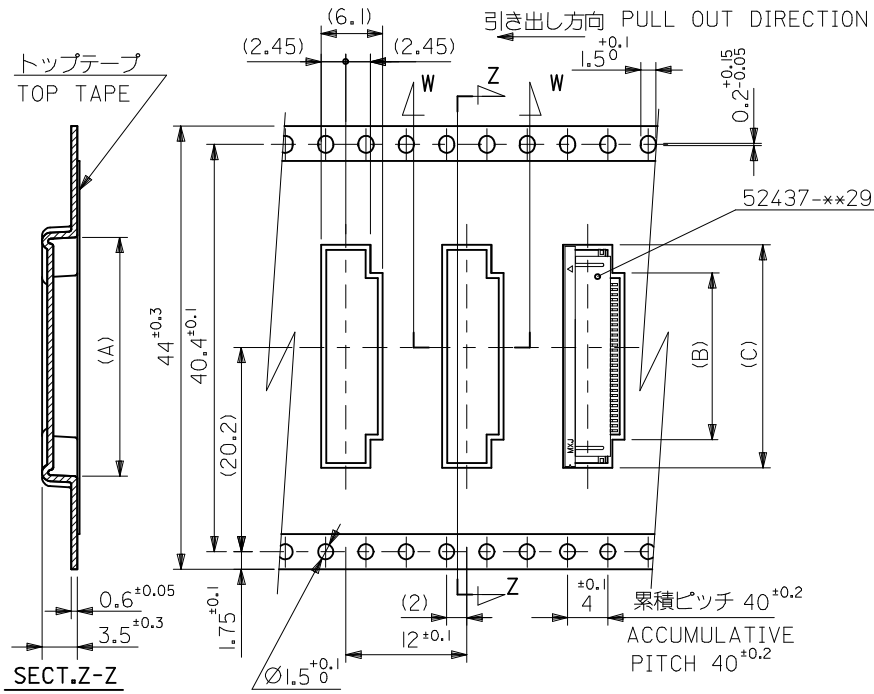
SECT.Y-Y



SECT.Z-Z

|                                |      |      |      |      |      |              |               |
|--------------------------------|------|------|------|------|------|--------------|---------------|
| 32                             | 37.4 | 33.4 | 22.4 | 15.8 | 21.4 | 52437-2971   | 29            |
|                                |      |      | 21.9 | 15.3 | 20.9 | 52437-2871   | 28            |
|                                |      |      | 21.4 | 14.8 | 20.4 | 52437-2771   | 27            |
|                                |      |      | 20.9 | 14.3 | 19.9 | 52437-2671   | 26            |
|                                |      |      | 20.4 | 13.8 | 19.4 | 52437-2571   | 25            |
|                                |      |      | 19.9 | 13.3 | 18.9 | 52437-2471   | 24            |
|                                |      |      | 19.4 | 12.8 | 18.4 | 52437-2371   | 23            |
| 24                             | 29.4 | 25.4 | 18.4 | 11.8 | 17.4 | 52437-2171   | 21            |
|                                |      |      | 18.9 | 12.3 | 17.9 | 52437-2271   | 22            |
| キャリアテープ幅<br>CARRIER TAPE WIDTH | E    | D    | (C)  | (B)  | (A)  | MATERIAL NO. | 極致<br>CIRCUIT |
|                                |      |      |      |      |      | MODEL NO.    | 52437-**-71   |

|  |                                       |                    |                    |   |              |   |
|--|---------------------------------------|--------------------|--------------------|---|--------------|---|
| REVISED<br>EC NO: J2014-0114<br>2013/07/22<br>DRWN: INOUE01<br>2013/07/29<br>CHKD: HIJIMA<br>2013/07/29<br>APPR: YNOGAWA<br>2013/07/29 | GENERAL TOLERANCES (UNLESS SPECIFIED) |                    | DIMENSION STYLE    | SCALE   | DESIGN UNITS | TITLE<br>0.5 FPC CONN. ZIF SMT RA<br>WITH TAPE EMBSTP PKG<br>-LEAD FREE-<br><b>molex</b><br>DOCUMENT NO.<br>SD-52437-020<br>SHEET NO.<br>2 OF 3 |
|  | 10 UNDER ±0.2                         |                    | MM ONLY            | ---   | METRIC       |   |
|  | 10 OVER 30 UNDER ±0.25                |                    | DRAWN BY DATE      | THIRD ANGLE PROJECTION  |              |   |
|  | 30 OVER ±0.3                          |                    | M.UMEDA 2004/12/08 | SEE CHART   |              |   |
|  | ANGULAR ±3 °                          |                    | CHECKED BY DATE    | THIS DRAWING CONTAINS INFORMATION THAT IS PROPRIETARY TO MOLEX INCORPORATED AND SHOULD NOT BE USED WITHOUT WRITTEN PERMISSION |              |   |
| DRAFT WHERE APPLICABLE MUST REMAIN WITHIN DIMENSIONS   |                                       | APPROVED BY DATE   |                    |   |              |   |
|  |                                       | N.UKITA 2004/12/08 |                    |   |              |   |
|  |                                       | MATERIAL NO.       |                    |   |              |   |



44mm幅キャリアテープ  
44mm WIDTH CARRIER TAPE

|                                |      |      |      |      |      |              |               |
|--------------------------------|------|------|------|------|------|--------------|---------------|
| 44                             | 49.4 | 45.4 | 22.9 | 16.3 | 21.9 | 52437-3071   | 30            |
| キャリアテープ幅<br>CARRIER TAPE WIDTH | E    | D    | (C)  | (B)  | (A)  | MATERIAL NO. | 極数<br>CIRCUIT |
|                                |      |      |      |      |      | MODEL NO.    | 25437-**-71   |

|   |                                       |  |                            |                        |  |                        |                        |
|---|---------------------------------------|--|----------------------------|------------------------|--|------------------------|------------------------|
| REVISED<br>EC NO: J2014-0114<br>DRWN: INOUE01 2013/07/29<br>CHKD: HIJIMA 2013/07/29<br>APPR: YNOGAWA 2013/07/29 | GENERAL TOLERANCES (UNLESS SPECIFIED) |  | DIMENSION STYLE<br>MM ONLY |                        | SCALE<br>---   | DESIGN UNITS<br>METRIC | THIRD ANGLE PROJECTION |
|   | 10 UNDER                              | ±0.2   | DRAWN BY<br>M.UMEDA        | DATE<br>2004/12/08     | TITLE<br>0.5 FPC CONN. ZIF SMT RA WITH TAPE EMBSTP PKG -LEAD FREE- |                        |                        |
|   | 10 OVER 30 UNDER                      | ±0.25  | CHECKED BY<br>K.TOYODA     | DATE<br>2004/12/08     | <b>molex</b><br>DOCUMENT NO. SD-52437-020<br>SHEET NO. 3 OF 3      |                        |                        |
|   | 30 OVER                               | ±0.3   | APPROVED BY<br>N.UKITA     | DATE<br>2004/12/08     |  |                        |                        |
|   | ANGULAR ±3 °                          | DRAFT WHERE APPLICABLE MUST REMAIN WITHIN DIMENSIONS |                            | MATERIAL NO. SEE CHART |  |                        |                        |