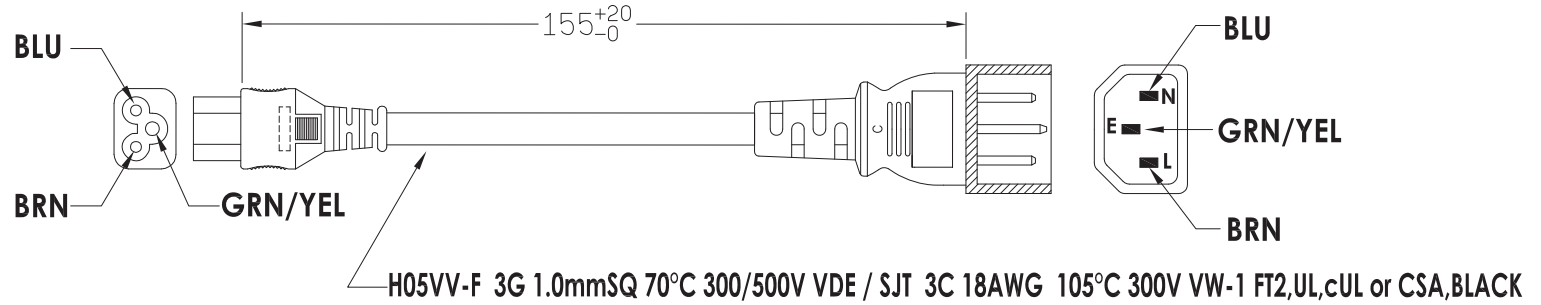


複本
編號

生管部
 2 資材部
 3 採購部
 4 品管部
 產工部
 SMT
 製造部
 變壓器
 9 中鼎

2005.11.28 PM

REV	MOD	DESCRIPTION	BY	DATE



	MFG	DESCRIPTION	MFG P/N	CERTIFICATION	FILE
Plug	YUNG LI	IEC320 C5	YC-14	UL,cUL CSA VDE	E152635 076398 40029893
Card	YUNG LI	SJT 18AWGx3C H05VV-F 1.0mmSQx3G	----	UL,cUL CSA VDE	E241374 177323 40010145
Connector	YUNG LI	IEC320 C14	YP-32	UL,cUL CSA VDE	E152635 076398 or 076393 40029462

NOTE1: TOLERANCE OF LENGHT IS $+5MM$ -0 @ $L \leq 300MM$, $+10MM$ -0 @ $300MM < L \leq 600MM$.
 NOTE2: TOLERANCE OF STRIPPING IS $\pm 1MM$ @ $L < 15MM$, $\pm 2MM$ @ $15MM \leq L$.



RoHS

"ALL MATERIAL AND PAINT TO BE ROHS COMPLIANT"

NO.	LEFT TERMINAL	WIRE LEAD				RIGHT TERMINAL				
		AWG	COLOR	STYLE	LENGTH		SIZE:	SCALE:	UNIT:	SHEET:
1	IEC320 C5(CONNECTOR)	1.0mm ² /18AWG	BRN	H05VV-F/SJT	155mm	IEC320 C14(PLUG) BLACK,10A/250V VDE,UL,cUL or CSA APPROVED	SIZE:	SCALE:	UNIT:	SHEET:
2	BLACK,2.5A/250V	1.0mm ² /18AWG	BLU	H05VV-F/SJT	155mm		A4	N/A	MM	1/1
3	VDE,UL,cUL or CSA APPROVED	1.0mm ² /18AWG	GRN/YEL	H05VV-F/SJT	155mm					
							DRAWN:	CHECKED:	RELEASED:	
							EVA			
							2010/10/20			
							PART NO:	REV:	MOD:	
							P014-06N	A	0	