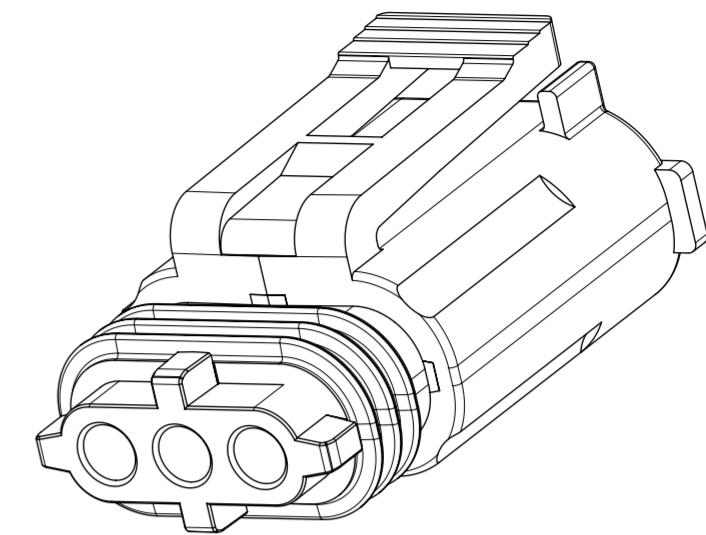
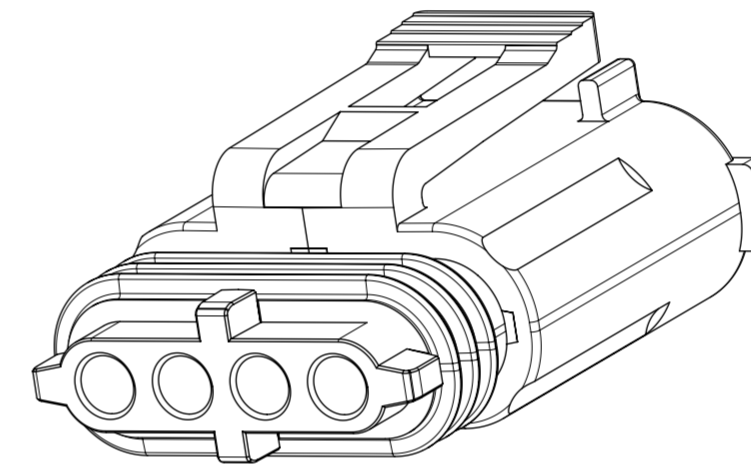
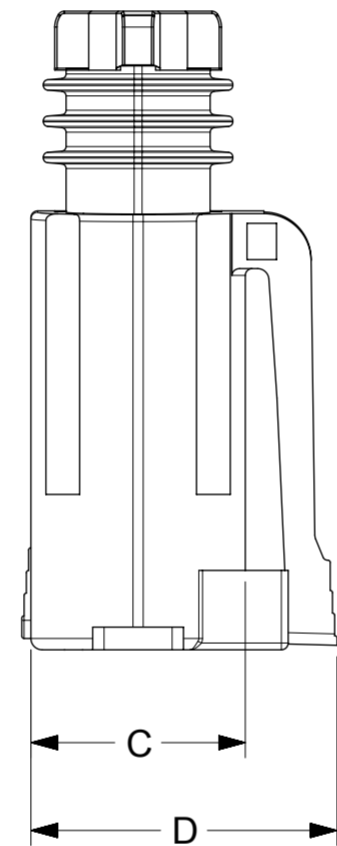
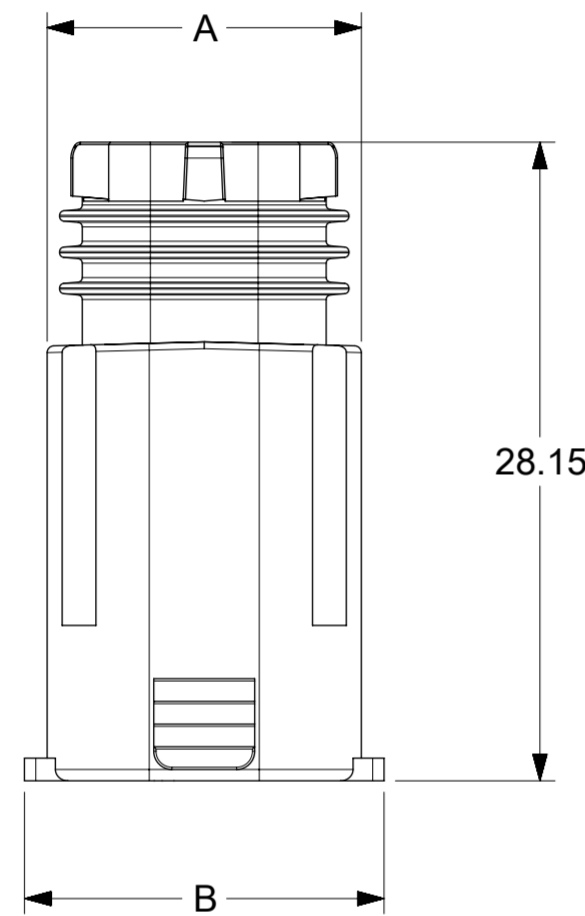


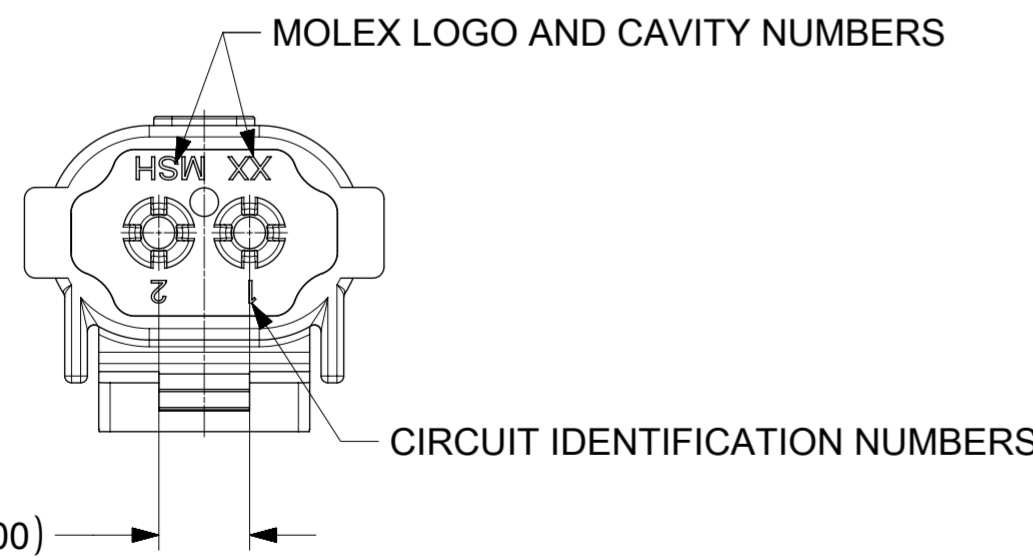
ISOMETRIC VIEW
CIRCUIT 1X2



ISOMETRIC VIEW
CIRCUIT 1X3



ISOMETRIC VIEW
CIRCUIT 1X4



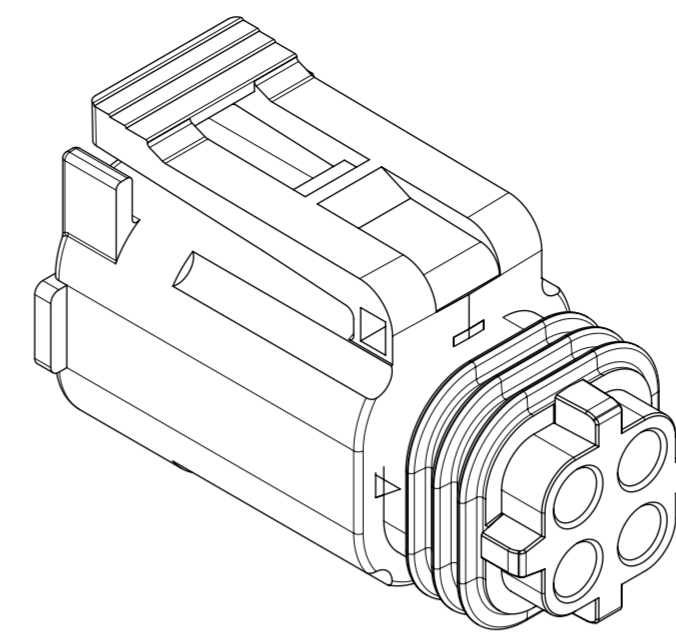
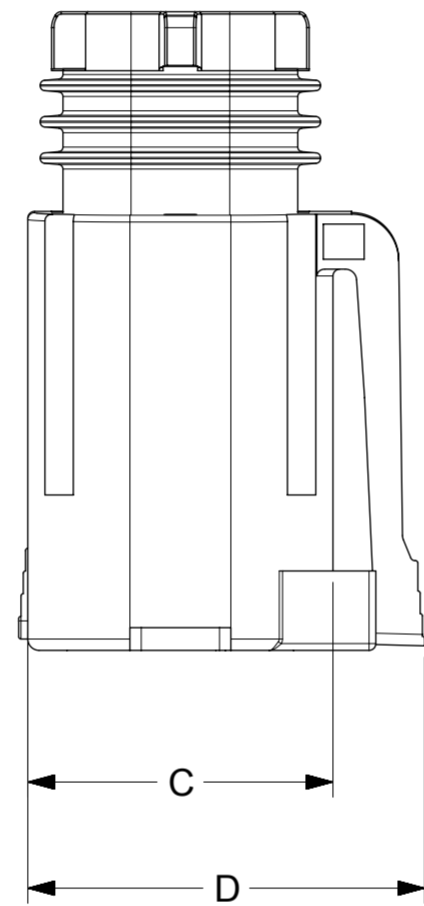
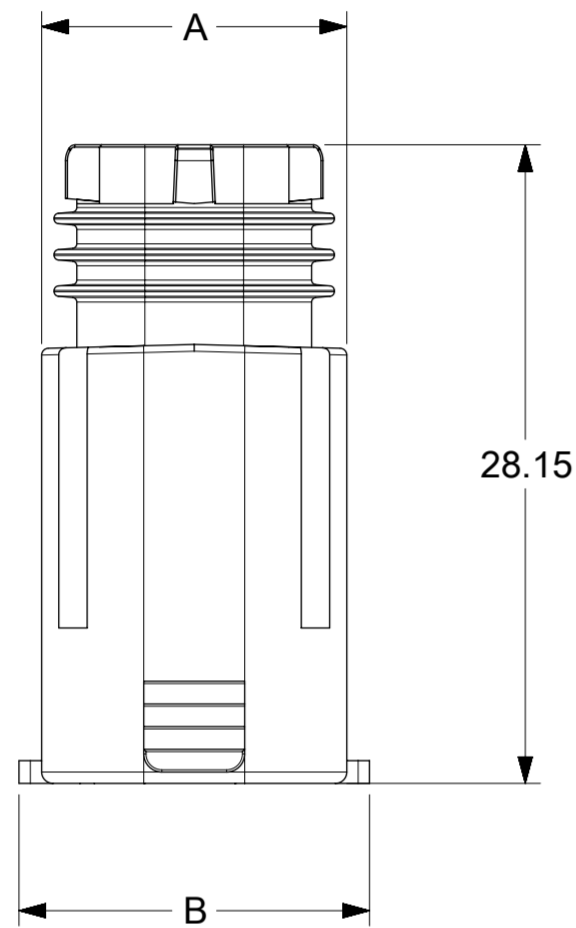
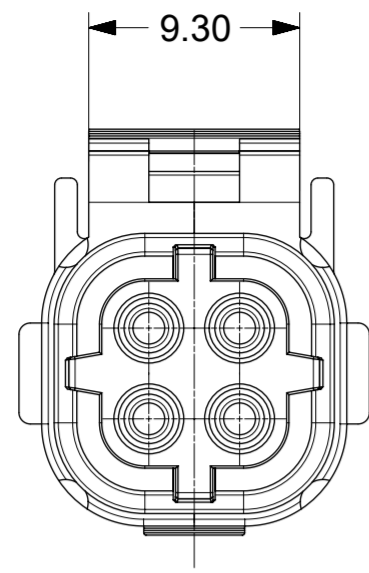
NOTES:

1. HOUSING MATERIAL PP UL94V0, COLOR-NATURAL
2. SEALING MATERIAL: TPE, COLOR-BLACK
3. MATES WITH PLUG HOUSING SERIES 172877
4. HOUSING DESIGNED TO BE USED WITH SOCKET SERIES 173042
5. COSMETIC SPECIFICATION PS-45499-002 CLASS 'C'
6. PRODUCT SPECIFICATION: PS-172877-0001
7. PACKAGING SPECIFICATION: 1728780010
8. CAVITY NUMBERS IDENTIFIED ON HOUSING (ON SEAL SURFACE)
9. VOID PLUG TO BE USED WITH RECEPTACLES HOUSING SERIES 173061

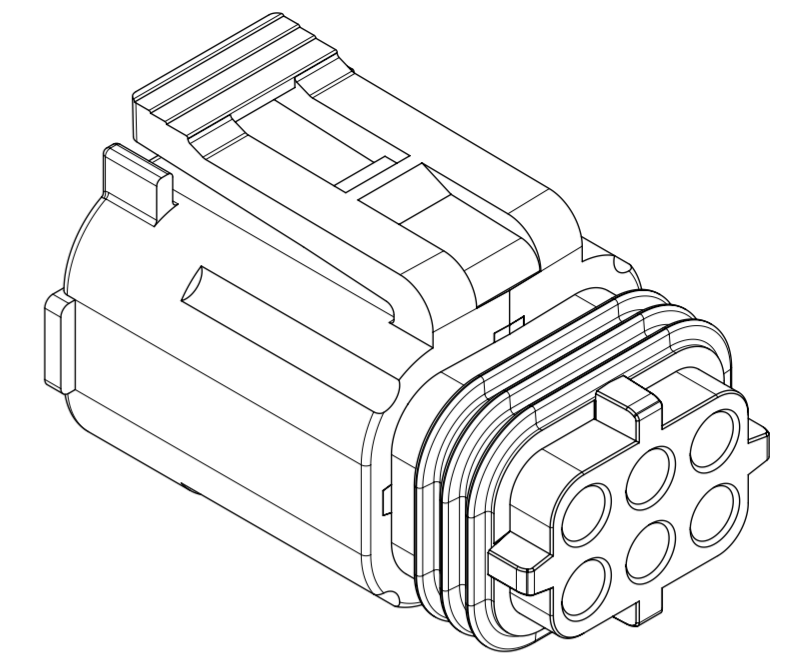
SINGLE ROW PART NUMBER LIST

PART NUMBER	CIRCUIT SIZE	DIM A	DIM B	DIM C	DIM D	TOOLING STATUS
172878-0002	1X2	13.85	15.85	9.45	13.49	TOOLED
TBD	1X3	17.85	19.85	9.85	13.89	NOT TOOLED
TBD	1X4	21.85	23.85	9.45	13.49	NOT TOOLED

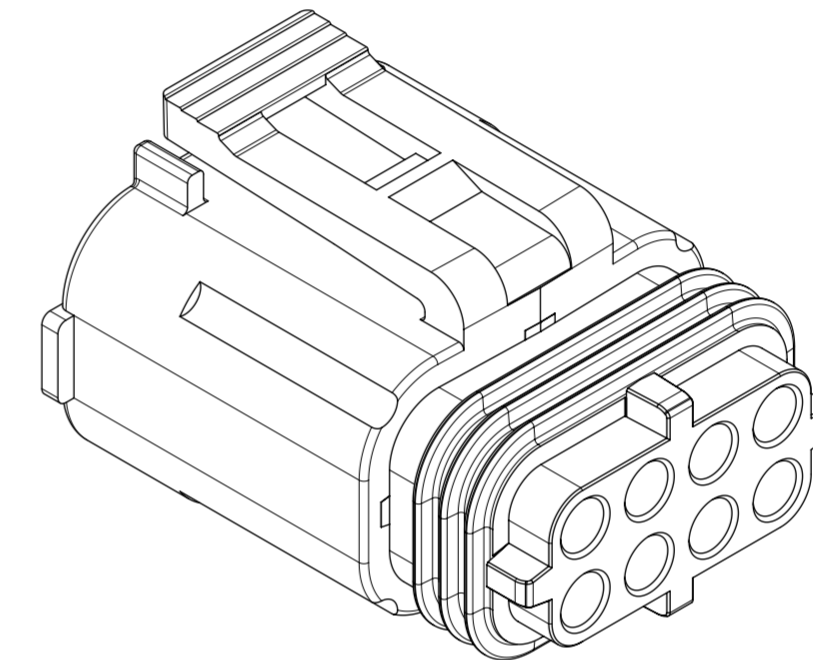
THIS DRAWING CONTAINS INFORMATION THAT IS PROPRIETARY TO MOLEX ELECTRONIC TECHNOLOGIES, LLC AND SHOULD NOT BE USED WITHOUT WRITTEN PERMISSION											
REVISED-RSD TO SD EC NO: 107386 DRWN: ISHWARG CHKD: REV APPR: KPRASAD	2016/08/09	2016/08/18	GENERAL TOLERANCES (UNLESS SPECIFIED)		DIMENSION UNITS	SCALE	molex RECEPTACLE HOUSING WITH INTEGRATED SEAL VALUSEAL				
					MM	3:1					
			ANGULAR TOL ± 0.5 °		DRWN BY	DATE	PRODUCT CUSTOMER DRAWING				
			4 PLACES ±		SS06	2015/02/23					
			3 PLACES ±		CHK'D BY	DATE	SERIES MATERIAL NUMBER CUSTOMER 172878 SEE TABLE GENERAL MARKET				
		2 PLACES ± 0.25		APPR BY	DATE						
		1 PLACE ± 0.36		RHODGE	2015/04/06	DRAWING SIZE THIRD ANGLE PROJECTION A2					
		0 PLACES ±									
		DRAFT WHERE APPLICABLE MUST REMAIN WITHIN DIMENSIONS				DOCUMENT NUMBER DOC TYPE DOC PART SHEET NUMBER SD-172878-0001 PSD 000 1 OF 2					



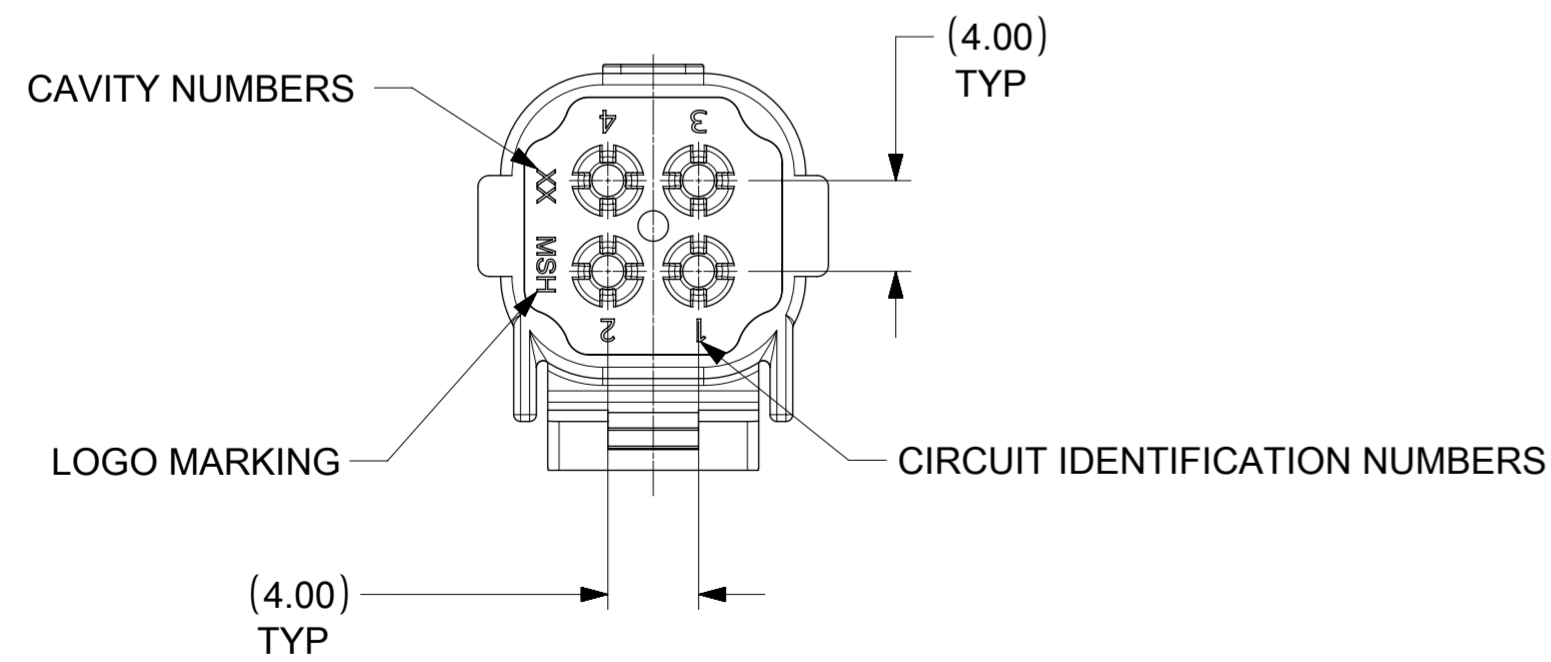
ISOMETRIC VIEW
CIRCUIT 2X2



ISOMETRIC VIEW
CIRCUIT 2X3



ISOMETRIC VIEW
CIRCUIT 2X4



DUAL ROW PART NUMBER LIST

PART NUMBER	CIRCUIT SIZE	DIM A	DIM B	DIM C	DIM D	TOOLING STATUS
172878-0040	2X2	13.45	15.45	13.45	17.49	TOOLED
TBD	2X3	17.45	19.25	13.85	17.89	NOT TOOLED
TBD	2X4	21.45	23.45	13.45	17.49	NOT TOOLED

THIS DRAWING CONTAINS INFORMATION THAT IS PROPRIETARY TO MOLEX ELECTRONIC TECHNOLOGIES, LLC AND SHOULD NOT BE USED WITHOUT WRITTEN PERMISSION

REVISED-RSD TO SD EC NO: 107386 DRWN: ISHWARG CHKD: APPR: KPRASAD	2016/08/09	2016/08/18	GENERAL TOLERANCES (UNLESS SPECIFIED)	DIMENSION UNITS	SCALE	
			ANGULAR TOL ± 0.5 °	MM	3:1	
			4 PLACES ±	DRWN BY	DATE	
			3 PLACES ±	SS06	2015/02/23	
		2 PLACES ± 0.25	CHK'D BY	DATE	RECEPTACLE HOUSING WITH INTEGRATED SEAL VALUSEAL PRODUCT CUSTOMER DRAWING	
		1 PLACE ± 0.36	APPR BY	DATE		
		0 PLACES ±	RHODGE	2015/04/06		
		DRAFT WHERE APPLICABLE MUST REMAIN WITHIN DIMENSIONS	DRAWING SIZE	THIRD ANGLE PROJECTION		
G2			A2			SERIES: 172878 MATERIAL NUMBER: SEE TABLE CUSTOMER: GENERAL MARKET
						DOCUMENT NUMBER: SD-172878-0001 DOC TYPE: PSD DOC PART: 000 SHEET NUMBER: 2 OF 2