



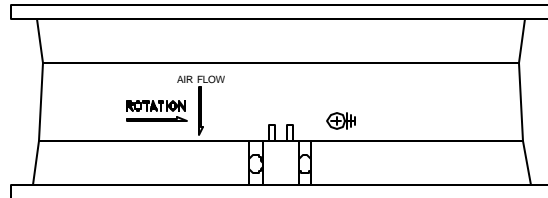
ALL RIGHTS RESERVED. NO PORTION OF THIS PUBLICATION, WHETHER IN WHOLE OR IN PART CAN BE REPRODUCED WITHOUT THE EXPRESS WRITTEN CONSENT OF SPC TECHNOLOGY.

SPC-F008.DWG

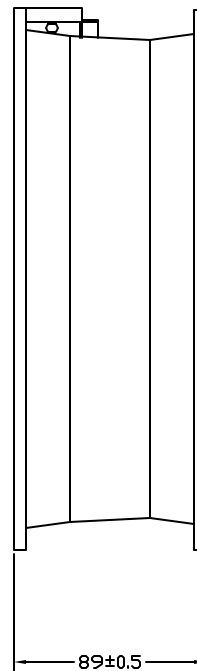
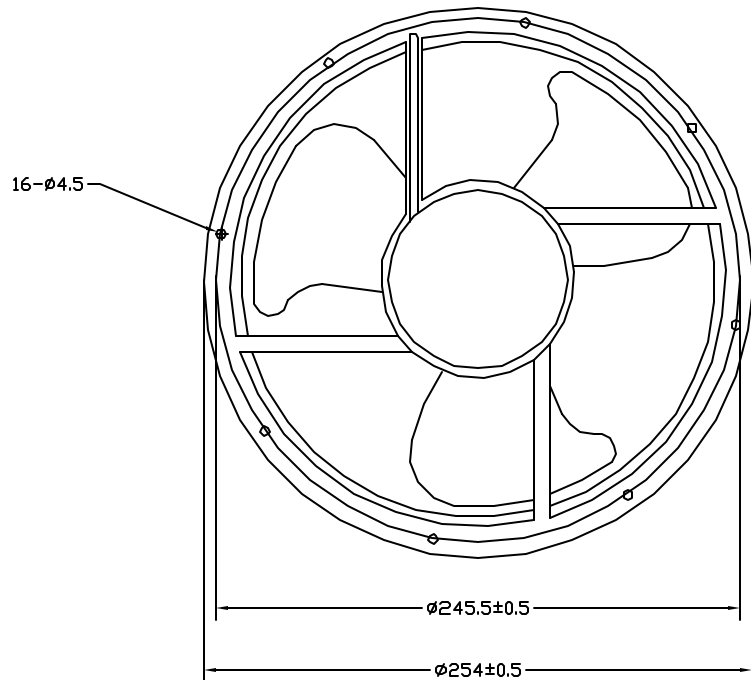
REVISIONS

DOC. NO. SPC-F005 \* Effective: 7/8/02 \* DCP No: 1398

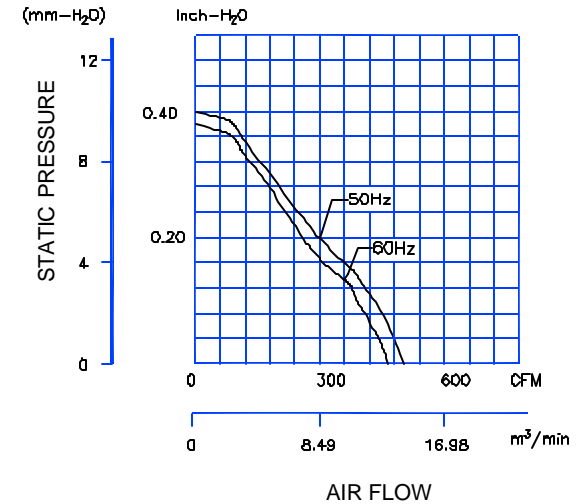
DCP #	REV	DESCRIPTION	DRAWN	DATE	CHECKD	DATE	APPRVD	DATE
1943		Released	JWM	8/17/04	JN	2/14/08	JN	2/14/08



ROTATION



PERFORMANCE CURVES



SPECIFICATIONS

- 1-1. Rated Voltage : 220-240 VAC 50/60 Hz
- 1-2. Operating Voltage Range : 150-250 VAC
- 1-3. Starting Voltage : 150 VAC (25°C POWER ON/OFF)
- 1-4. Rated Speed : 2100/1900 RPM ± 10 %
- 1-5. Air Delivery : 850/770 CFM
- 1-6. Static Pressure : 0.40/0.38 Inch-H<sub>2</sub>O
- 1-7. Rated Current : 0.24/0.27 AMP
- 1-8. Rated Power : 56/60 WATTS
- 1-9. Noise Level : 57/55 dB(A)
- 1-10. Direction of Rotation : Counter-clockwise viewed from front of fan blade
- 1-11. Operating Temperature : -10 to +80 Deg.C
- 1-12. Storage Temperature : -30 to +80 Deg.C
- 1-13. Bearing System : Precision
- 1-14. Weight : 2000g
- 1-15. Safety : UL/CUR/CE Approved

DISCLAIMER:  
ALL STATEMENTS AND TECHNICAL INFORMATION CONTAINED HEREIN ARE BASED UPON INFORMATION AND/OR TESTS WE BELIEVE TO BE ACCURATE AND RELIABLE. SINCE CONDITIONS OF USE ARE BEYOND OUR CONTROL, THE USER SHALL DETERMINE THE SUITABILITY OF THE PRODUCT FOR THE INTENDED USE AND ASSUME ALL RISK AND LIABILITY WHATSOEVER IN CONNECTION THEREWITH.

TOLERANCES:  
UNLESS OTHERWISE SPECIFIED, DIMENSIONS ARE FOR REFERENCE PURPOSES ONLY.

DRAWN BY:	DATE:
Jeff McVicker	8/17/04
CHECKED BY:	DATE:
Jason Nash	2/14/08
APPROVED BY:	DATE:
Jason Nash	2/14/08

DRAWING TITLE:			
<b>Axial AC Fan, 240VAC</b>			
SIZE	DWG. NO.	ELECTRONIC FILE	REV
A	MC23266	75M2155.DWG	
SCALE:	U.O.M.:	SHEET:	
NTS	Millimeters	1 OF 1	