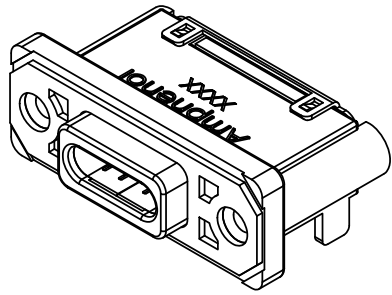
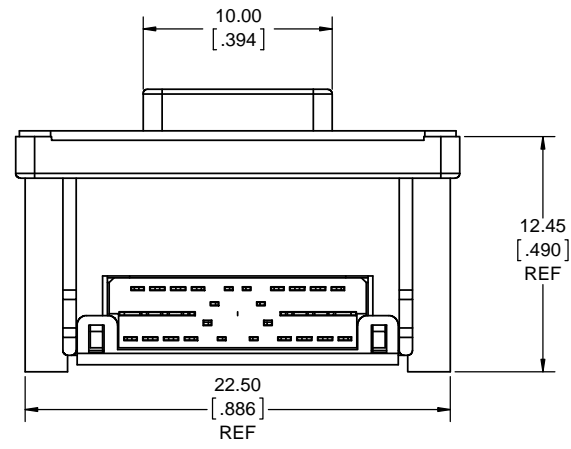
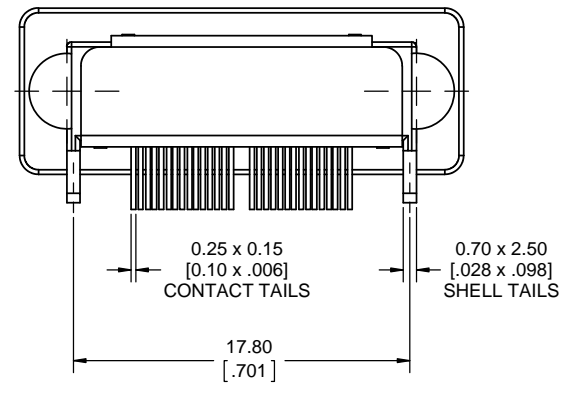
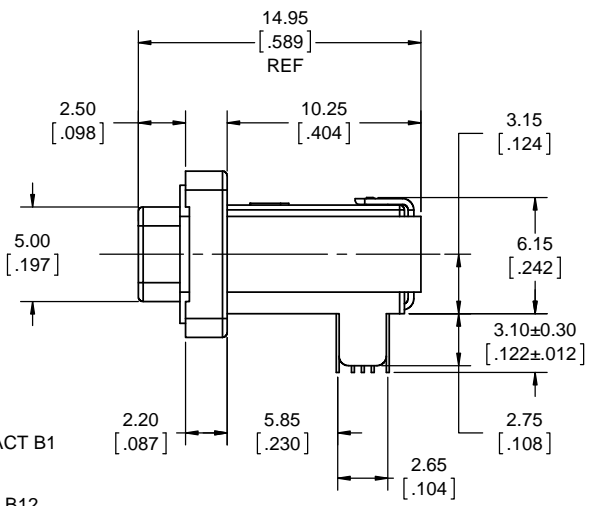
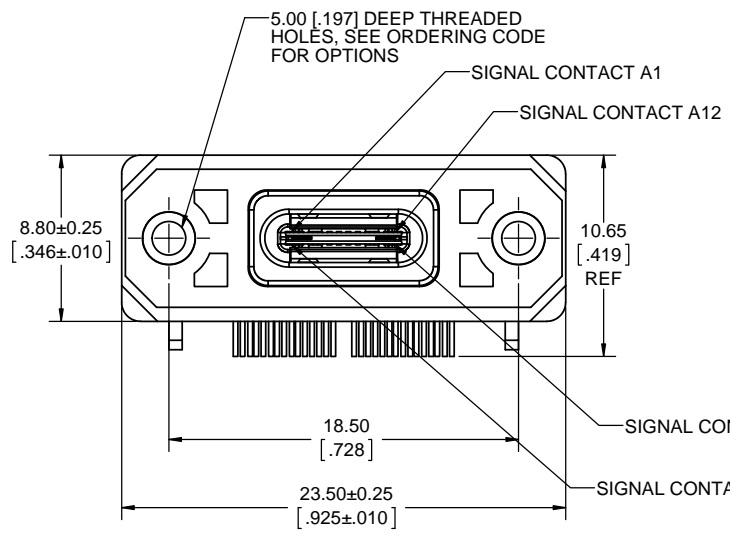


REVISIONS			
REV	DESCRIPTION, ECN, EAR NO.	DATE	APP'D
C	PROPOSAL DRAWING EAR 14368	SEP16/15	K.L.



**NOTES:**

- MATERIAL:**  
ALL MATERIALS ARE RoHS COMPLIANT PER EU DIRECTIVE 2011/65/EU AND AMENDMENTS
  - OUTER SHELL: DIECAST ZINC ALLOY, MATTE TIN OVER NICKEL PLATING
  - CONTACTS: COPPER ALLOY, PLATED WITH 0.76µm [30µ"] MINIMUM GOLD OVER 1.27µm [50µ"] MINIMUM NICKEL ON THE MATING AREA WITH MATTE TIN OVER NICKEL ON THE TAILS
  - USB HOUSING: ENGINEERING THERMOPLASTIC, HIGH TEMPERATURE RESISTANT, FLAMMABILITY RATING UL94V-0, BLACK
  - USB SHIELD: STAINLESS STEEL, PASSIVATED
  - REAR COVER: STAINLESS STEEL, PASSIVATED.
  - GASKET: CONDUCTIVE SILICONE RUBBER, BLACK
- ENVIRONMENTAL PERFORMANCE PER IEC 60529 CODE IP67 FOR SEAL BETWEEN MATING AREA AND PCB SIDE OF CONNECTOR. GASKET PROVIDES SEAL TO INSIDE FACE OF ENCLOSURE PANEL.
- CURRENT RATING: COLLECTIVELY 5A MAX. FOR PINS A4, A9, B4, & B9 PLUS 1.25A MAX. FOR PIN B5 WITH RETURN PATH SHARED THROUGH PINS A1, A12, B1 & B12. ADDITIONAL POSITIONS 0.25A MAX. EACH.
- CONTACT RESISTANCE: 40 MILLIOHMS MAXIMUM INITIAL.
- OPERATING TEMPERATURE: -40°C TO +105°C.

**ORDERING CODE: MUSBR-M1C1-X0**

SERIES, RUGGED USB

USB TYPE 'C' RECEPTACLE, SINGLE PORT, RIGHT ANGLE PCB TAILS, 24 CONTACTS

MOUNTING HOLE THREAD OPTION:  
3 = #2-56 UNC THREAD  
M = M2.5 X 0.45 THREAD

STANDARD, NO DUST COVER



UNLESS SPECIFIED OTHERWISE	DRAWN	M. PAHULJE	MAY07/15
PRIMARY UNITS MILLIMETERS	CHECKED		
SECONDARY UNITS INCHES	M.E. APP'D		
REFERENCE IN PARENTHESES	Q.A. APP'D		
GENERAL TOLERANCES	DWG APPR.	K. LAMBIE	MAY14/15
1 DECIMAL PLACE	ENG. REL. NO.		
2 DECIMAL PLACES ±0.15	REF.	EAR 14368	
3 DECIMAL PLACES ±0.05	THIRD ANGLE PROJECTION		
ANGULAR DEGREES	DO NOT SCALE DRAWING		

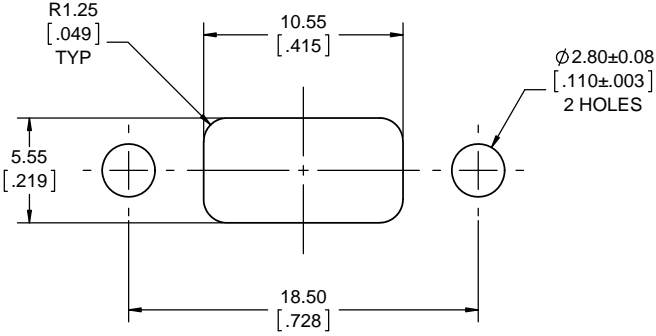
**Amphenol Canada Corp.**  
www.amphenolcanada.com

**RUGGED USB TYPE 'C' RECEPTACLE, RIGHT ANGLE, PCB MOUNT, RoHS COMPLIANT**

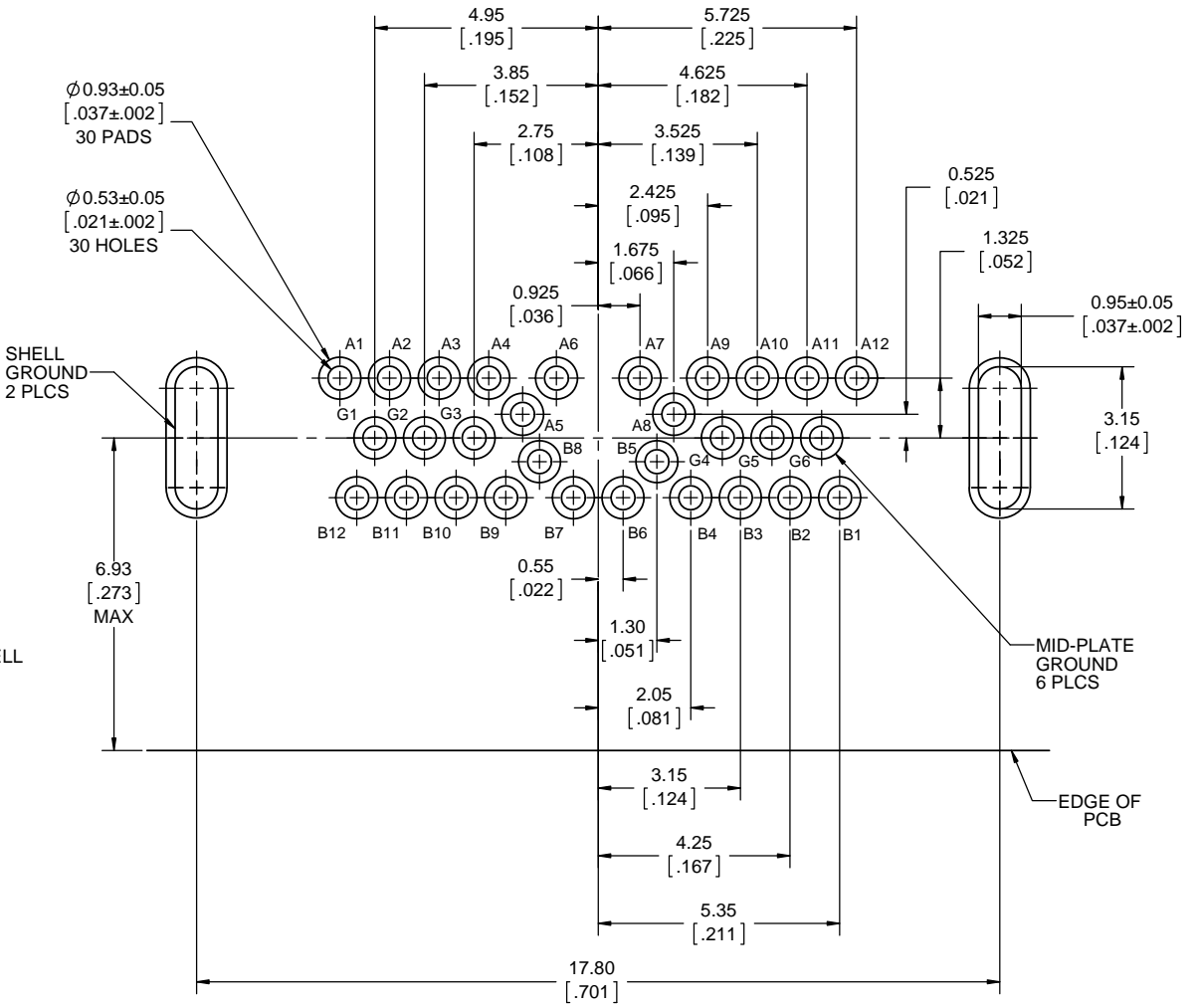
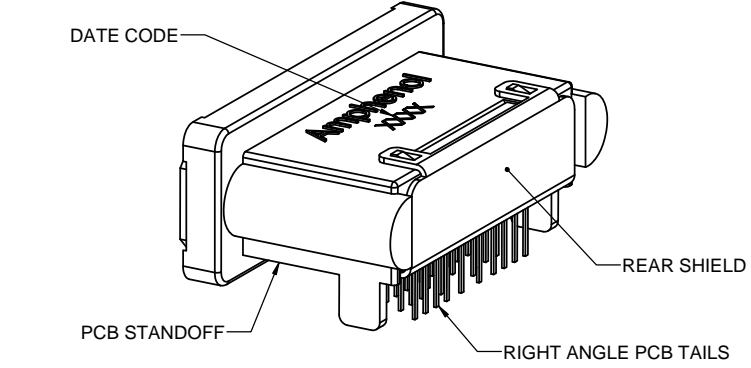
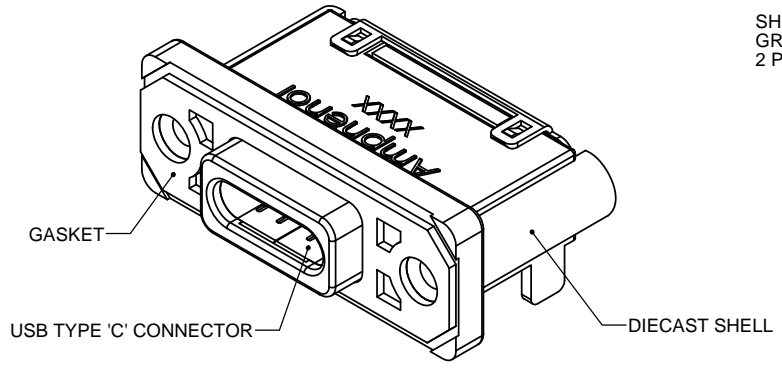
DWG. NO. **P-MUSBR-M1C1-X0** REV **C**

CODE ID NO. 03554 DWG SIZE: X SCALE: 5:1 SHEET 1 OF 2

REVISIONS			
REV	DESCRIPTION, ECN, EAR NO.	DATE	APP'D
C	PROPOSAL DRAWING EAR 14368	SEP16/15	K.L



RECOMMENDED PANEL CUTOUT  
OUTSIDE VIEW OF PANEL



RECOMMENDED PCB LAYOUT  
COMPONENT SIDE OF BOARD



UNLESS SPECIFIED OTHERWISE	DRAWN	M. PAHULJE	MAY07/15
PRIMARY UNITS MILLIMETERS	CHECKED		
SECONDARY UNITS INCHES	M.E. APP'D		
REFERENCE IN PARENTHESES	Q.A. APP'D		
GENERAL TOLERANCES	DWG APPR.	K. LAMBIE	MAY14/15
1 DECIMAL PLACE	ENG. REL. NO.		
2 DECIMAL PLACES ±0.15	REF.	EAR 14368	
3 DECIMAL PLACES ±0.05	THIRD ANGLE PROJECTION		
ANGULAR DEGREES	DO NOT SCALE DRAWING		

**Amphenol Canada Corp.**  
www.amphenolcanada.com

**RUGGED USB TYPE 'C' RECEPTACLE,  
RIGHT ANGLE, PCB MOUNT,  
RoHS COMPLIANT**

DWG. NO. **P-MUSBR-M1C1-X0** REV **C**

CODE ID NO. 03554 DWG SIZE: X SCALE: 5:1 SHEET 2 OF 2