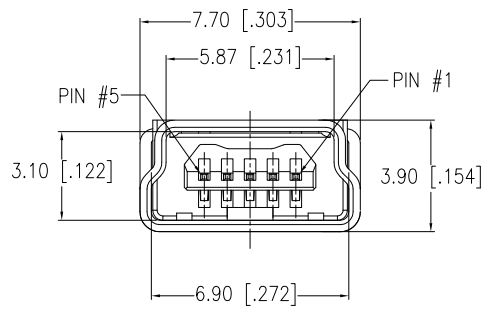
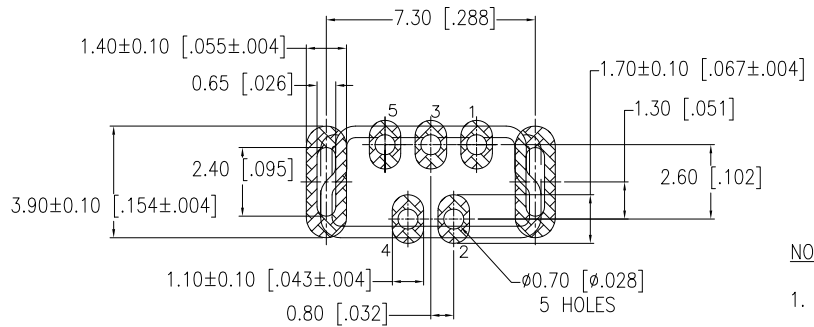


REVISIONS				
SYM	ZONE	ECN, ERN NO.	DATE	APPRD.
B		PRODUCT DWG (EAR 14195)	JUN07/13	K.L.
C		PRODUCT DWG (EAR 14206)	JUN19/13	K.L.



FRONT VIEW



RECOMMENDED P.C.B. LAYOUT
(COMPONENT SIDE OF BOARD)
TOLERANCE: ±0.05mm

NOTES:

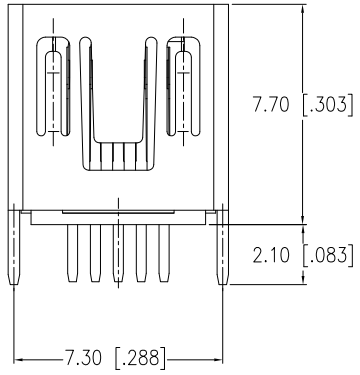
- MATERIALS:**

HOUSING: HIGH TEMPERATURE PLASTIC, OR PBT
FLAMMABILITY UL94V-0.

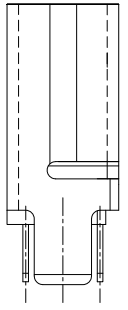
CONTACTS: COPPER ALLOY,
PLATING: GOLD ON MATING AREA (SEE AMPHENOL PART NO. OPTION).
MATTE TIN OR GOLD FLASH ON CONTACT TAILS.
NICKEL UNDERPLATE.

SHELL: COPPER ALLOY,
NICKEL.

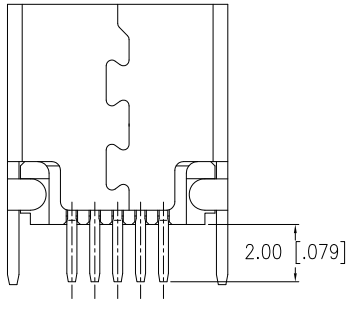
2. OPERATING TEMPERATURE: -40°C TO +105°C



TOP VIEW



SIDE VIEW



BOTTOM VIEW

AMPHENOL PART NO.: UE25 - BEX5 - 10X

SERIES _____
UE25=MINI USB RECEPTACLE

TYPE _____
B=SERIES B

STYLE _____
E=TOP ENTRY

CONTACT PLATING _____
5=30µ" [0.76 MICRONS] GOLD PLATING ON CONTACT MATING AREA
7=GOLD FLASH OVER NICKEL ON CONTACT MATING AREA.

MODIFIER
0=PBT
H=HIGH TEMP MATERIAL(<260°C)

SHIELD OPTIONS
0=WITHOUT REAR SHELL

COLOUR
1=BLACK

NUMBER OF CONTACTS
5=5 CONTACTS

UNLESS OTHERWISE SPECIFIED TOLERANCES ARE +0.30mm	DRAWN <i>HUILAN WANG</i>	DATE <i>APR 25,08</i>
	DESIGNED <i>MT CHEN</i>	DATE <i>APR 25,08</i>
	CHECKED <i>L.CHAN</i>	DATE <i>APR 25,08</i>
	I. E. APPRD.	
	Q. A. APPRD.	
	DWG. APPRD. <i>K.LAMBIE</i> <i>TBD</i>	
ENG. REL. NO.		
REF.		
DIMENSIONS ARE IN _____	CODE ID. NO. _____	
MM [INCHES]	03554	

Amphenol Canada Corp.

TITLE
UNIVERSAL SERIAL BUS MINI-B RECEPTACLE, VERTICAL PCB TAIL, ROHS COMPLIANT

DWG	DRAWING NO.	REV.
C	P-UE25-BEX5-10X	C
SCALE 3/1	WT. _____	SURF. _____
		SHEET 1 OF 1

THIS DOCUMENT CONTAINS PROPRIETARY INFORMATION AND SUCH INFORMATION MAY NOT BE DISCLOSED TO OTHERS FOR ANY PURPOSE OR USED FOR MANUFACTURING PURPOSES WITHOUT WRITTEN PERMISSION FROM AMPHENOL CANADA CORP.