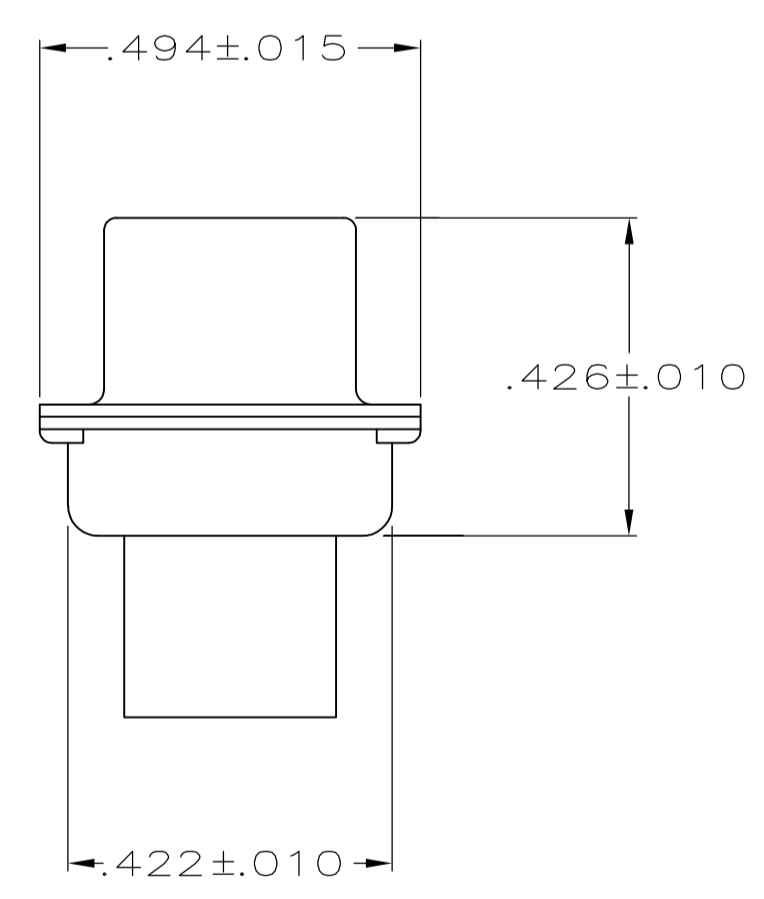
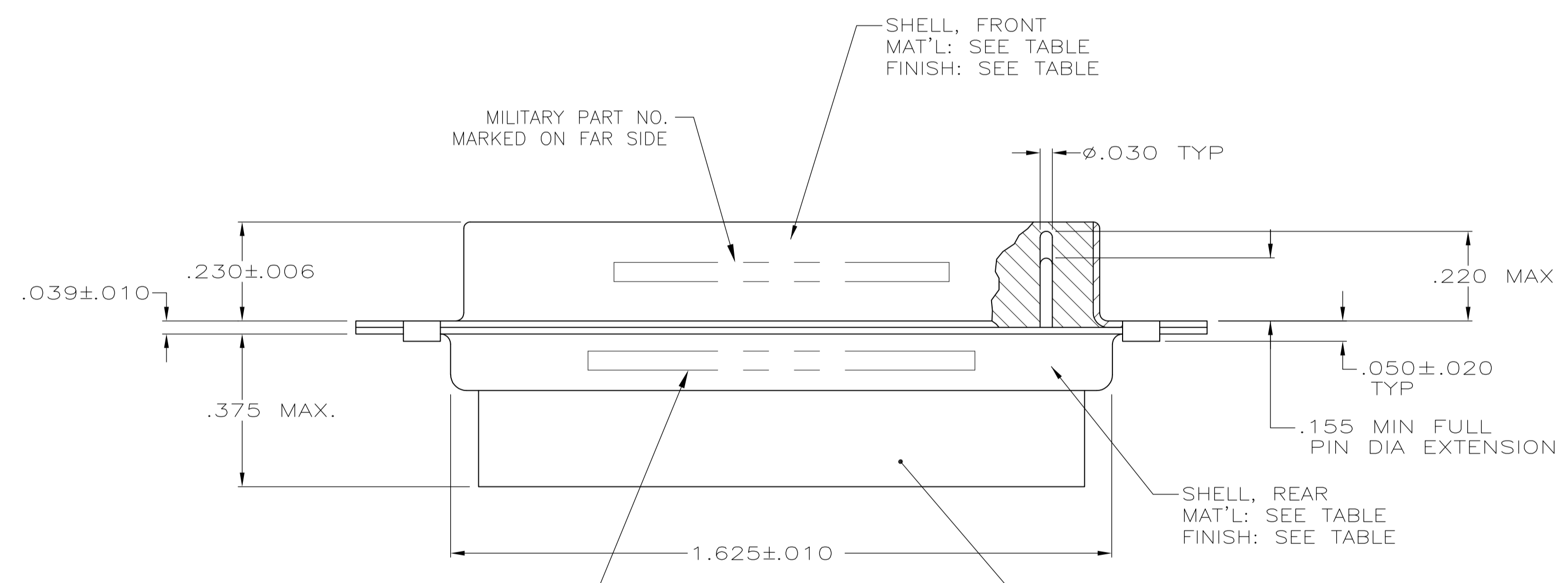
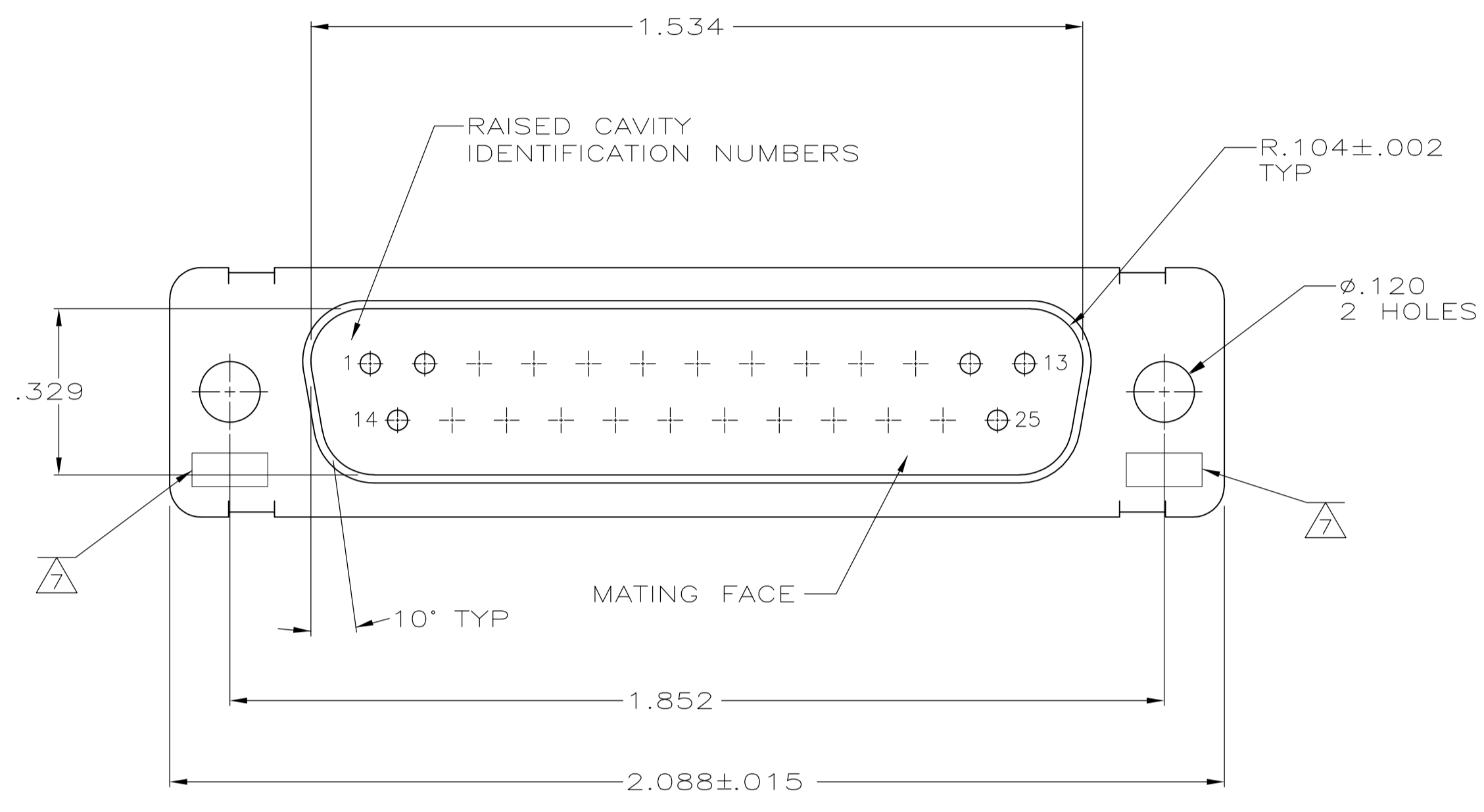


| LOC | | DIST | | REVISIONS | | | |
|-----|-----|-----------------------|---------|-----------|------|--|--|
| P | LTR | DESCRIPTION | DATE | DWN | APVD | | |
| S | | REV PER ECO-15-016062 | 10NOV15 | KG | CD | | |

1. THIS PLUG IS DESIGNED TO CONFORM TO THE LATEST ISSUE OF MIL-C-24308.
2. MAXIMUM WIRE INSULATION TO BE USED WITH THIS PLUG IS $\phi.068$.
3. STAINLESS STEEL RETENTION CLIPS ARE INCLUDED IN INSERTS.
- ~~4. PACKAGE STAMPED M 24308/4 261F.~~
5. THIS PLUG WILL ACCEPT SIZE 20 PIN CONTACT M39029/64-369 OR ANY TYCO HD-20 PIN CONTACT.
- 6 MFG'S PART NO. STAMPED ON CONNECTOR REPRESENTS KIT NUMBER WITH CONTACTS.
- 7 UL/CSA DESIGNATION STAMPED IN THIS AREA.
- ~~8 TE CONNECTIVITY, 205560-2, & DATE CODE INK STAMPED, FAR SIDE.~~
- ~~9 TE CONNECTIVITY, 205166-4 INK STAMPED, FAR SIDE.~~
- 10 FINISH: BRIGHT TIN PER ASTM-B-545 .000400-.000550 THK OVER COPPER PER AMS2418 .000050 MIN THK.
- 11 FRONT SHELL HAS GROUNDING INDENTS, 205166-4 ONLY, (NOT SHOWN).
- ~~12 M24308/4 F INK STAMPED, FAR SIDE.~~



MFG'S NAME, BRAND OR LOGO, MFG'S PART NO. & DATE CODE MARKED ON FAR SIDE

MILITARY PART NO. MARKED ON FAR SIDE

INSERT ASSY MATERIAL PER MIL-DTL-24308

| REMARKS | MILITARY PART NO. MARKED ON PACKAGE | MILITARY PART NO. MARKED ON CONNECTOR | MFG'S PART NO. MARKED ON CONNECTOR | FINISH | SHELL MATERIAL | PART NO. |
|-------------------|-------------------------------------|---------------------------------------|------------------------------------|----------------------|----------------|----------|
| | | | 205166-5 | 10 | STEEL, CLASS G | 205166-5 |
| | | | 205166-4 | 10 | STEEL, CLASS G | 205166-4 |
| SUPSD BY 206800-2 | | | | CADMIUM PER QQ-P-416 | BRASS | 205166-2 |
| | M24308/4-261F | M24308/4-3F | 205560-2 | CADMIUM PER QQ-P-416 | STEEL, CLASS G | 205166-1 |

THIS DRAWING IS A CONTROLLED DOCUMENT.

DIMENSIONS: INCHES

TOLERANCES UNLESS OTHERWISE SPECIFIED:

| | |
|--------|---------|
| 0 PLC | ± .005 |
| 1 PLC | ± .005 |
| 2 PLC | ± .005 |
| 3 PLC | ± .005 |
| 4 PLC | ± .005 |
| ANGLES | ± .030° |

MATERIAL: SEE CALLOUTS

FINISH: SEE CALLOUTS

WEIGHT: --

CUSTOMER DRAWING

DIN: C.C.THOMAS 08-DEC-87
 CHK: F.C.BALLEW 10-DEC-87
 APVD: F.C.BALLEW 10-DEC-87

NAME: AMPLIMITE PLUG FOR PIN CONTACTS HI-DENSITY HD-20 CONNECTOR SIZE 3 (25 POSN) SERIES 109

SIZE: A1

SCALE: 4:1

SHEET: 1 OF 1

REV: S