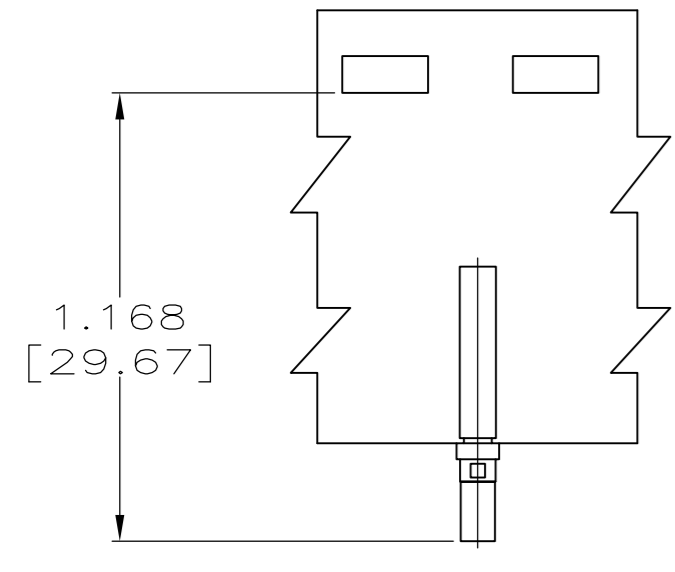
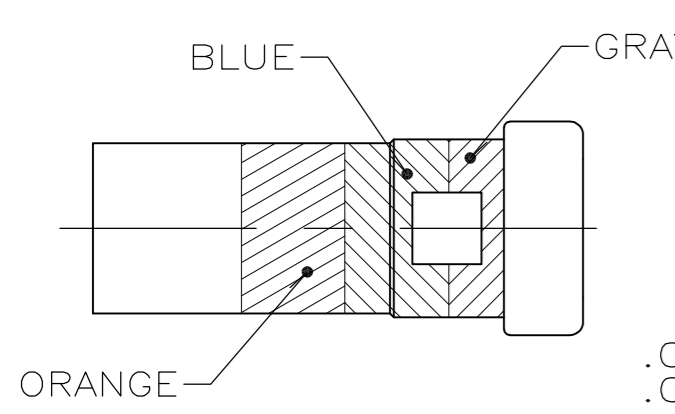
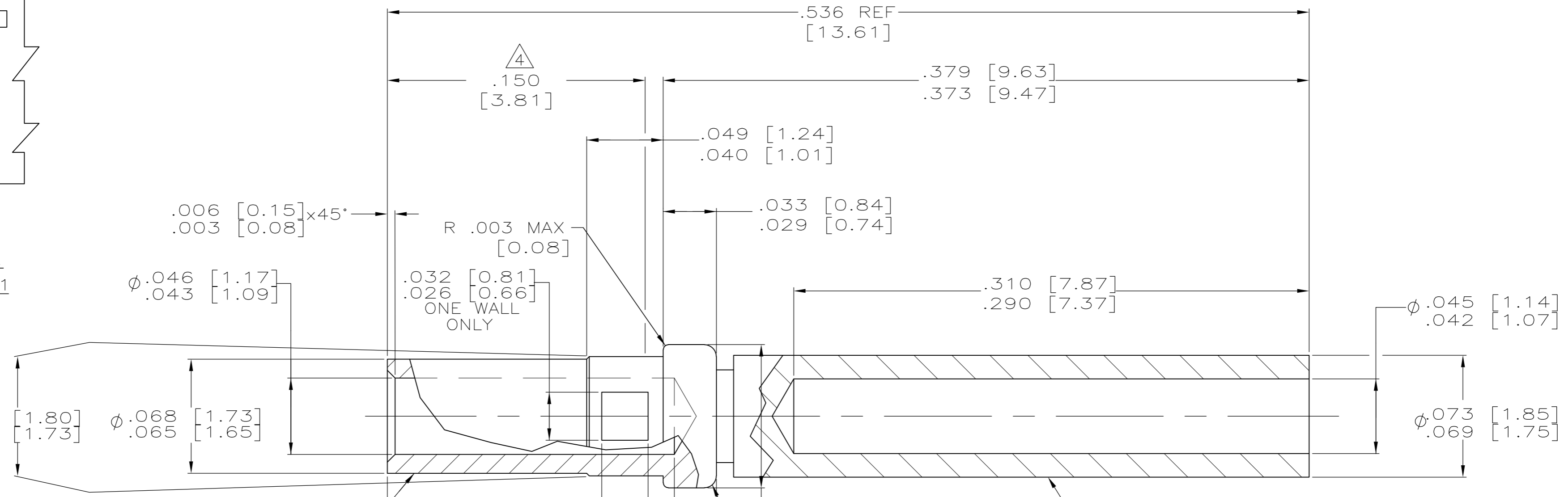


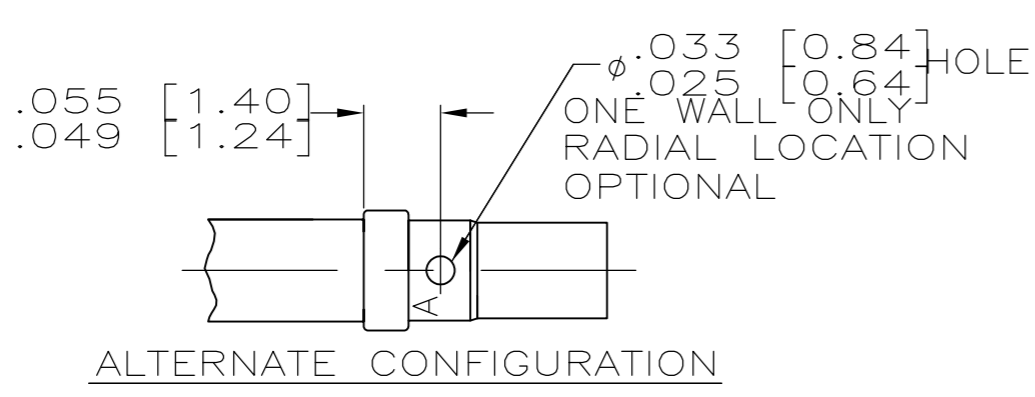
REVISIONS				
P	LTR	DESCRIPTION	DATE	APVD
U		REV PER ECO 16-017871	24MAY16	CT DM



205090-2
SCALE 2:1



COLOR CODE
BIN NO. 368
SCALE 10:1



ALTERNATE CONFIGURATION

- ALL DIMENSIONS APPLY AFTER PLATING.
- CONTACT QUALIFIED TO SAE-AS39029/63-368.
- ALL DIAMETERS CONCENTRIC WITH EACH OTHER WITHIN .004 T.I.R.
- POINT OF PLATING MEASUREMENT .150 [3.81] FROM WIRE BARREL END OF CONTACT.
- ALL SURFACES HAVE $\sqrt{63}$ OR BETTER FINISH.
- GOLD PLATED .000050 MIN THK PER ASTM-B-488 TYPE II, GRADE C, CLASS 1.25 OVER NICKEL .000050 MIN THK PER AMS-QQ-N-290 IN MATING AREAS. GOLD FLASH PER ASTM-B-488 OVER .000050 MIN THK NICKEL PER AMS-QQ-N-290 IN NON MATING AREAS.
- GOLD PLATED PER ASTM B 488 TYPE 3, GRADE C, CLASS .75 OVER NICKEL PER QQ-N-290.
- SLEEVE MAY BE CRIMPED, DIMPLED OR PRESS FIT TO BODY
- MANUFACTURER'S LOGO ("A" OR "- . .") LOCATION OPTIONAL.
- RESTRICTED PART NUMBER
- COUNTRY OF ORIGIN RESTRICTED TO UNITED STATES.

SUPERSEDED BY 1218267-3

	YES		LOOSE PIECE	4-205090-1
	NO		LOOSE PIECE	2-205090-2
				2-205090-1
	NO		LOOSE PIECE	205090-7
	YES		TAPE MOUNTED	205090-2
	YES		LOOSE PIECE	205090-1
COLOR CODE	FINISH	DESCRIPTION	PART NUMBER	

THIS DRAWING IS A CONTROLLED DOCUMENT.

DIMENSIONS: INCHES [mm]	TOLERANCES UNLESS OTHERWISE SPECIFIED: 0 PLC ± - 1 PLC ± - 2 PLC ± - 3 PLC ± .005 [0.13] 4 PLC ± - ANGLES ± -	FINISH SEE CALLOUTS	DWN C.C.THOMAS 8-17-04 CHK D.MILLER 8-17-04 APVD D.MILLER 8-17-04 PRODUCT SPEC APPLICATION SPEC WEIGHT 0.000000 CUSTOMER DRAWING	NAME C.C.THOMAS D.MILLER D.MILLER 8-17-04	TE Connectivity	SIZE A2 CAGE CODE 00779 DRAWING NO C=205090 RESTRICTED TO -
----------------------------	---	------------------------	--	---	-----------------	--

SCALE 20:1 SHEET 1 of 1 REV U