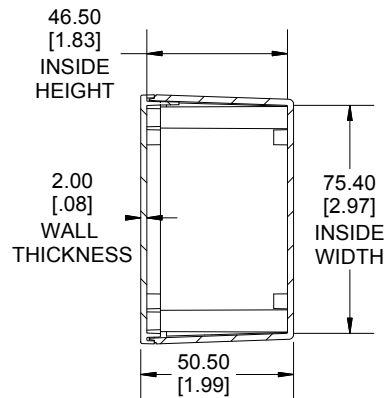
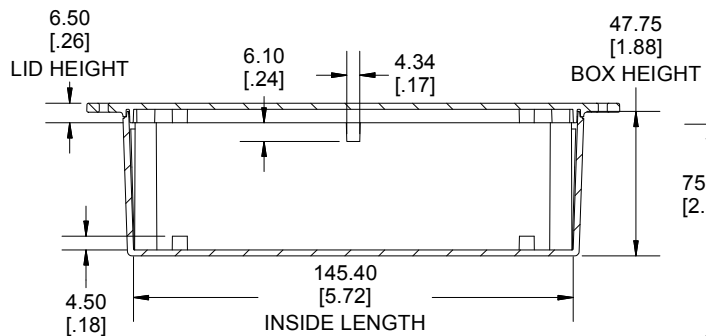


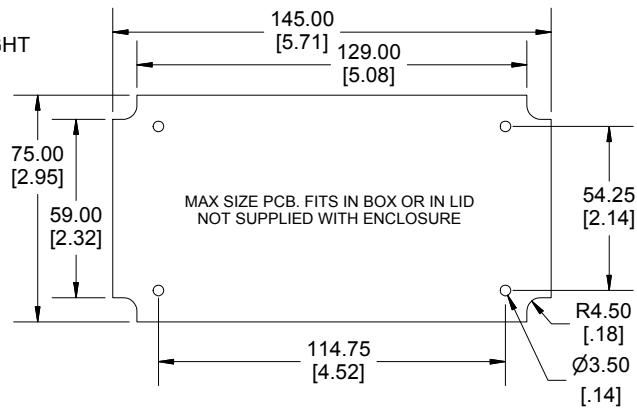
TOP VIEW



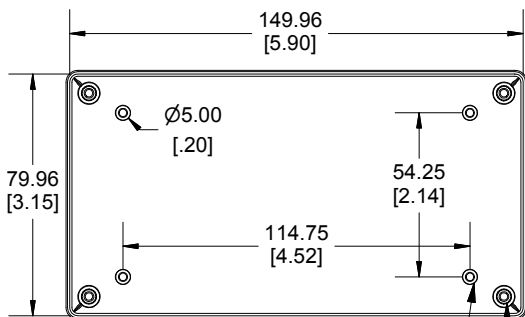
**SECTION B-B
END VIEW**



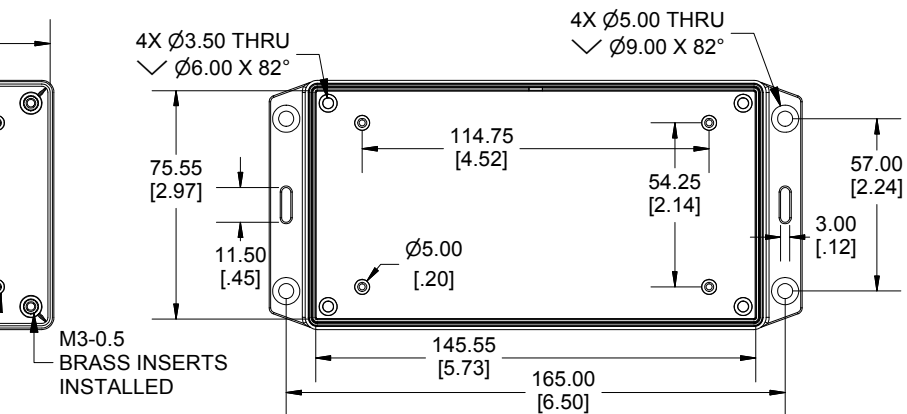
**SECTION A-A
SIDE VIEW**



MAX SIZE PCB. FITS IN BOX OR IN LID
NOT SUPPLIED WITH ENCLOSURE



INSIDE BOX



INSIDE LID

BOX AND LID PCB POSTS
ACCEPT #4 X1/4"
SELF-TAPPING SCREW

Dimensions:
mm
[inches]

Enclosures can be Factory Modified (Milling, Drilling, Printing etc.)
Contact Factory mjm@hammondmfg.com for quotes
Solid models of this enclosure available in STEP or IGES.
(Part number and text placement/orientation on our products are subject to change,
we do not recommend using them as a locating reference for modification purposes)

NOTE	
Purchased assembly includes box, lid, 4 cover screws and installed brass inserts.	
Enclosure molded from FRABS UL 94-V0 Plastic.	
Other materials / colours available consult factory.	
Recommended Torque : (43-50) Ozf.in / (30-35) cNm	

PART NUMBERS	
1591XXDFL Enclosure	
Black Textured Enclosure	1591XXDFLBK
Gray Textured Enclosure	1591XXDFLGY
ACCESSORIES	
Black Cover Screws [M3-0.5 X10mm]	1591MS100BK (Pkg 100)
Plated Cover Screws [M3-0.5 X10mm]	1591MS100 (Pkg 100)
P.C. Board Screws	1593ATS60 (Pkg 50)
#4 x 1/4" self-tapping (6.4mm)	1593ATS100 (Pkg 100)

**HAMMOND
MANUFACTURING**

1591XXDFL

www.hammondmfg.com