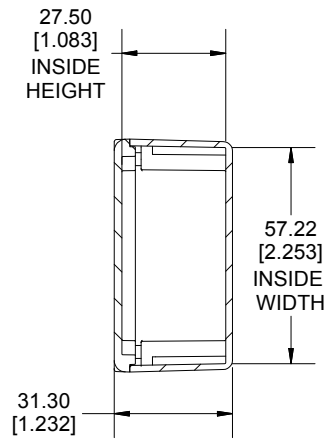
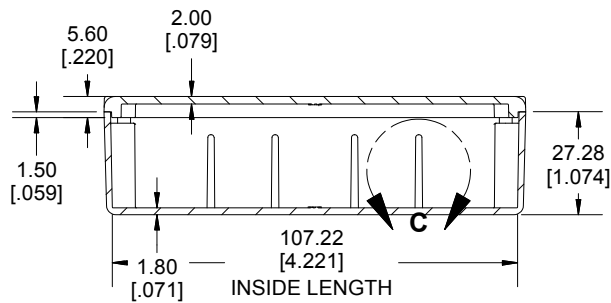


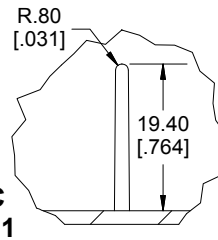
TOP VIEW



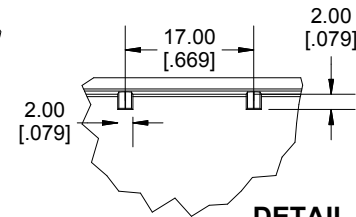
**SECTION A-A
END VIEW**



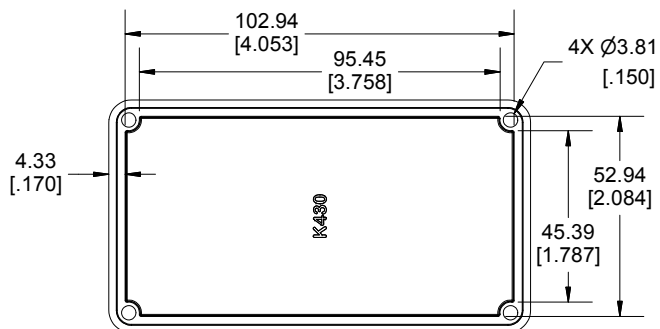
SECTION B-B



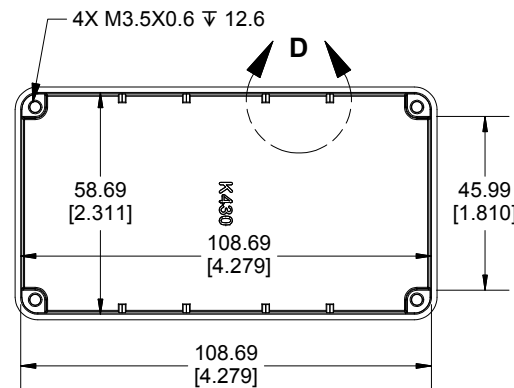
**DETAIL C
SCALE 1 : 1**



**DETAIL D
SCALE 1 : 1**



INSIDE LID



INSIDE BOX

Dimensions:
mm
[inches]

Enclosures can be Factory Modified (Milling, Drilling, Printing etc.)
Contact Factory mjm@hammondmfg.com for quotes
Solid models of this enclosure available in STEP or IGES.
(Part number and text placement/orientation on our products are subject to change,
we do not recommend using them as a locating reference for modification purposes)

NOTE	
Purchased assembly includes box, lid and 4 cover screws.	
Box and lid are made from Diecast Aluminum Alloy.	
Recommended Torque: 50-55 cN.m [71-78 ozf.in]	

PART NUMBERS	
1590K430 Enclosure	
Natural Finish Enclosure	1590K430
Black Textured Enclosure	1590K430BK
ACCESSORIES	
Plated Cover Screws (Pkg 100) [M3.5 x 12mm]	1550MS100
Black Cover Screws (Pkg 100) [M3.5 x 12mm]	1550MS100BK

**HAMMOND
MANUFACTURING®**

1590K430

www.hammondmfg.com