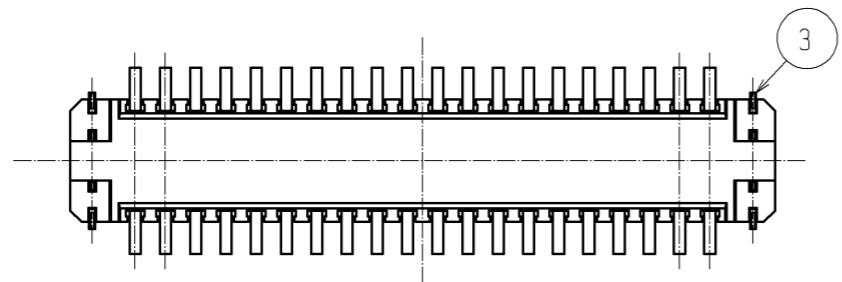
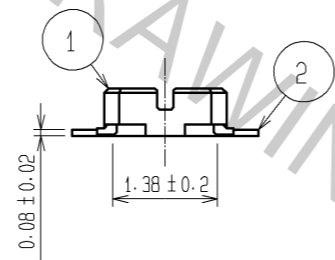
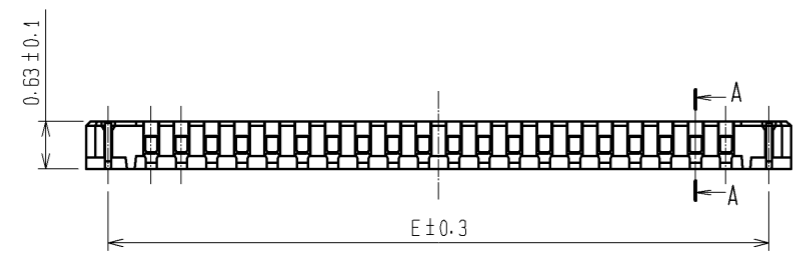
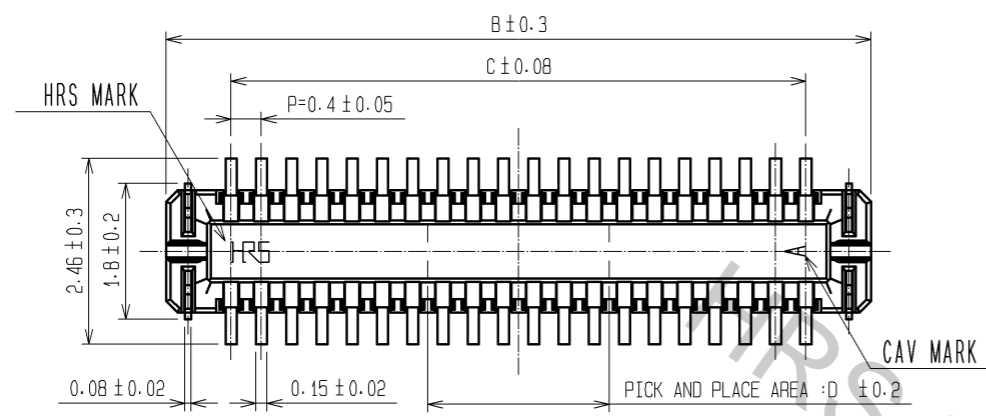
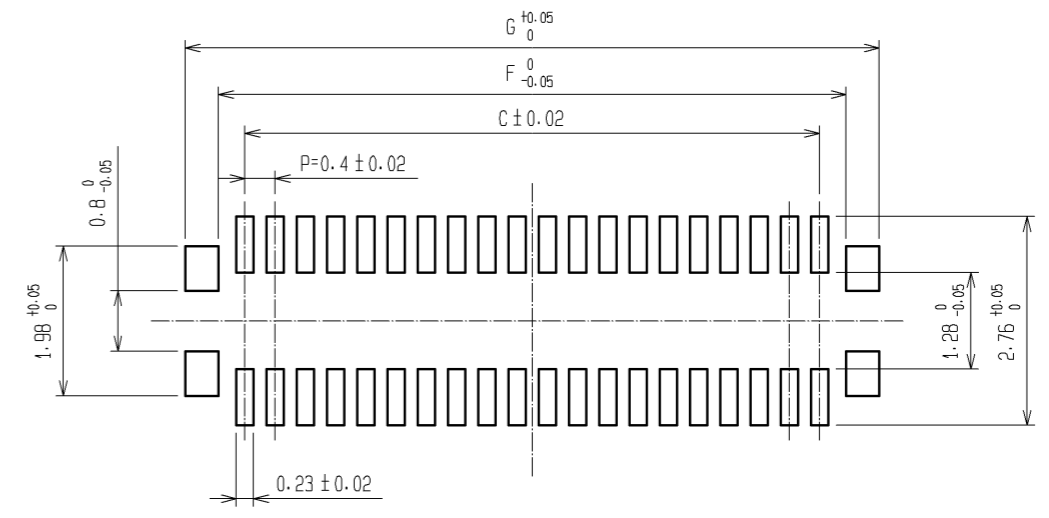


Feb.1.2017 Copyright 2017 HIROSE ELECTRIC CO., LTD. All Rights Reserved.

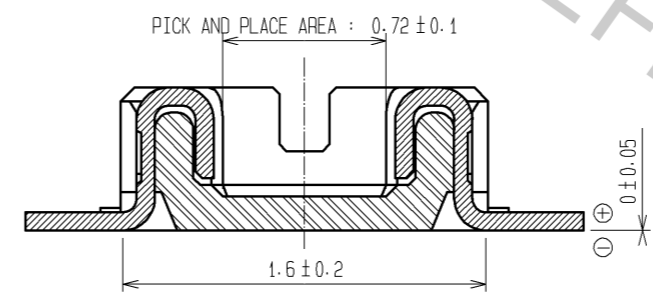


RECOMMENDED PATTERN

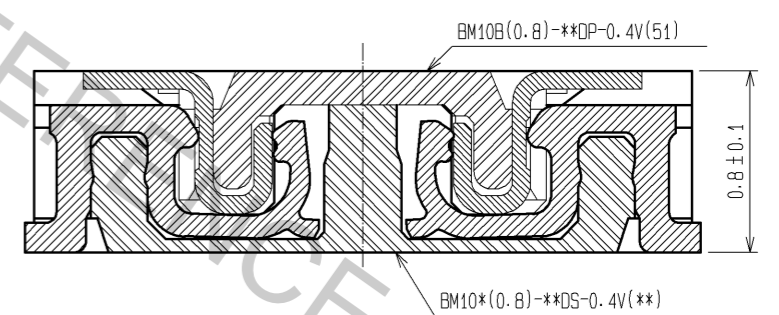


RECOMMENDED SOLDER PASTE : THICKNESS 120μm  
 RECOMMENDED METAL MASK OPENING RATIO : 100%

A-A



ENGAGEMENT FIGURE



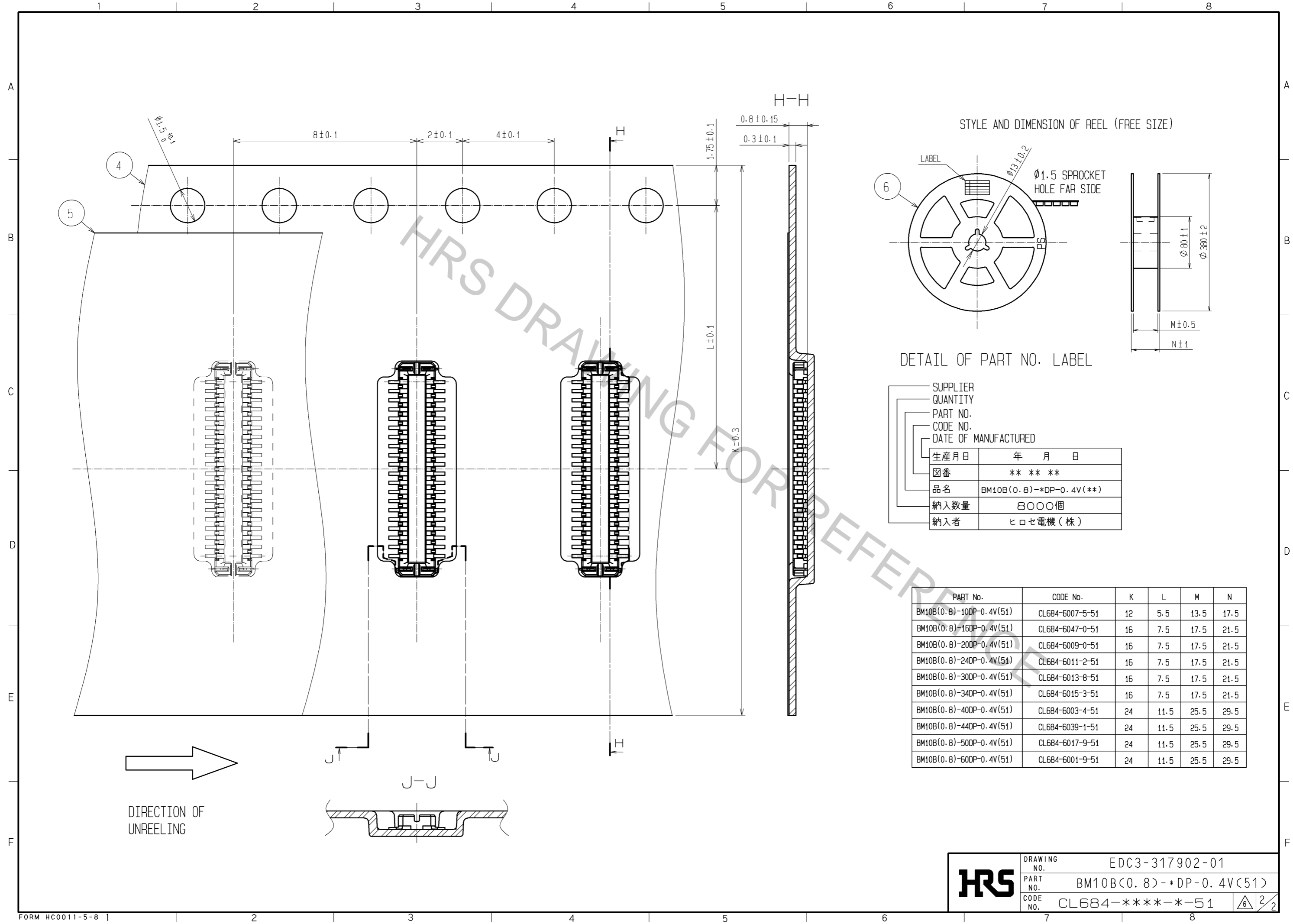
- NOTE 1. ALL LEADS CO-PLANARITY SHALL BE 0.1 MAX.  
 2. PER REEL : 8000 CONNECTORS.  
 3. AT THE BEGINNING OF THE REEL, 100 mm AT MIN SHALL BE EMPTY POCKETS.  
 AT THE END OF THE REEL, 160 mm AT MIN SHALL BE EMPTY.  
 CONTACT PLATING SPECIFICATIONS.  
 CONTACT AREA : GOLD 0.05μm MIN.  
 SMT LEAD : GOLD 0.05μm MIN.  
 UNDERPLATING : NICKEL 1μm MIN.  
 (SURFACE : SEALING)  
 METAL HOLD DOWN PLATING SPECIFICATIONS.  
 MOUNTING AREA: GOLD 0.05μm MIN.  
 UNDERPLATING : NICKEL 1μm MIN.

6. PEEL FORCE OF COVER TAPE REFERS TO JIS C 0806.  
 PLEASE CONTACT US IN CASE YOU WILL MAKE DIFFERENT SETTINGS FROM OUR RECOMMENDATION.

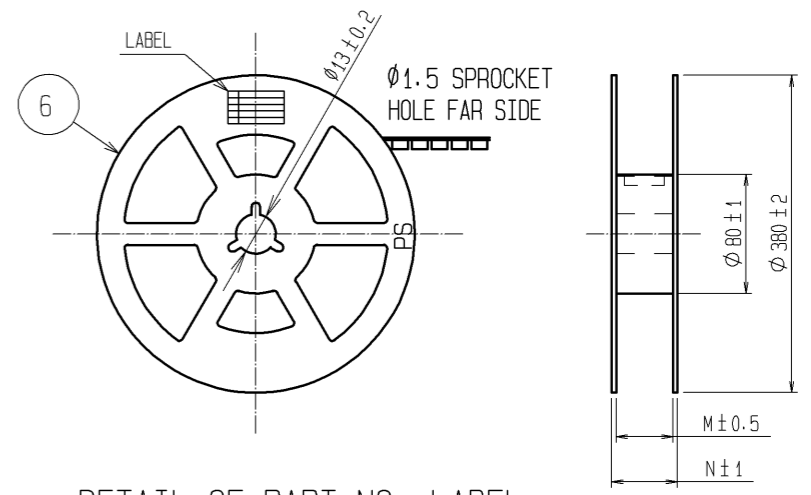
PART No.	CODE No.	B	C	D	E	F	G
BM10B(0.8)-10DP-0.4V(51)	CL684-6007-5-51	3.32	1.6	0.8	2.74	2.3	3.18
BM10B(0.8)-16DP-0.4V(51)	CL684-6047-0-51	4.52	2.8	1.6	3.94	3.5	4.38
BM10B(0.8)-20DP-0.4V(51)	CL684-6009-0-51	5.32	3.6	1.6	4.74	4.3	5.18
BM10B(0.8)-24DP-0.4V(51)	CL684-6011-2-51	6.12	4.4	2.0	5.54	5.1	5.98
BM10B(0.8)-30DP-0.4V(51)	CL684-6013-8-51	7.32	5.6	2.0	6.74	6.3	7.18
BM10B(0.8)-34DP-0.4V(51)	CL684-6015-3-51	8.12	6.4	2.4	7.54	7.1	7.98
BM10B(0.8)-40DP-0.4V(51)	CL684-6003-4-51	9.32	7.6	2.4	8.74	8.3	9.18
BM10B(0.8)-44DP-0.4V(51)	CL684-6039-1-51	10.12	8.4	2.8	9.54	9.1	9.88
BM10B(0.8)-50DP-0.4V(51)	CL684-6017-9-51	11.32	9.6	2.8	10.74	10.3	11.18
BM10B(0.8)-60DP-0.4V(51)	CL684-6001-9-51	13.32	11.6	3.2	12.74	12.3	13.18

3	PHOSPHOR BRONZE	5	6	PS	PLASTIC REEL (BLACK)			
2	PHOSPHOR BRONZE	4	5	POLYESTER	CLEAR(COVER TAPE)			
1	LCP	UL94V-0. BLACK	4	PS	CLEAR(EMBOSSED CARRIER TAPE)			
NO.	MATERIAL	FINISH . REMARKS	NO.	MATERIAL	FINISH . REMARKS			
UNITS	mm	SCALE	10 : 1	COUNT	3			
DESCRIPTION OF REVISIONS			DESIGNED	NY. YAMASHIRO	CHECKED	TS. MIYAZAKI	DATE	10.11.29
APPROVED : KH. IKEDA 08.01.23			DRAWING NO.			EDC3-317902-01		
CHECED : KY. MIDORIKAWA 08.01.23			PART NO.			BM10B(0.8)-*DP-0.4V(51)		
DESIGNED : TH. ARAI 08.01.16			CODE NO.			CL684-****-*-51		
DRAWN : SH. HOSODA 08.01.12								

Feb.1.2017 Copyright 2017 HIROSE ELECTRIC CO., LTD. All Rights Reserved.



STYLE AND DIMENSION OF REEL (FREE SIZE)



PART No.	CODE No.	K	L	M	N
BM10B(0.8)-10DP-0.4V(51)	CL684-6007-5-51	12	5.5	13.5	17.5
BM10B(0.8)-16DP-0.4V(51)	CL684-6047-0-51	16	7.5	17.5	21.5
BM10B(0.8)-20DP-0.4V(51)	CL684-6009-0-51	16	7.5	17.5	21.5
BM10B(0.8)-24DP-0.4V(51)	CL684-6011-2-51	16	7.5	17.5	21.5
BM10B(0.8)-30DP-0.4V(51)	CL684-6013-8-51	16	7.5	17.5	21.5
BM10B(0.8)-34DP-0.4V(51)	CL684-6015-3-51	16	7.5	17.5	21.5
BM10B(0.8)-40DP-0.4V(51)	CL684-6003-4-51	24	11.5	25.5	29.5
BM10B(0.8)-44DP-0.4V(51)	CL684-6039-1-51	24	11.5	25.5	29.5
BM10B(0.8)-50DP-0.4V(51)	CL684-6017-9-51	24	11.5	25.5	29.5
BM10B(0.8)-60DP-0.4V(51)	CL684-6001-9-51	24	11.5	25.5	29.5

**HRS** DRAWING NO. EDC3-317902-01  
 PART NO. BM10B(0.8)-\*DP-0.4V(51)  
 CODE NO. CL684-\*\*\*\*-\*51

2/2