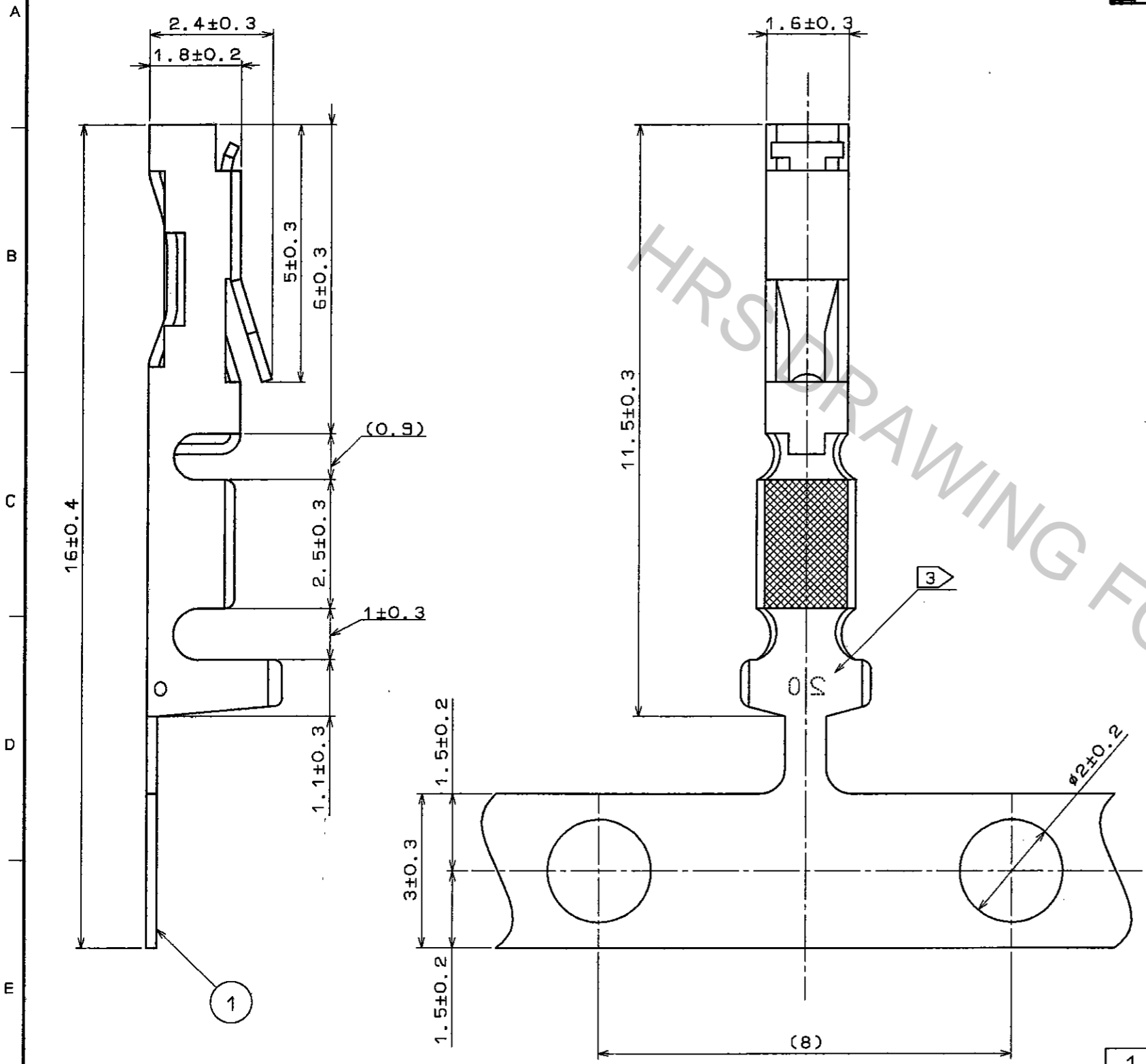


COUNT	DESCRIPTION OF REVISIONS	BY	CHKD	DATE	COUNT	DESCRIPTION OF REVISIONS	BY	CHKD	DATE



NOTE 1 (CARRIER AREA) NICKEL, (OTHERS) 0.2 MICRO METER MIN. GOLD OVER NICKEL.
 2 THE DIMENSION IN A PARENTHESES ARE FOR REFERENCE.
 3 DIGIT NO. "20" IDENTIFICATION.

TO
PCK

1	PHOSPHOR BRONZE	1			
NO.	MATERIAL	FINISH, REMARKS	NO.	MATERIAL	FINISH, REMARKS
CODE NO. (OLD)			DRAWN	DESIGNED	CHECKED
			<i>H. Sakamoto</i>	<i>H. Sakamoto</i>	<i>M. Matsuura</i>
			95.2.21	95.2.21	95.2.21
			APPROVED	RELEASED	
			<i>Z. Yoshimura</i>		
			95.2.22		
DRAWING NO. EDC3-016947			PART NO. HIF3-2022SCF		
SCALE 10:1			CODE NO. CL562-0493-7		
UNITS mm			1/1		