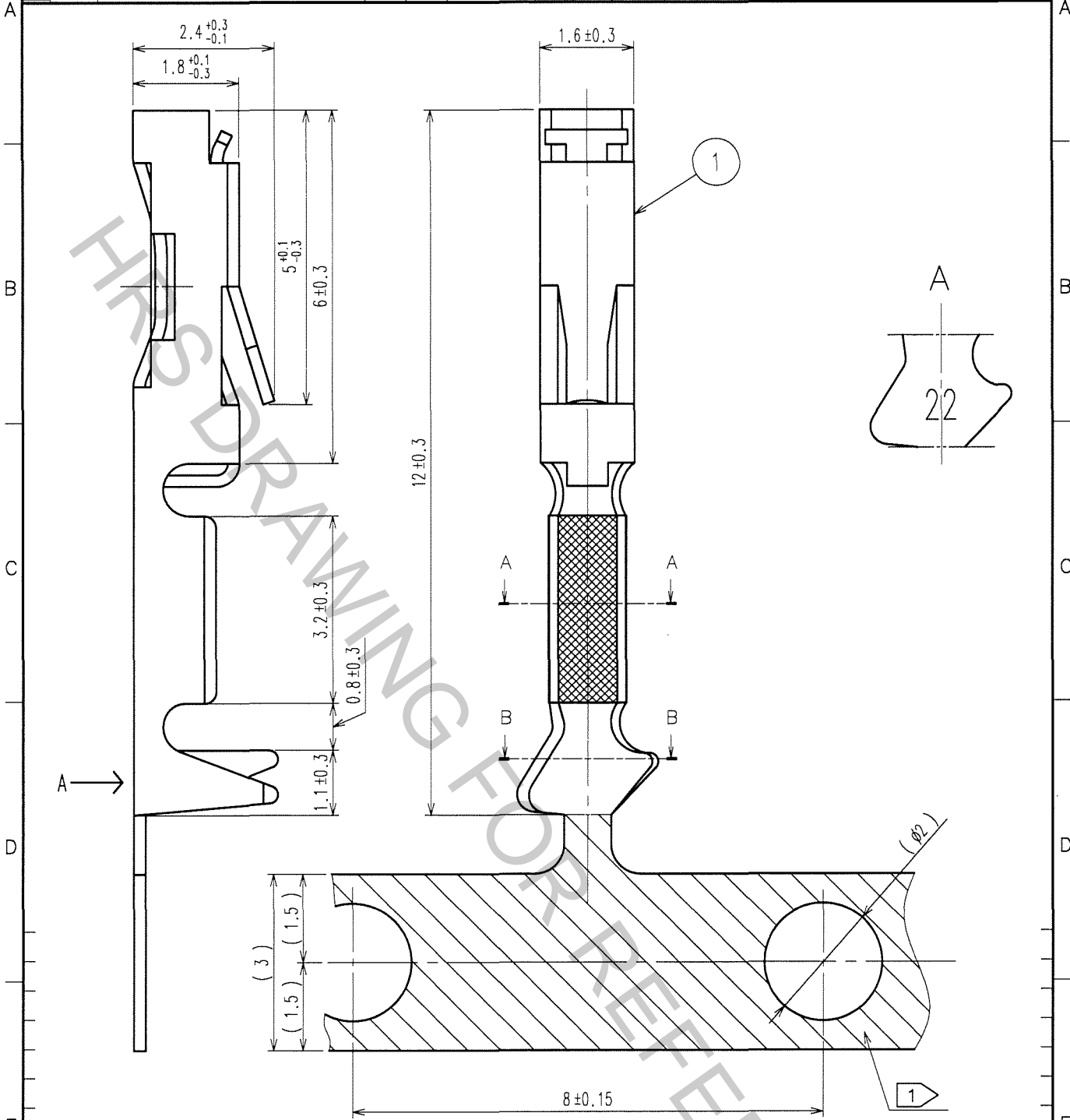


1		2			3			4		
COUNT	DESCRIPTION OF REVISIONS	BY	CHKD	DATE	COUNT	DESCRIPTION OF REVISIONS	BY	CHKD	DATE	
△					△					
△					△					
△					△					



1	PHOSPHOR BRONZE	CONTACT AREA:GOLD 0.2μ m min. BARREL AREA:GOLD FLASH UNDER PLATING:NICKEL 1μ m min.	NOTE	1	AREA:NICKEL FINISHING		
NO.	MATERIAL	FINISH, REMARKS	NO.	MATERIAL	FINISH, REMARKS		
CODE NO. (OLD) CL			DRAWN	DESIGNED	CHECKED	APPROVED	RELEASED
			K.NAKAMURA	K.NAKAMURA	JC Oyama	H. Okawa	
			06.04.13	06.04.13	06.04.14	06.04.17	
DRAWING NO. EDC4-016225		PART NO. HIF3-2226SCF					
CODE NO. CL562-0080-7				1/1			

TO
PCK