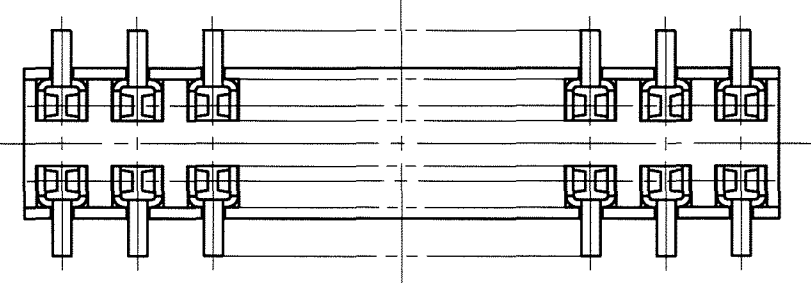
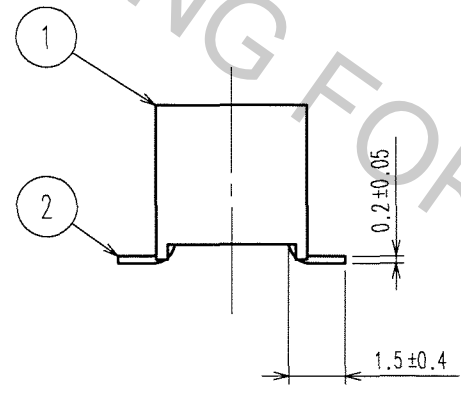
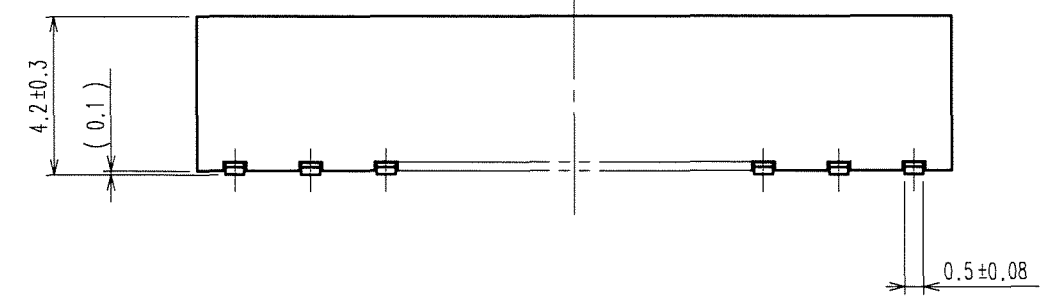
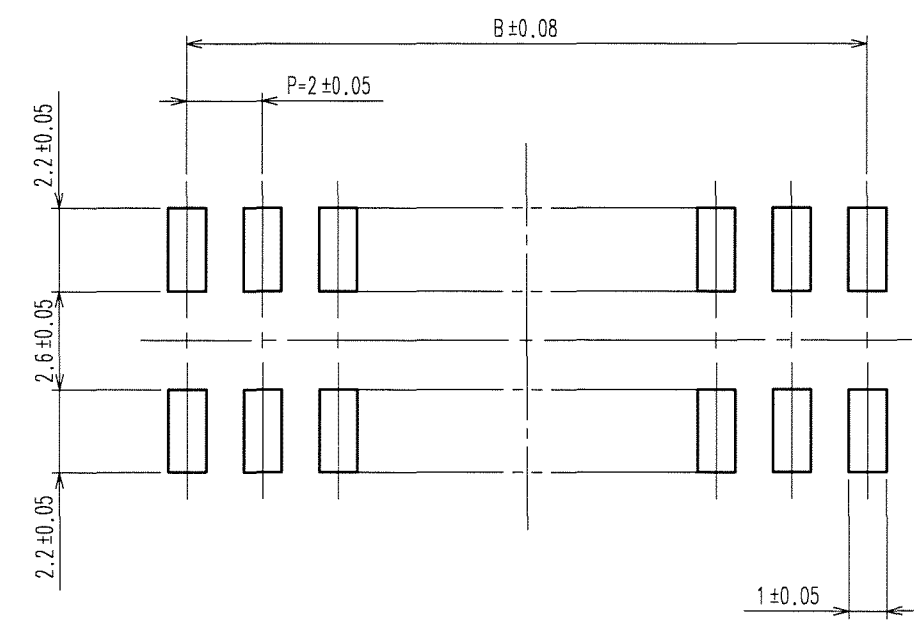
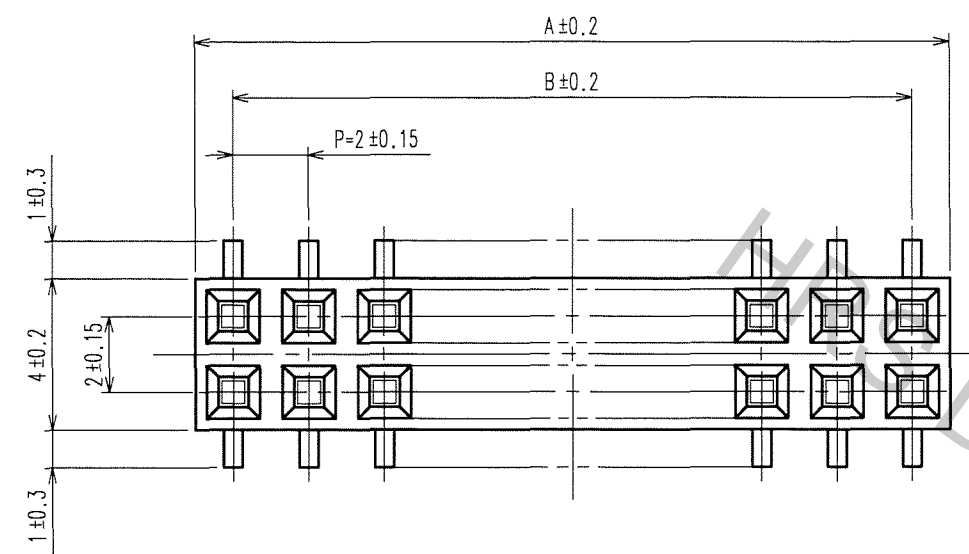


Feb.1.2017 Copyright 2017 HIROSE ELECTRIC CO., LTD. All Rights Reserved.

COUNT	DESCRIPTION OF REVISIONS	BY	CHKD	DATE	COUNT	DESCRIPTION OF REVISIONS	BY	CHKD	DATE
△				..	△				..
△				..	△				..
△				..	△				..

RECOMMENDED LAND PATTERN DIMENSION OF PCB (MOUNTING SIDE)



PART No.	CODE No.	3	A	B
A3-4DA-2SV(71)	CL621-1100-0-71	4	4	2
A3-6DA-2SV(71)	CL621-1101-3-71	6	6	4
A3-8DA-2SV(71)	CL621-1102-6-71	8	8	6
A3-10DA-2SV(71)	CL621-1103-9-71	10	10	8
A3-12DA-2SV(71)	CL621-1104-1-71	12	12	10
A3-14DA-2SV(71)	CL621-1105-4-71	14	14	12
A3-16DA-2SV(71)	CL621-1106-7-71	16	16	14
A3-20DA-2SV(71)	CL621-1108-2-71	20	20	18
A3-24DA-2SV(71)	CL621-1110-4-71	24	24	22
A3-28DA-2SV(71)	CL621-1112-0-71	28	28	26
A3-32DA-2SV(71)	CL621-1114-5-71	32	32	30

NOTE 1 LEAD CO-PLANARITY SHALL BE 0.15 MAX.  
 2 THE DIMENSIONS IN PARENTHESES ARE FOR REFERENCE.  
 3 NUMBER OF CONTACT.

TO  
PCK

1	PPS	LIGHT BROWN / UL94 V-0	2	PHOSPHOR BRONZE	CONTACT AREA:GOLD 0.2μ m min. LEAD AREA:TIN-PLATING 1μ m min. UNDER PLATING:NICKEL 1μ m min.	
NO.	MATERIAL	FINISH, REMARKS	NO.	MATERIAL	FINISH, REMARKS	
CODE NO. (OLD)		DRAWN	DESIGNED	CHECKED	APPROVED	RELEASED
		A.SUZUKAWA	H. Nakamura	M. Ogawa	H. Okawa	
		'06.05.09	'06.05.10	'06.05.10	'06.05.10	
DRAWING NO.		PART NO.				
EDC3-082603-21		A3-*DA-2SV(71)				
SCALE		CODE NO.				
FREE		CL621				
UNITS						
mm						