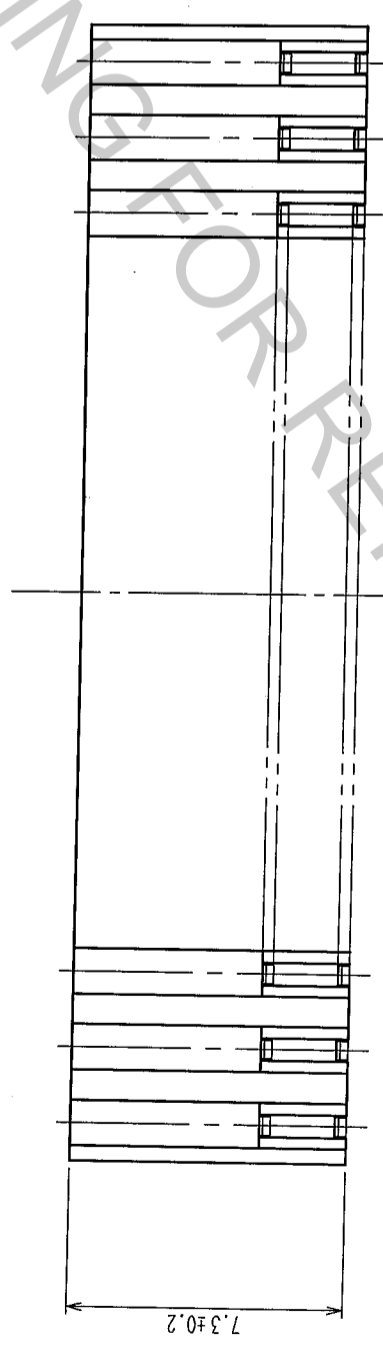
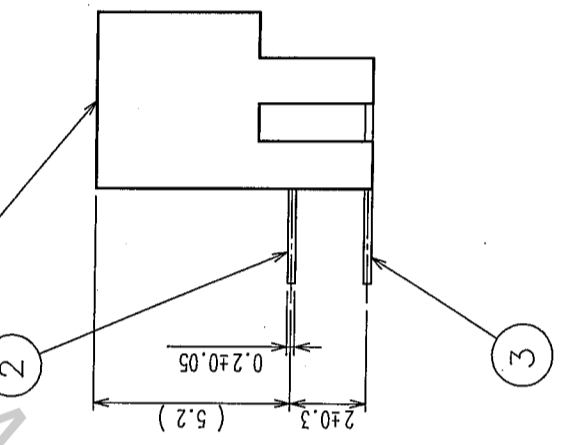
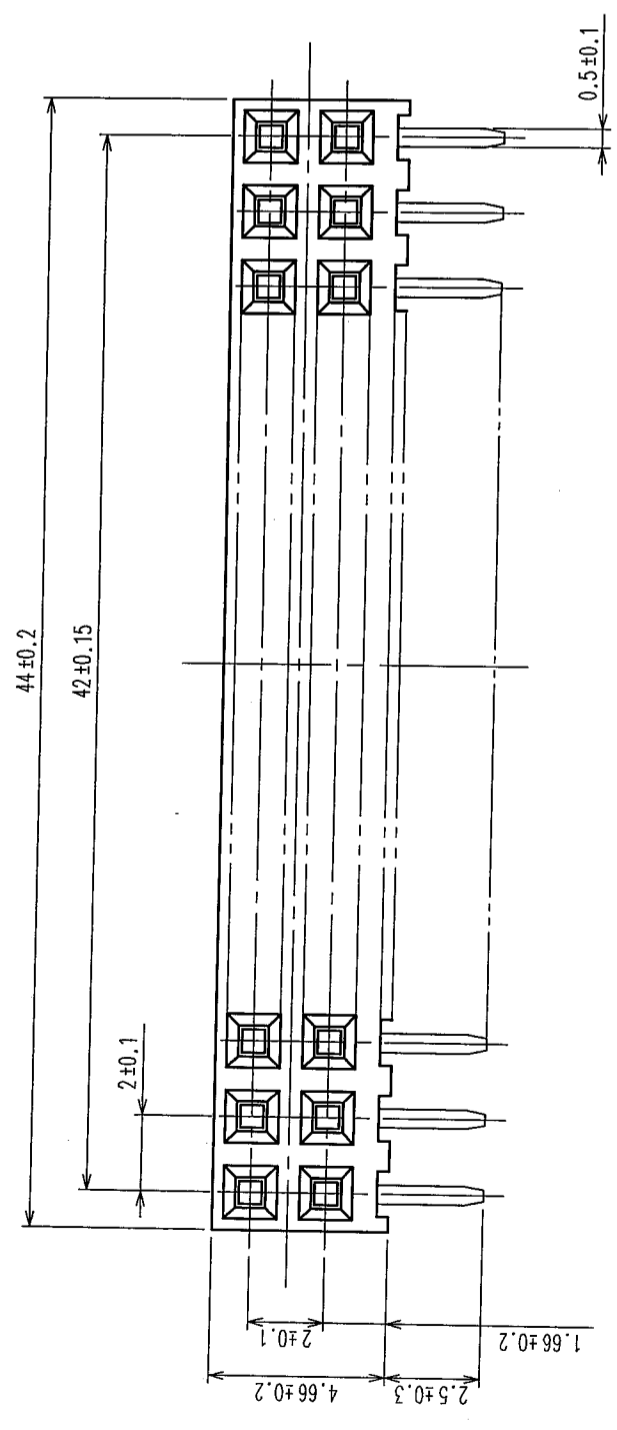
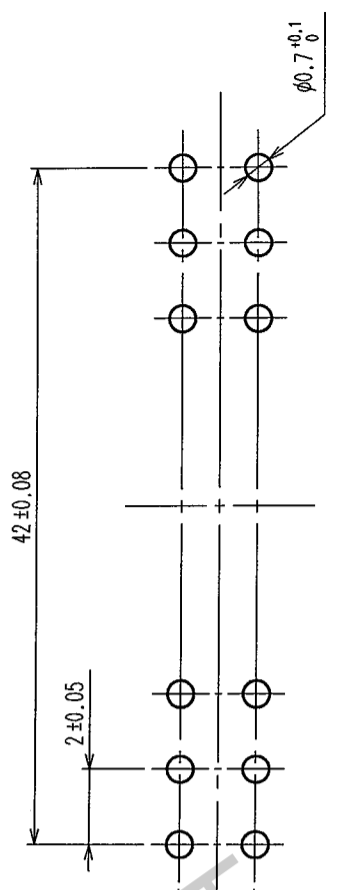


COUNT	DESCRIPTION OF REVISIONS	BY	CHKD	DATE	COUNT	DESCRIPTION OF REVISIONS	BY	CHKD	DATE
△					△				
△					△				
△					△				

RECOMMENDED PC BOARD HOLE PATTERN
(MOUNTING SIDE)



NOTES 1 THE CONTACT CUT SECTION IS UNPLATED
2 THE DIMENSIONS IN PARENTHESES ARE FOR REFERENCE.

NO.	MATERIAL	FINISH, REMARKS	NO.	MATERIAL	FINISH, REMARKS
1	PBT	BLACK UL94V-0	2-3	BRASS	
CODE NO. (OLD) CL			CONTACT AREA: GOLD PLATING 0.2μm min DIP AREA: TIN PLATING 1μm min UNDER PLATING: NICKEL 1μm min		
DRAWN K. Doi '04.12.02		DESIGNED K. Doi '04.12.02		CHECKED K. Doi '04.12.02	
SCALE FR:EE		PART NO. A3-44DA-2DS(71)		APPROVED K. Doi '04.12.02	
UNITS mm		DRAWING NO. EDC3-082296-21		RELEASED	
		HIROSE ELECTRIC CO., LTD			
		CODE NO. CL621-0711-9-71			

TO
PCK