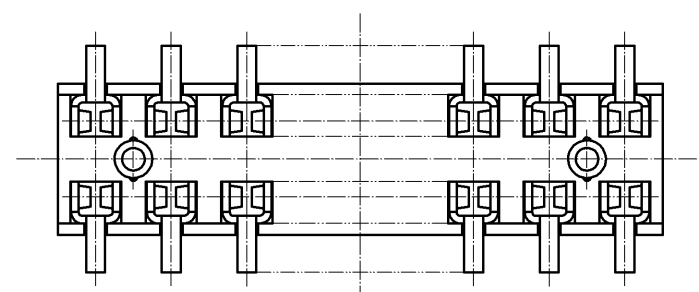
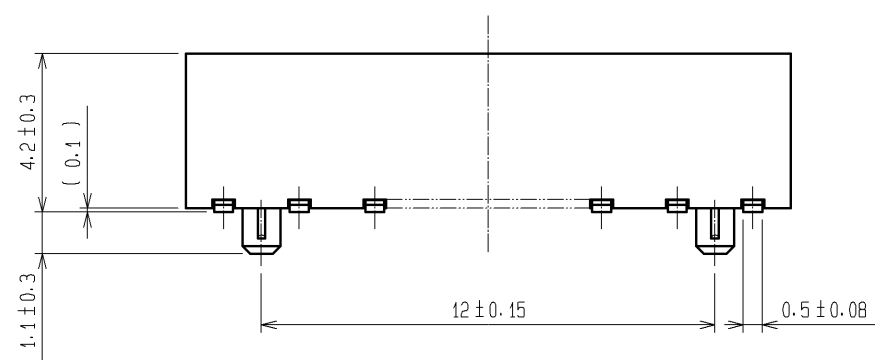
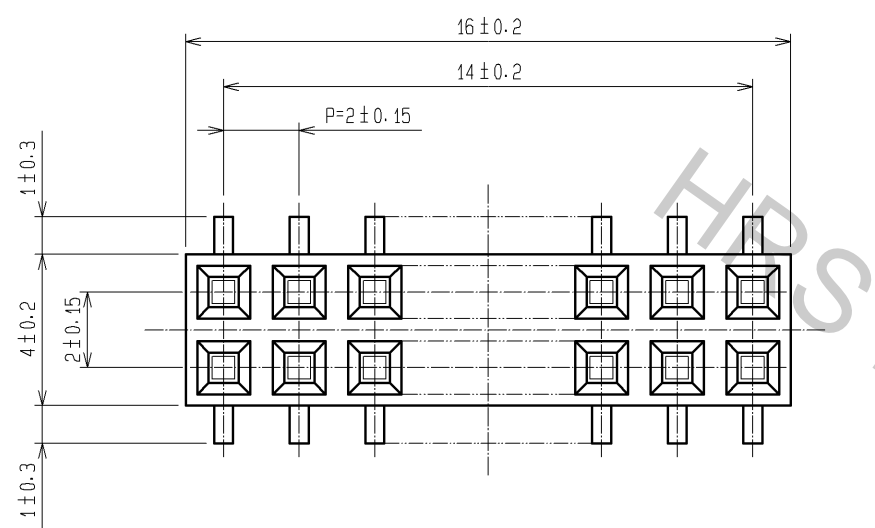
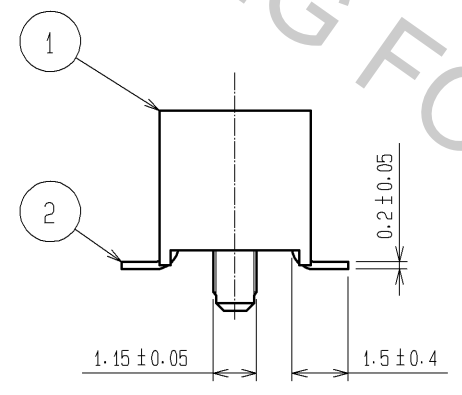
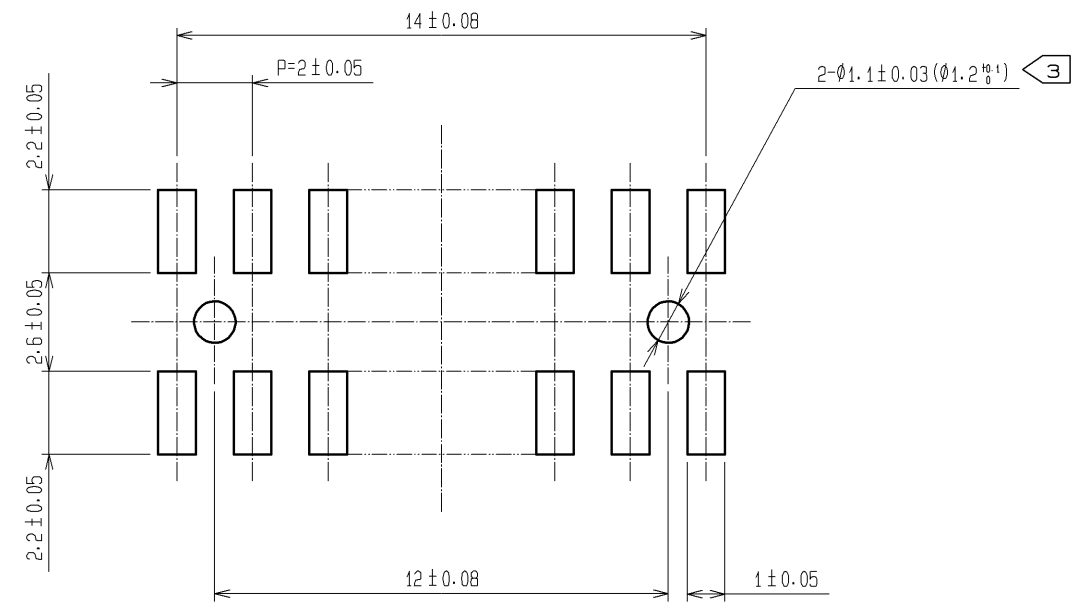


Feb.1.2017 Copyright 2017 HIROSE ELECTRIC CO., LTD. All Rights Reserved.



RECOMMENDED LAND PATTERN DIMENSION OF PCB (MOUNTING SIDE)(FREE)  
(RECOMMENDED METAL MASK THICKNESS:0.2mm)



NOTE 1 LEAD CO-PLANARITY SHALL BE 0.15 MAX.  
2 THE DIMENSIONS IN PARENTHESES ARE FOR REFERENCE.  
3 FOR AUTOMATED MOUNTING, RECOMMENDED THROUGH HOLE DIAMETER OF BOSS IS 1.2%1.

1	PPS	LIGHT BROWN / UL94 V-0	2	PHOSPHOR BRONZE	CONTACT AREA:GOLD 0.2µm min. LEAD AREA:TIN-PLATING 1µm min. UNDER PLATING:NICKEL 1µm min.
NO.	MATERIAL	FINISH . REMARKS	NO.	MATERIAL	FINISH . REMARKS
UNITS mm		SCALE 5 : 1	COUNT 	DESCRIPTION OF REVISIONS	DESIGNED
		APPROVED : HS. OKAWA	12.01.06	DRAWING NO.	EDC3-082679-21
HIROSE ELECTRIC CO., LTD.		CHECKED : HT. YAMAGUCHI	12.01.06	PART NO.	A3A-16DA-2SV(71)
		DESIGNED : YJ. ASAO	12.01.06	CODE NO.	CL621-1146-1-71
		DRAWN : YJ. ASAO	12.01.06		