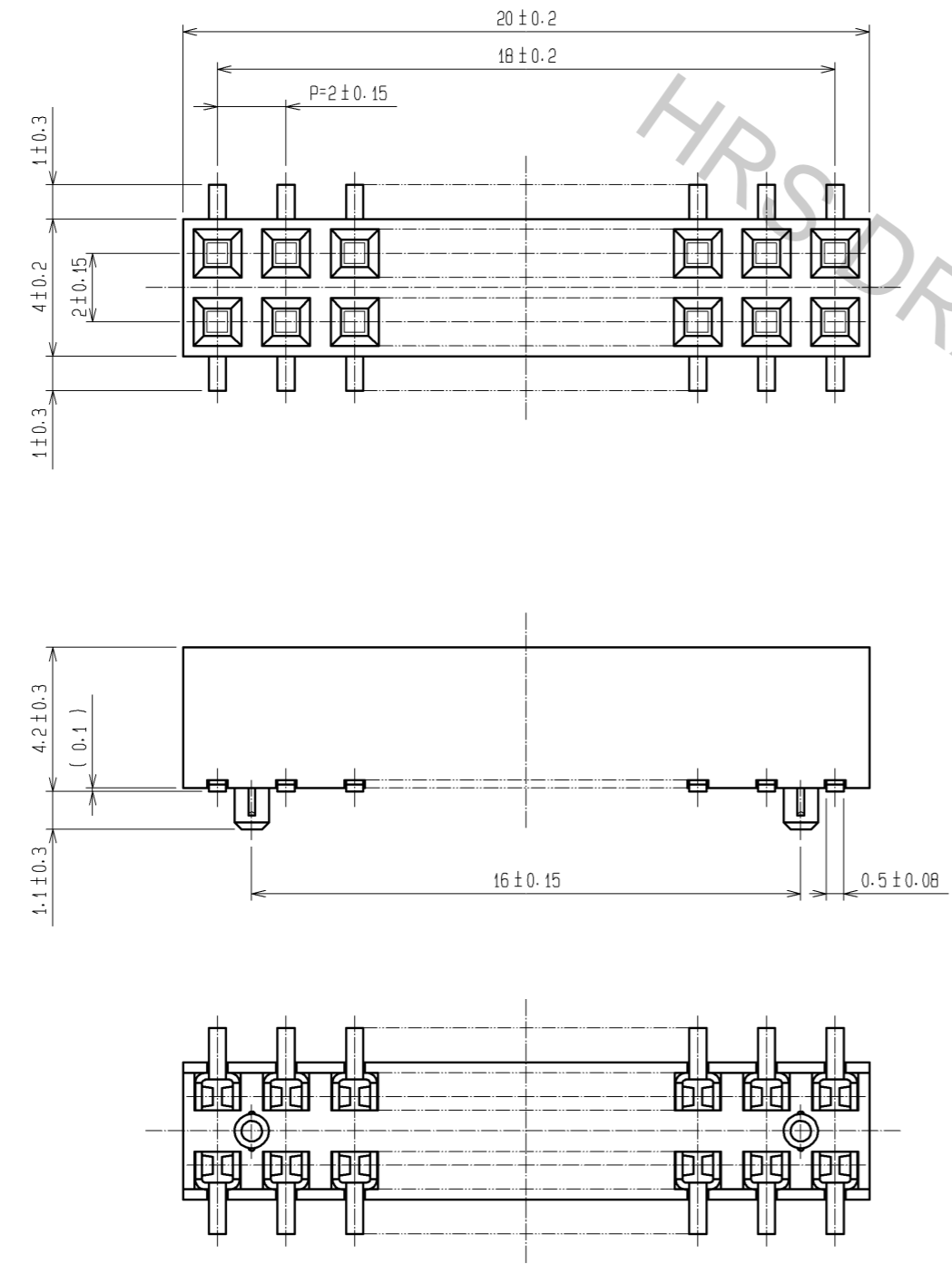
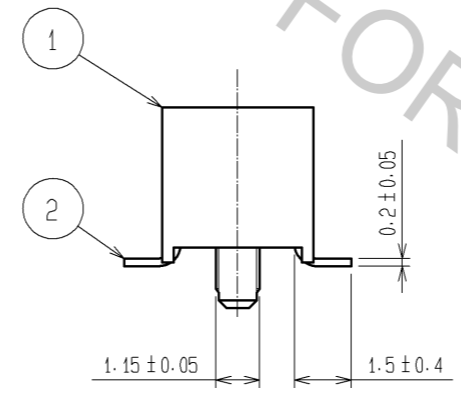
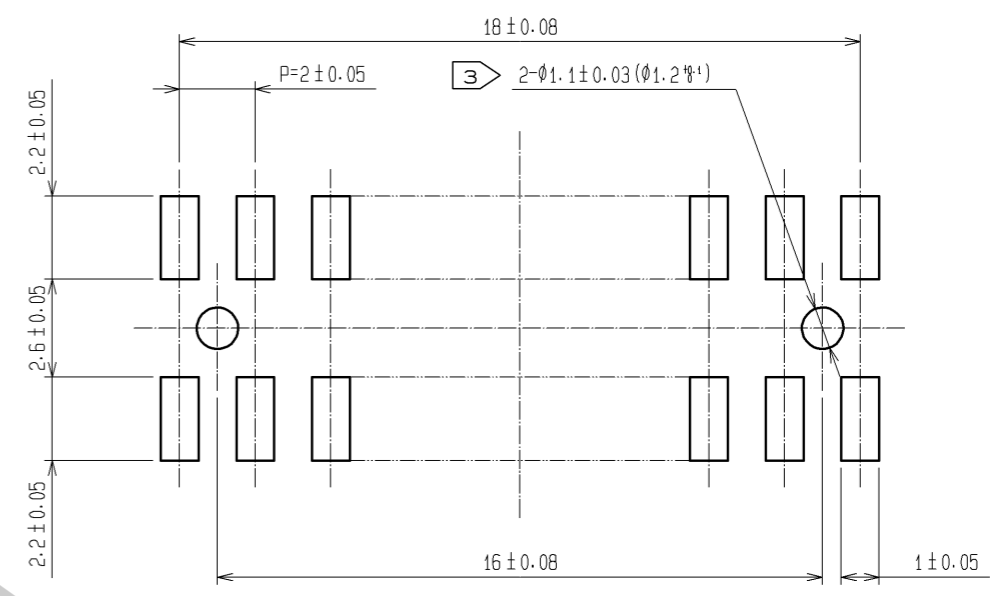


Feb.1.2017 Copyright 2017 HIROSE ELECTRIC CO., LTD. All Rights Reserved.



RECOMMENDED LAND PATTERN DIMENSION OF PCB (MOUNTING SIDE)  
(RECOMMENDED METAL MASK THICKNESS:0.2mm)



NOTE 1 LEAD CO-PLANARITY SHALL BE 0.15 MAX.  
2 THE DIMENSIONS IN PARENTHESES ARE FOR REFERENCE.  
3 FOR AUTOMATED MOUNTING, RECOMMENDED THROUGH HOLE DIAMETER OF BOSS IS 1.2±0.1.

1	PPS	LIGHT BROWN / UL94V-0	2	PHOSPHOR BRONZE	CONTACT AREA:GOLD 0.2µm min. LEAD AREA:TIN-PLATING 1µm min. UNDER PLATING:NICKEL 1µm min.		
NO.	MATERIAL	FINISH . REMARKS	NO.	MATERIAL	FINISH . REMARKS		
UNITS mm		SCALE 5 : 1	COUNT 	DESCRIPTION OF REVISIONS	DESIGNED	CHECKED	DATE
<b>HRS</b> HIROSE ELECTRIC CO., LTD.		APPROVED : HS. OKAWA	13. 02. 08	DRAWING NO. EDC3-082680-21			
		CHECKED : HT. YAMAGUCHI	13. 02. 08	PART NO. A3A-20DA-2SV(71)			
		DESIGNED : KJ. NISHIWAKI	13. 02. 08	CODE NO. CL621-1148-7-71			
		DRAWN : CR. TAKESHIMA	13. 02. 08			1/1	