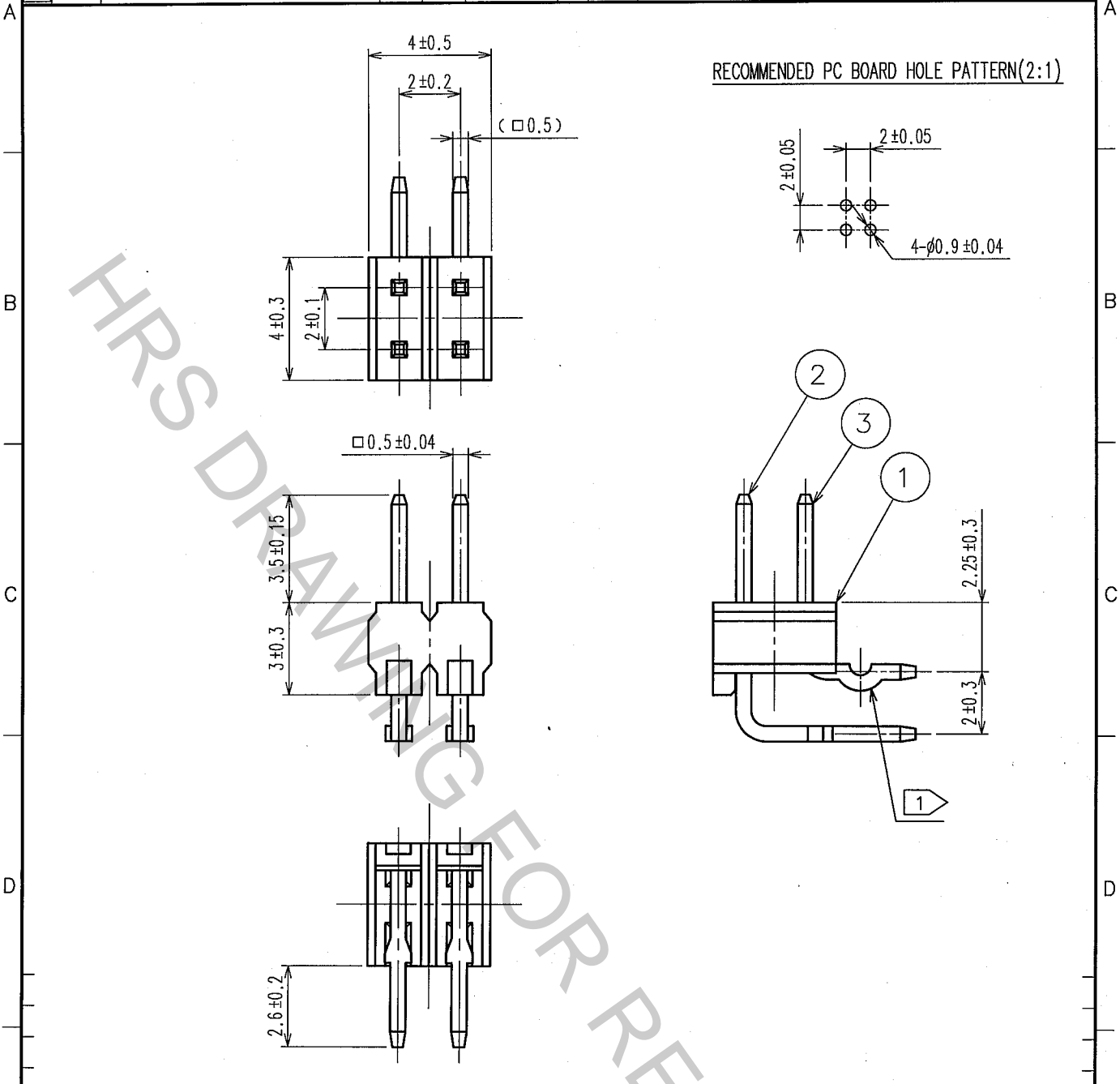


| 1     |                          |  |  |  | 2  |      |      |       |                          | 3 |  |  |    |      | 4    |  |  |  |  |
|-------|--------------------------|--|--|--|----|------|------|-------|--------------------------|---|--|--|----|------|------|--|--|--|--|
| COUNT | DESCRIPTION OF REVISIONS |  |  |  | BY | CHKD | DATE | COUNT | DESCRIPTION OF REVISIONS |   |  |  | BY | CHKD | DATE |  |  |  |  |
| △     |                          |  |  |  |    |      |      | △     |                          |   |  |  |    |      |      |  |  |  |  |
| △     |                          |  |  |  |    |      |      | △     |                          |   |  |  |    |      |      |  |  |  |  |
| △     |                          |  |  |  |    |      |      | △     |                          |   |  |  |    |      |      |  |  |  |  |



| 1                                | POLYAMIDE | BLACK UL94V-0   | 2,3                               | BRASS                                | CONTACT AREA : GOLD FLASH<br>DIP AREA : TIN-PLATING 2μ m min.<br>UNDER PLATING : NICKEL 2.5μ m min. |                                   |          |
|----------------------------------|-----------|-----------------|-----------------------------------|--------------------------------------|---|-----------------------------------|----------|
| NO.                              | MATERIAL  | FINISH, REMARKS | NO.                               | MATERIAL                             | FINISH, REMARKS   |                                   |          |
| CODE NO. (OLD)<br>CL             |           |                 | DRAWN<br>A. SUZUKAWA<br>'06.09.27 | DESIGNED<br>K. Nakamura<br>'06.09.27 | CHECKED<br>C. Ozawa<br>'06.09.27  | APPROVED<br>H. Okawa<br>'06.09.27 | RELEASED |
| DRAWING NO.<br>EDC4-080110-21    |           |                 | PART NO.<br>A3B-4PA-2DS(71)       |                                      |   |                                   |          |
| HRS<br>HIROSE ELECTRIC CO., LTD. |           |                 | CODE NO.<br>CL621-0351-5-71       |                                      |   | 1<br>1                            |          |

|    |
|----|
| TO |
|    |
|    |
|    |