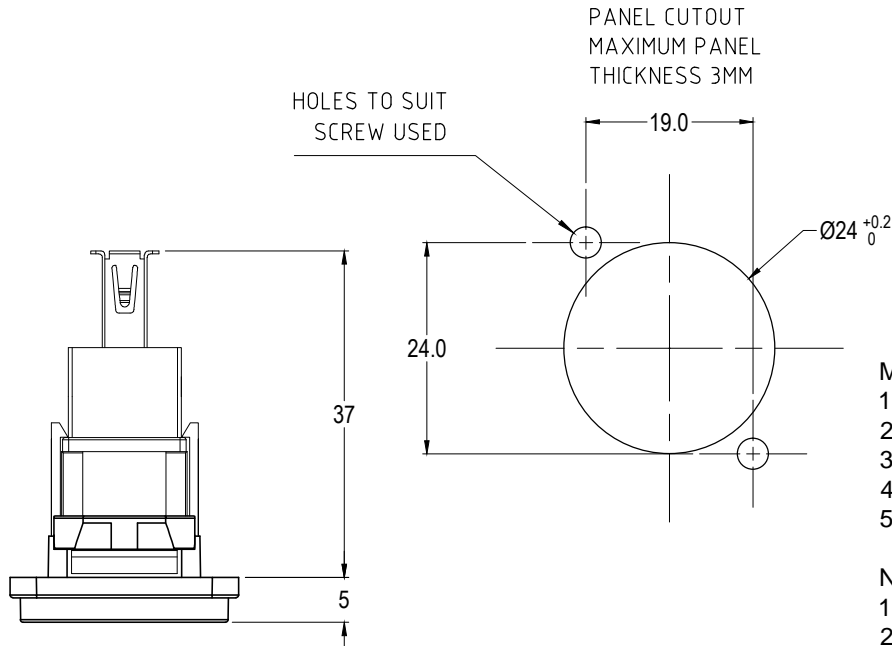


ISS.	AMEND	DATE
1	ISSUED	12/02/2015



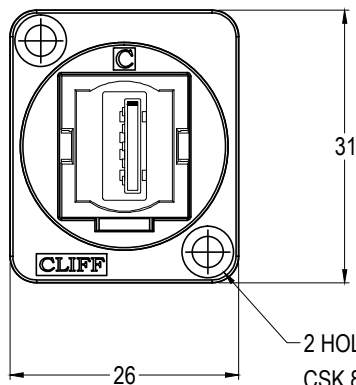
Material:

1. Insert: ABS
2. Frame: Polyamide UL94V-2
3. Shell: Nickel plated steel
4. Contacts: Gold Plated
5. UL94V-2

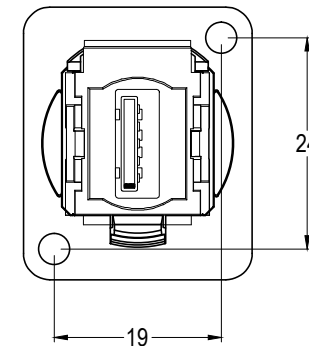
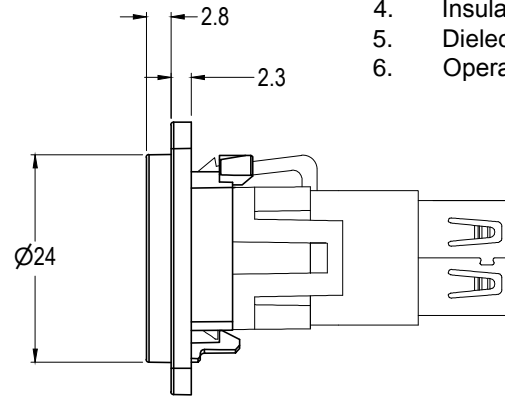
Notes:

1. Voltage rating: 30V ac
2. Current rating: 1.5 A max
3. Contact resistance: 50mΩ max
4. Insulation resistance: 20MΩ min
5. Dielectric withstanding voltage: 500V AC
6. Operating Temperature: -20°C to 50°C

VARIANTS	
PART NO.	HOLE DETAILS
CP30208N	HOLE Ø3.50 X CSK 82° X Ø5.85
CP30208NX	PLAIN HOLE Ø2.50



2 HOLES: Ø3.5MM
CSK 82° X Ø5.85
'X' VERSION HAS Ø2.5
HOLES.



RoHS
COMPLIANT

TOLERANCE
NO DEC. PLACE ±
1 DEC. PLACE ±
2 DEC. PLACE ±
HOLE Ø ±
ANGLES ±
UNLESS
OTHERWISE STATED

DO NOT SCALE

Cliff Electronic Components Ltd.

76 Holmehorpe Avenue, Holmehorpe Industrial Estate,
Redhill, Surrey, RH1 2PF, England, UK
Tel: 01737-771375 Fax: 01737-766012 Website: www.cliffuk.co.uk

DIMENSIONS IN MILLIMETERS UNLESS OTHERWISE STATED. WORK TO DIMENSIONS. REMOVE ALL BURRS. IF IN DOUBT ASK.

3rd ANGLE PROJECTION:

MATERIAL: See Notes

FINISH: See Notes

DRAWN: D.P.J.

APPROVED: D.P.J.

TITLE: FEED THROUGH USB 2.0 A to USB 2.0 A, Nickel Plated

DRWG. No. CP30208N

FORM: A4DRWGH