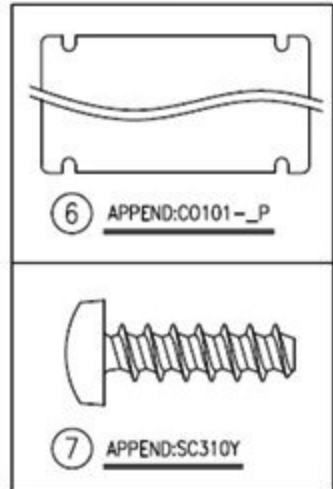
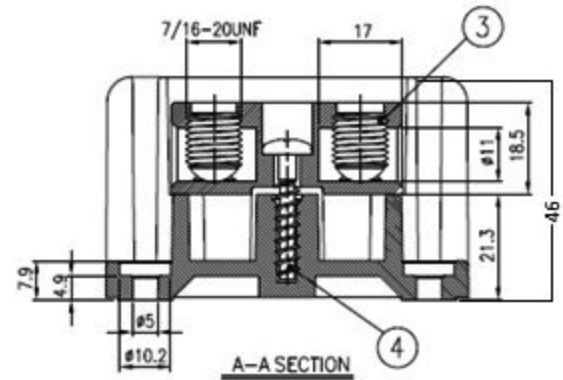
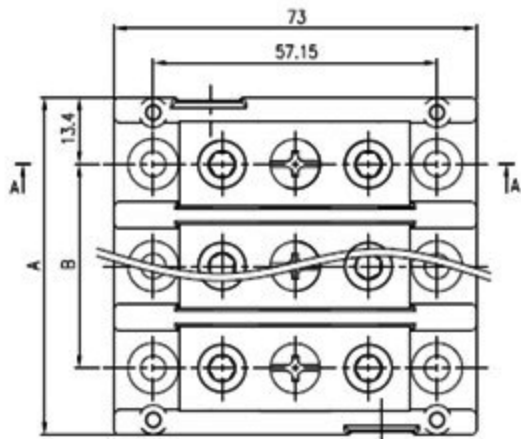
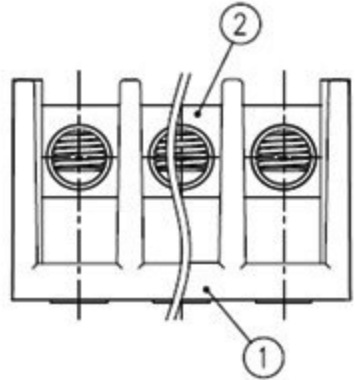
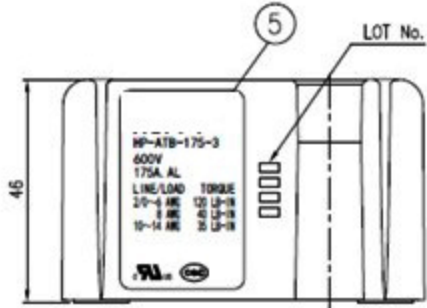


Dimension	Dimensional tolerance										
	Linear dimension					Roundness and chamfer					Angle
	With in 3	Over to 3	Over to 30	Over to 120	Over 120	With in 3	Over to 3	Over to 3	Over to 3	Over to 3	
Tolerance	±0.2	±0.3	±0.5	±0.8	±1.2	±0.4	±1	±2	±3		



SPECIFICATIONS	
VOLTAGE RATINGS:	600V
CURRENT RATINGS:	175A
CONDUCTORS:	ALUMINUM
MATERIALS:	PF UL94V-0
SUITABLE WIRE:	
LINE:	2/0~14 AWG CU
LOAD:	2/0~14 AWG CU
WIRING TORQUE:	
LINE:	
	2/0~6 AWG 120 LB-IN
	8 AWG 40 LB-IN
	10~14 AWG 35 LB-IN
LOAD:	
	4~14 AWG 26 LB-IN
CERTIFICATION MARKING:	CQC UL CUL



LINE	1P	2P	3P
SPACING A	25.25	47.4	68
SPACING B		20.6	41.2

No.	PART No.	BOM						
1	HP-ATB-175-3_P-CL1	1	2	3-1	4	5	6	7

7	SCREW	SS ; 3x1.34Px10L	4	303 PLATED	SC310Y	APPEND
6	COVER	PC ; UL94V-2 t1.5	1		C0101-_P	APPEND
5	LABEL	PAPER ; 40X25	1		U2000-11	
4	SCREW	SS ; 5x2.24Px25L	P	303 PLATED	SC304Y	
3-2	SCREW	SS ; 7/16-20UNF	2P	303 PLATED	SC392-2Y	HEX 5
3-1	SCREW	ALUMINUM ; 7/16-20UNF	2P	Sn PLATED	SC303	HEX 3/16
2	CONDUCTORS	ALUMINUM AL6061	P	Sn PLATED	ALB-3	
1	BASE	PF ; UL94V-0	1	94V-0	HP-175-3	BLACK

No.	DATE	CONTENT	REVISOR	APPROVER	NO.	PART NAME	MATERIAL	Q'TY	FINISH	PART NO.	REMARK
SCALE		1/1	DIM. mm		DRAWN BY		CHECKED BY	APPROVED BY	TITLE		
					L.F.		L.W.S.	L.W.S.	TERMINAL BLOCK		
BlockMaster Electronics						16.09.06		16.09.06	16.09.06		DWG NO.
											HP-ATB-175-3-_P-_L_ (HO)