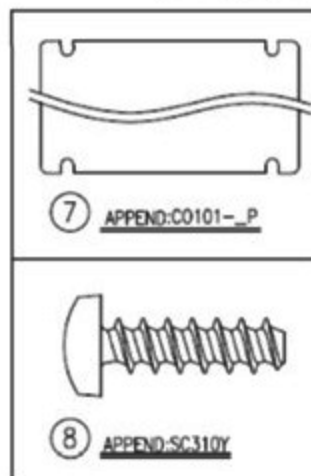


No.	PART No.	BOM							
1	HP-ATB-175-2_P-CL1	1	2	3-1	4-1	5	6	7	8

Dimension	Dimensional tolerance											
	Linear dimension						Roundness and chamfer/angle					
	With	Over	Over	Over	Over	Over	With	Over	Over	Over	Over	Over
Tolerance	±0.2	±0.3	±0.5	±0.8	±1.2	±0.4	±1	±2	±3	±4	±5	±6



SPECIFICATIONS	
VOLTAGE RATINGS:	600V
CURRENT RATINGS:	175A
CONDUCTORS:	ALUMINUM
MATERIALS:	PF UL94V-0
SUITABLE WIRE:	
LINE:	2/0-14 AWG CU
LOAD:	4-14 AWG CU
WIRING TORQUE:	
LINE:	
2/0-6 AWG	110 LB-IN
8 AWG	40 LB-IN
10-14 AWG	35 LB-IN
LOAD:	
4-14 AWG	26 LB-IN
CERTIFICATION MARKING:	CCC UL CUL

LINE NO	P	1P	2P	3P
SPRING A		25.25	47.4	68
SPRING B			20.6	41.2

8	SCREW	SS ; 3x1.34Px10L	4	UNPLATED	SC310Y	APPEND
7	COVER	PC ; UL94V-2 t1.5	1		C0101-_P	APPEND
6	LABEL	PAPER ; 40X25	1		U2000-2	
5	SCREW	SS ; 5x2.24Px25L	P	UNPLATED	SC304Y	
4-2	SCREW	SS ; 1/4-28UNF	4P	UNPLATED	SC308-1Y	HEX 1/8
4-1	SCREW	SS ; 1/4-28UNF	4P	UNPLATED	SC308Y	SLOT
3-2	SCREW	SS ; 7/16-20UNF	P	UNPLATED	SC392-2Y	HEX 5
3-1	SCREW	ALUMINUM ; 7/16-20UNF	P	Sn PLATED	SC303	HEX 3/16
2	CONDUCTORS	ALUMINUM AL6061	P	Sn PLATED	ALB-2	

No.	DATE	CONTENT	DESIGNER	APPROVED	NO.	PART NAME	MATERIAL	Q'TY	FINISH	PART NO.	REMARK	
SCALE	1/1	Dim.	mm		DRAWN BY	CHECKED BY	APPROVED BY	TITLE				
BlockMaster Electronics								TERMINAL BLOCK				
								L.F.	L.W.S.	L.W.S.		
								16.09.05	16.09.05	16.09.05	HP-ATB-175-2-_P-_L (HO)	