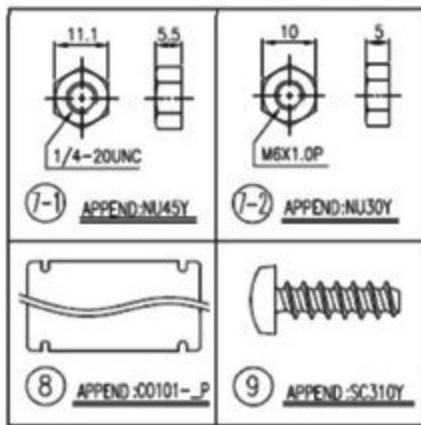
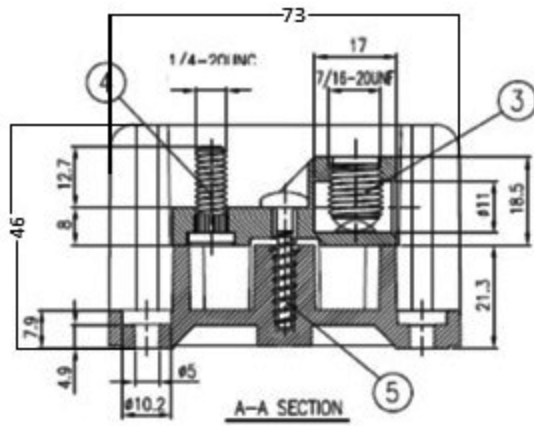
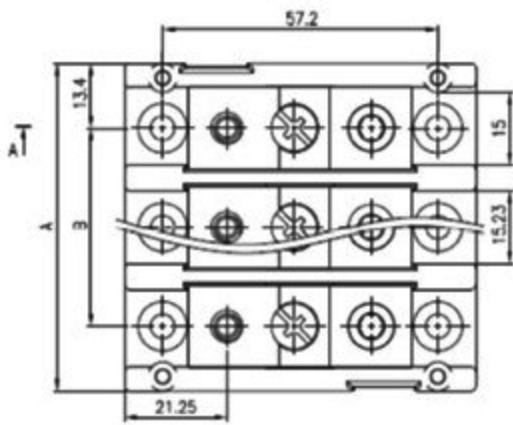


Dimension	Dimensional tolerance												
	Linear dimension						Roundness and chamfer Angle						
	Max	Min	Over	Under	Over	Under	Max	Min	Over	Under	Over	Under	
Tolerance	±0.2	±0.3	±0.5	±0.8	±1.2	±0.4	±1	±2	±3				

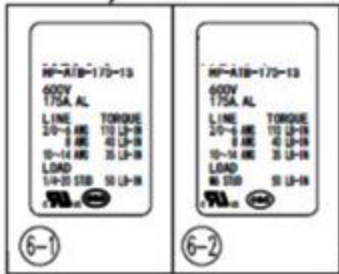
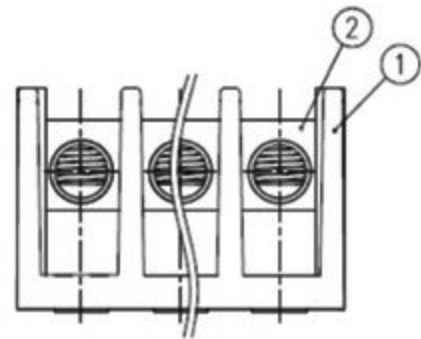
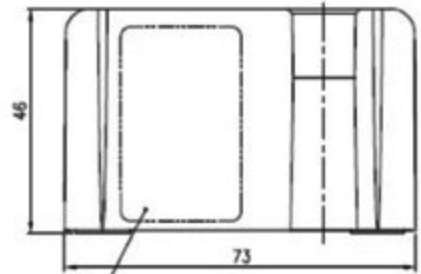


SPECIFICATIONS

VOLTAGE RATINGS: 600V
 CURRENT RATINGS: 175A
 CONDUCTORS: ALUMINUM
 MATERIALS: PF UL94V-0
 SUITABLE WIRE:
 LINE: 2/0-14 AWG CU
 LOAD: 1/4-20 STUD

WIRING TORQUE:
 LINE:
 2/0-6 AWG 110 LB-IN
 8 AWG 40 LB-IN
 10-14 AWG 35 LB-IN
 LOAD:
 1/4 STUD 50 LB-IN

CERTIFICATION MARKING: UL CUL CQC



No.	PART No.	BOM								
1	HP-ATB-175-1-P-CL151	1	2	3-1	4-1	5	6-1	7-1	8	9

LINE NUMBER	P	1P	2P	3P
SPACING A		25.25	47.4	68
SPACING B			20.6	41.2

QTY	FINISH	PART NO.	REMARK
4	30 ³ PHUB	SC310Y	APPEND
1		CO101-P	APPEND
P	30 ³ PHUB	NU30Y	APPEND
P	30 ³ PHUB	NU45Y	APPEND
1		LA2000-14	
1		LA2000-1	
P	30 ³ PHUB	SC304Y	
P	30 ³ PHUB	SC302-2Y	
P	30 ³ PHUB	SC302Y	
P	30 ³ PHUB	SC392-2Y	HEX 5
P	5 ⁶ PLATED	SC303	HEX 3/16
P	5 ⁶ PLATED	ALB-1	
1		WB-05-F	BLACK

SCALE 1/1 DIM. mm

BlockMaster Electronics

DRAWN BY	CHECKED BY	APPROVED BY	TITLE	TERMINAL BLOCK
L.F.	L.W.S.	L.W.S.		
16.09.19	16.09.19	16.09.19	DWG NO.	HP-ATB-175-1-P-CL (HO)